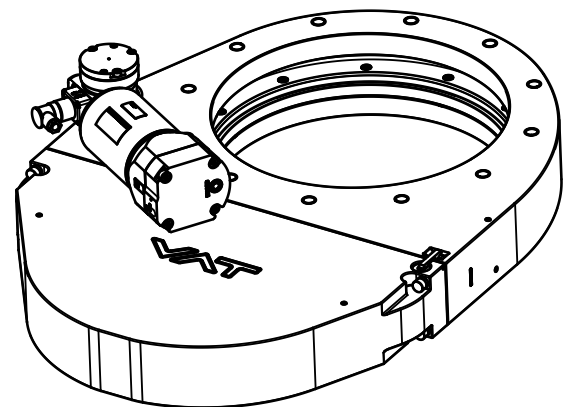
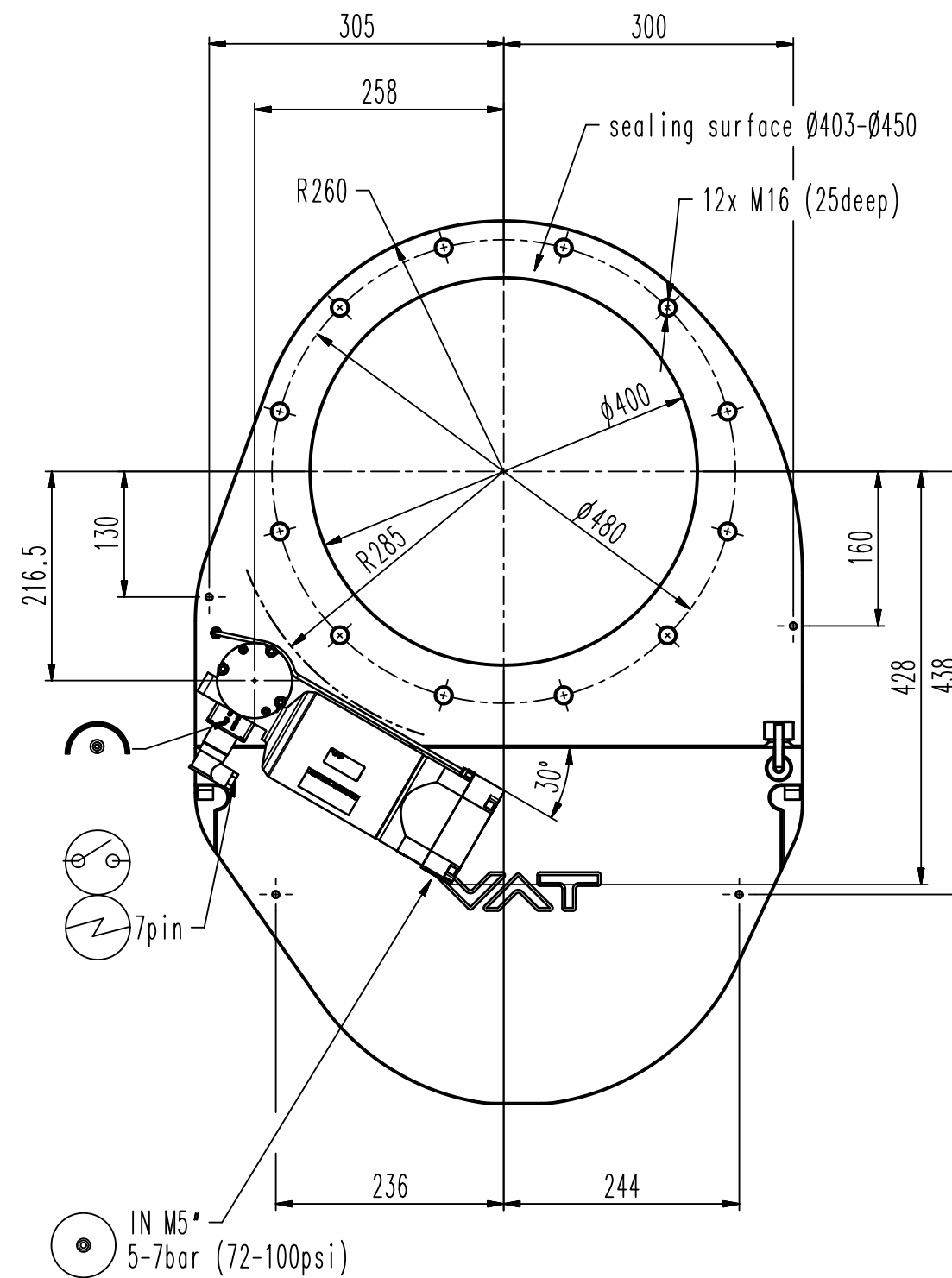
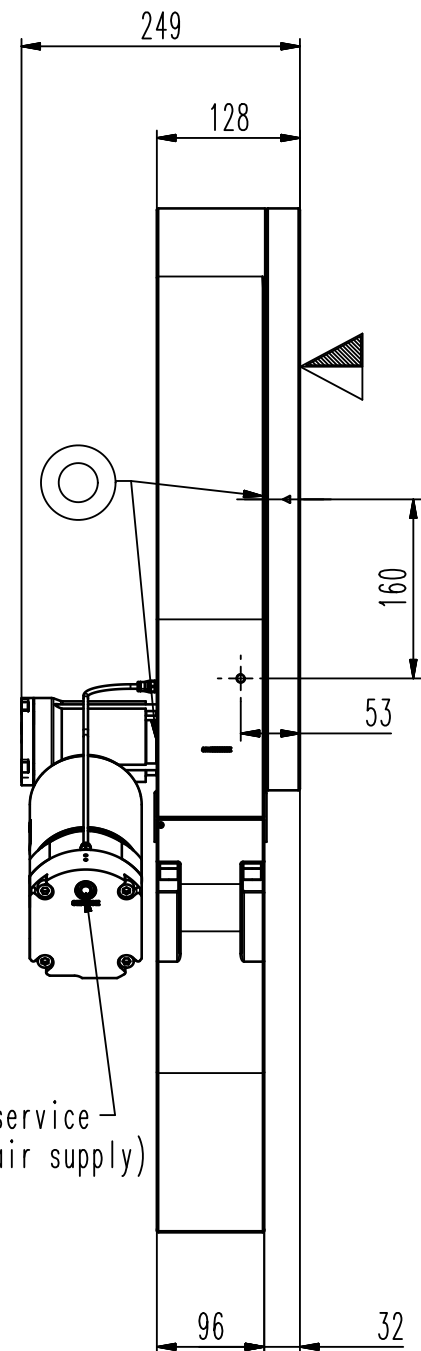
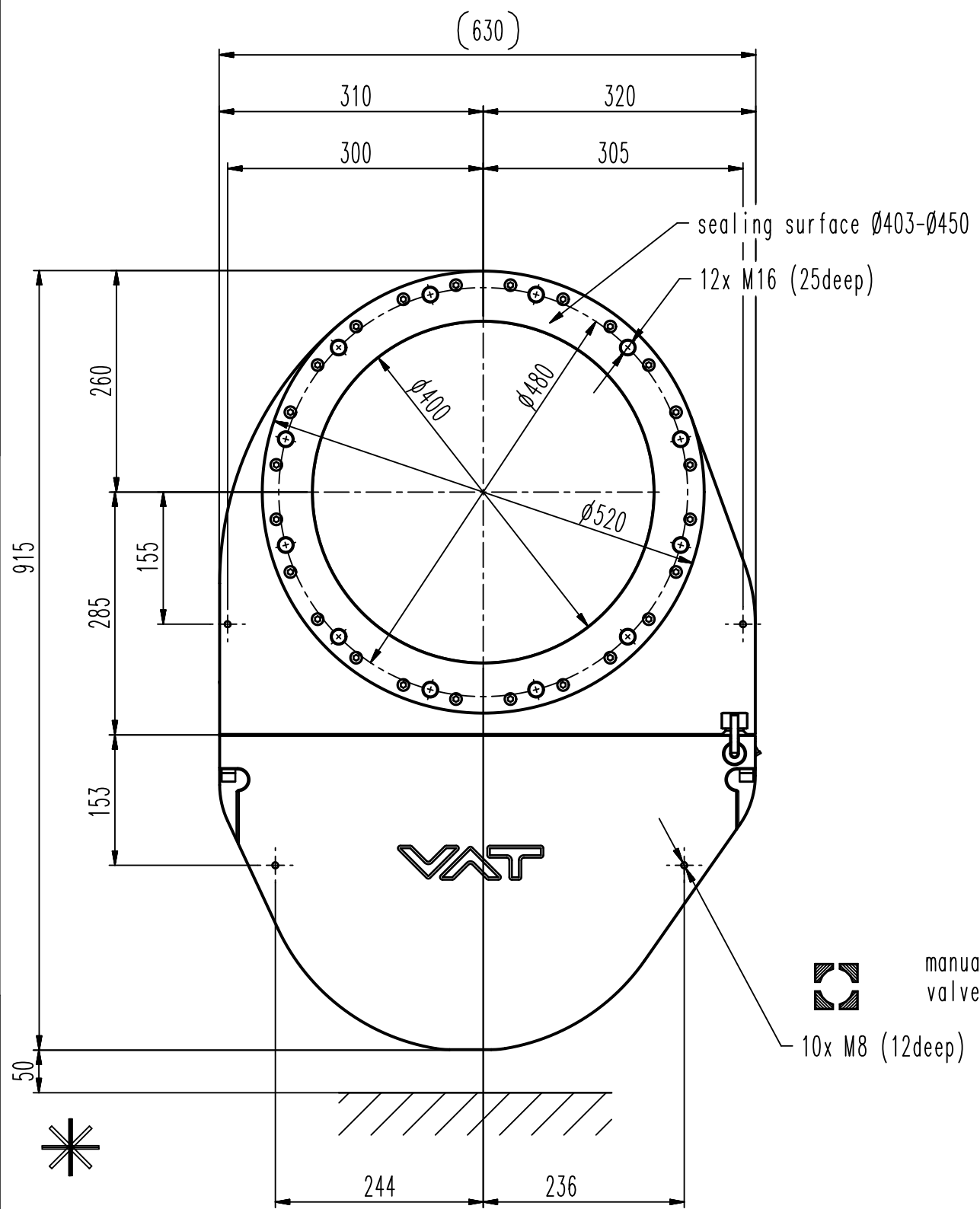


This drawing is the property of VAT.

Revision

Customer number



- ▼ Seat side
- ☉ Comp. air connection
- ⚡ Electrical connection
- ⊙ Leak detection port
- ⊙ Mech. pos. indication
- ⊙ Position indicator
- ⊙ Required for dismantling
- ⊙ Emergency actuation
- ⊙ For attachment
- ⊙ Bake-out area
- ⊙ Differential pumping port

Pendulum valve



VAT Vakuumentile AG
 CH-9469 Haag, Switzerland
 Tel ++41 81 7716161 Fax ++41 81 7714830

Rev.-Date: 18.11.09
 Visa: TRM

Series	162	Ordering No.	16252-JA21-0001
Projection E	DN	Flange	JIS
	400	Rev.	A
Dimensional Drawing	425371		