



VAT Vakuumventile AG  
CH-9469 Haag, Schweiz

## Product data sheet

**Pendulum valve, Series 162, DN 400 (ID 16")**  
**Ordering No. 16252-JA41**

### Description

Flange	JIS 400
Actuator	– pneumatic, single acting, with closing spring (NC) – with solenoid valve – with position indicator
Feedthrough	Rotary feedthrough

### Technical data

Leak rate	– Valve body – Valve seat	$< 1 \cdot 10^{-9}$ mbar ls <sup>-1</sup> $< 1 \cdot 10^{-9}$ mbar ls <sup>-1</sup>
Pressure range		$1 \cdot 10^{-8}$ mbar to 1.2 bar (abs)
Differential pressure on the gate		$\leq 1.2$ bar
Differential pressure at opening		$\leq 5$ mbar
Conductance (molecular flow)		61 000 ls <sup>-1</sup>
Cycles until first service		200 000 (unheated and under clean conditions)
Temperature (Maximum values: depending on operating conditions and sealing materials)	– Valve body – Actuator – Solenoid valve – Position indicator	$\leq 120$ °C $\leq 80$ °C $\leq 50$ °C $\leq 80$ °C
Heating and cooling rate		$\leq 30$ °C h <sup>-1</sup>
Material	– Valve body, gate, sealing ring  – Feedthrough	EN AW-5083 (3.3547), EN AW-6082 (3.2315)  AISI 303 (1.4305), AISI 304 (1.4301)
Seal	– Bonnet – Gate, dynamic – Feedthrough	FKM (Viton®) FKM (Viton®) FKM (Viton®)
Mounting position		any
Volume of pneumatic actuator		0.65 l / 0.023 ft <sup>3</sup>
Compressed air min. – max. overpressure		5 – 7 bar / 73 – 102 psi
Compressed air connection		G1/8" (ISO / NPT for USA)

Created by: MAEM	Release date: 2013-01-29	1 of 2
Modified by:	Release date:	<b>600038EA</b>



VAT Vakuumventile AG  
CH-9469 Haag, Schweiz

## Product data sheet

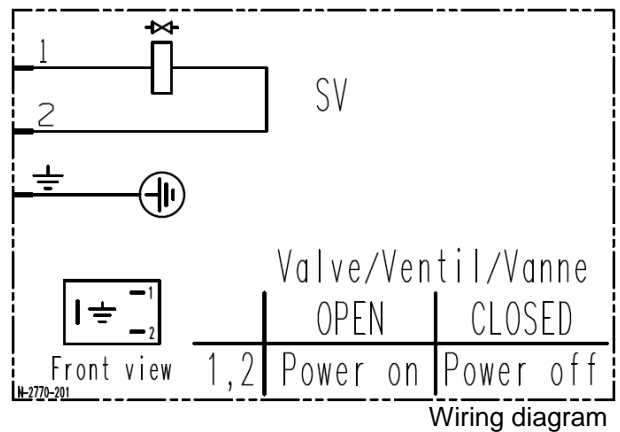
**Pendulum valve, Series 162, DN 400 (ID 16")**  
**Ordering No. 16252-JA41**

Actuation time	- closing	5.5 s
	- opening	5.5 s
Weight		76 kg / 167.6 lbs
Behavior in case of compressed air pressure drop	- Valve closed	valve remains closed
	- Valve open	valve closes
Behavior in case of power failure	- Valve closed	valve remains closed
	- Valve open	valve closes

### Electrical connections

#### Solenoid valve

Type	4/2 way
Voltage	Defined by order



#### Position indicator

Type	Micro switch
Voltage	≤ 50 V AC
Current max.	≤ 1.2 A

