



VAT Vakuumventile AG
CH-9469 Haag, Schweiz

Product data sheet

Pendulum valve, Series 162, DN 400 (ID 16")
Ordering No. 16252-PA48

Description

| | |
|-------------|---|
| Flange | ISO-F 400 |
| Actuator | – 3-position pneumatic with closing spring (NC) – with solenoid valve – with position indicator |
| Feedthrough | Rotary feedthrough |

Technical data

| | | |
|---|--|--|
| Leak rate | – Valve body – Valve seat | $< 1 \cdot 10^{-9}$ mbar ls ⁻¹ $< 1 \cdot 10^{-9}$ mbar ls ⁻¹ |
| Pressure range | | $1 \cdot 10^{-8}$ mbar to 1.2 bar (abs) |
| Differential pressure on the gate | | ≤ 1.2 bar |
| Differential pressure at opening | | ≤ 5 mbar |
| Conductance (molecular flow) | | 61 000 ls ⁻¹ |
| Minimum conductance (molecular flow) 3 rd position | | 69 ls ⁻¹ |
| Cycles until first service | | 200 000 (unheated and under clean conditions) |
| Temperature (Maximum values: depending on operating conditions and sealing materials) | – Valve body – Actuator – Solenoid valve – Position indicator | ≤ 120 °C ≤ 80 °C ≤ 50 °C ≤ 80 °C |
| Heating and cooling rate | | ≤ 30 °C h ⁻¹ |
| Material | – Valve body, gate, sealing ring – Feedthrough | EN AW-5083 (3.3547), EN AW-6082 (3.2315) AISI 303 (1.4305), AISI 304 (1.4301) |
| Seal | – Bonnet – Gate, dynamic – Feedthrough | FKM (Viton®) FKM (Viton®) FKM (Viton®) |
| Mounting position | | any |
| Volume of pneumatic actuator | | 0.65 l / 0.023 ft ³ |
| Compressed air min. – max. overpressure | | 5 – 7 bar / 73 – 102 psi |
| Compressed air connection | | G1/8" (ISO / NPT for USA) |
| Actuation time | – closing – opening | 5.5 s 5.5 s |
| Weight | | 76 kg / 167.6 lbs |

| | | |
|------------------|--------------------------|-----------------|
| Created by: MAEM | Release date: 2013-01-29 | 1 of 2 |
| Modified by: | Release date: | 292956EA |



VAT Vakuumventile AG
CH-9469 Haag, Schweiz

Product data sheet

Pendulum valve, Series 162, DN 400 (ID 16")
Ordering No. 16252-PA48

Behavior in case of compressed air pressure drop – Valve closed
– Valve open

valve remains closed
valve closes

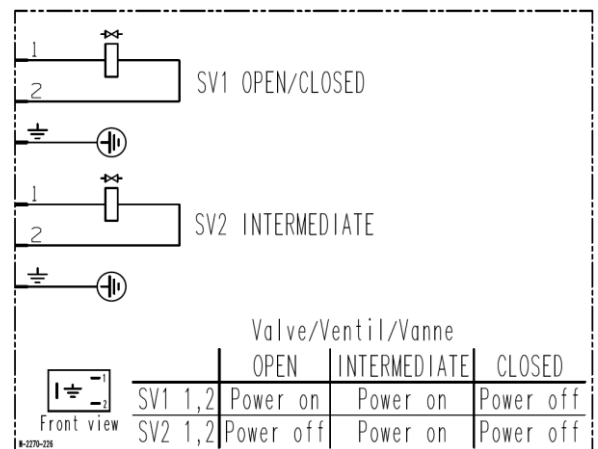
Behavior in case of power failure – Valve closed
– Valve open

valve remains closed
valve closes

Electrical connections

Solenoid valve

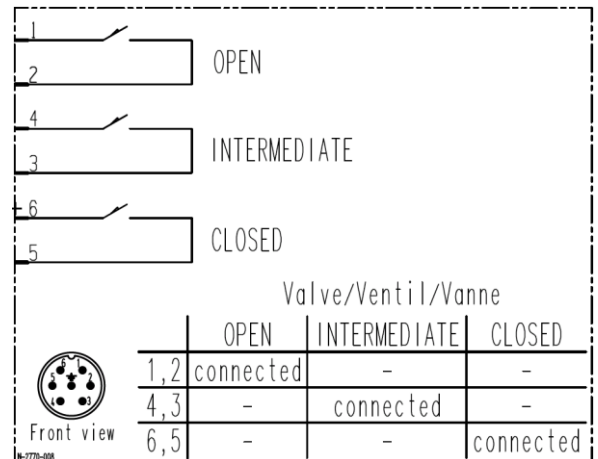
Type 4/2 way
Voltage Defined by order



Wiring diagram

Position indicator

Type Micro switch
Voltage ≤ 50 V AC
Current max. ≤ 1.2 A



Wiring diagram