



VAT Vakuumventile AG  
CH-9469 Haag, Schweiz

## Product data sheet

**Pendulum Isolation Valve, Series 162, DN 500 (ID 20")**

**Ordering No. 16254-PA41-**

### Description

Flange	ISO-F 500
Actuator	pneumatic, single acting with closing spring – with position indicator – with solenoid
Feedthrough	Rotary feedthrough

### Technical data

Leak rate	– Valve body	$< 1 \cdot 10^{-9}$ mbar ls <sup>-1</sup>
	– Valve seat	$< 1 \cdot 10^{-9}$ mbar ls <sup>-1</sup>
Pressure range		$1 \cdot 10^{-7}$ mbar to 1.2 bar (abs)
Differential pressure on the gate		
– in closing direction		≤ 1.2 bar
– in opening direction		≤ 1.2 bar
Differential pressure at opening		
– in closing direction		≤ 5 mbar
– in opening direction		≤ 5 mbar
Conductance (molecular flow)		100 000 ls <sup>-1</sup>
Cycles until first service		200 000
Temperature	– Valve Body	≤ 120 °C
(Maximum values: depending on operating conditions and sealing materials)	– Actuator	≤ 50 °C
	– Position indicator	≤ 50 °C
	– Solenoid	≤ 50 °C
Heating and cooling rate		≤ 30 °C h <sup>-1</sup>
Material	– Valve body, gate	EN AC- 42100 (3.2371), EN AW – 5083 (3.3547),
	Sealing ring,	EN AW 6082 (3.2315)
	feedthrough	AISI 304 (1.4301)
Seal	– Bonnet	– FKM (Viton <sup>®</sup> )
	– Gate, dynamic	– FKM (Viton <sup>®</sup> )
	– Feedthrough	– FKM (Viton <sup>®</sup> )
	– Actuator	– FKM (Viton <sup>®</sup> ) / NBR
Mounting position		any
Volume of pneumatic actuator		1.4 l / 0.047 ft <sup>3</sup>
Compressed air		5 – 7 bar / 73 – 102 psi
min. – max. overpressure		
Compressed air connection		G1/8" (ISO / NPT for USA)
Actuation time	– closing	10 s
	– opening	10 s
Weight		110 kg / 243 lbs

Created by: TRM	Release date: 26.04.2012	1/2
Modified by:	Release date:	<b>294579EA</b>



VAT Vakuumventile AG  
CH-9469 Haag, Schweiz

## Product data sheet

**Pendulum Isolation Valve, Series 162, DN 500 (ID 20")**

**Ordering No. 16254-PA41-**

Behavior in case of compressed air pressure drop – Valve closed  
– Valve open

valve remains closed  
valve closes

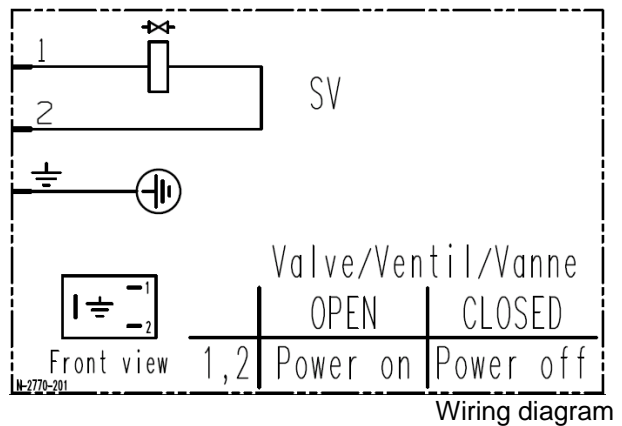
Behavior in case of power failure – Valve closed  
– Valve open

valve remains closed  
valve closes

## Electrical connections

### Solenoid valve

Type 4/2 way  
Voltage Defined by order



### Position indicator

Type Micro switch  
Voltage 12 - 24 V AC/DC  
Current max. 5 – 20mA

