



VAT Vakuumventile AG
CH-9469 Haag, Schweiz

Product data sheet

Pendulum valve, Series 162, DN 550 (ID 22'')
Ordering No. 16255-JA41

Description

Flange	JIS 550
Actuator	– pneumatic, single acting, with closing spring (NC) – with solenoid valve – with position indicator
Feedthrough	Rotary feedthrough

Technical data

Leak rate	– Valve body – Valve seat	$< 1 \cdot 10^{-9}$ mbar ls ⁻¹ $< 1 \cdot 10^{-9}$ mbar ls ⁻¹
Pressure range		$1 \cdot 10^{-8}$ mbar to 1.2 bar (abs)
Differential pressure on the gate		≤ 1.2 bar
Differential pressure at opening		≤ 5 mbar
Conductance (molecular flow)		135 000 ls ⁻¹
Cycles until first service		200 000 (unheated and under clean conditions)
Temperature (Maximum values: depending on operating conditions and sealing materials)	– Valve body – Actuator – Solenoid valve – Position indicator	≤ 120 °C ≤ 80 °C ≤ 50 °C ≤ 80 °C
Heating and cooling rate		≤ 30 °C h ⁻¹
Material	– Valve body – Gate – Sealing ring – Feedthrough	EN AC-42100 (3.2371) EN AW-6082 (3.2315) EN AW-6082 (3.2315) AISI 304 (1.4301)
Seal	– Bonnet – Gate, dynamic – Feedthrough	FKM (Viton®) FKM (Viton®) FKM (Viton®)
Mounting position		horizontal and vertical
Volume of pneumatic actuator		1.5 l / 0.053 ft ³
Compressed air min. – max. overpressure		5 – 7 bar / 73 – 102 psi
Compressed air connection		G1/8" (ISO / NPT for USA)
Actuation time	– closing – opening	14 s 14 s
Weight		119 kg / 262 lbs

Created by: MAEM	Release date: 2015-02-26	1 of 2
Modified by:	Release date:	298879EA



VAT Vakuumventile AG
CH-9469 Haag, Schweiz

Product data sheet

Pendulum valve, Series 162, DN 550 (ID 22'')
Ordering No. 16255-JA41

Behavior in case of compressed air pressure drop – Valve closed
– Valve open

valve remains closed
valve closes

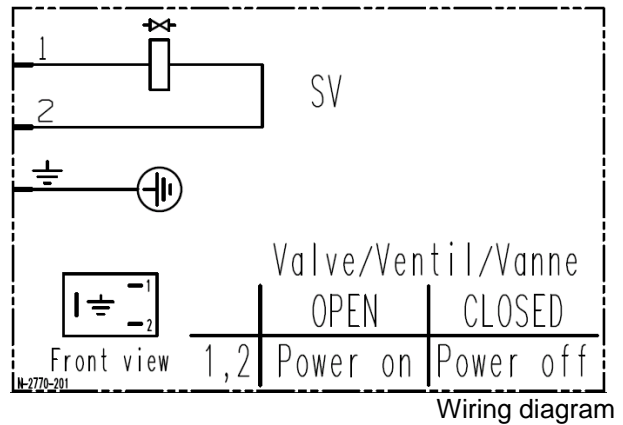
Behavior in case of power failure – Valve closed
– Valve open

valve remains closed
valve closes

Electrical connections

Solenoid valve

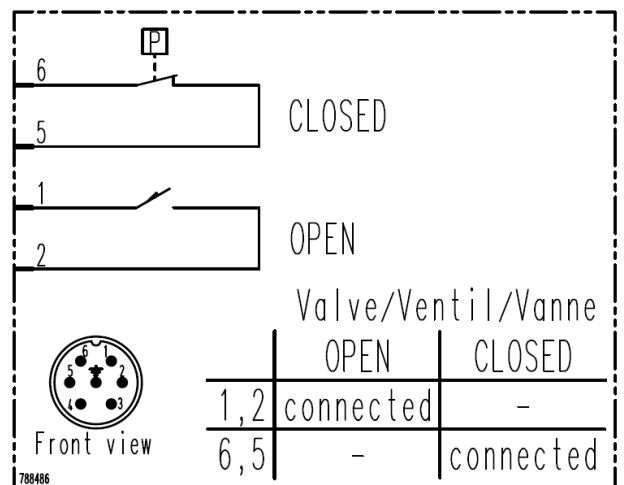
Type 4/2 way
Voltage Defined by order



Wiring diagram

Position indicator

Type Micro switch
Voltage 12 - 24 V AC/DC
Current max. 5 – 20mA



Wiring diagram