



VAT Vakuumventile AG
CH-9469 Haag, Schweiz

Product data sheet

Large pendulum valve, Series 168, DN 400 (16")
Ordering No. 16852-AA44-0001

Description

Flange	ASA-400
Actuator	Pneumatic, double acting – with solenoid valve – with position indicator
Feedthrough	Rotary feedthrough

Technical data

Leak rate	– Valve body	$< 1 \cdot 10^{-9}$ mbar ls ⁻¹
	– Valve seat	$< 1 \cdot 10^{-9}$ mbar ls ⁻¹
Pressure range		$1 \cdot 10^{-7}$ mbar to 1.2 bar (abs)
Differential pressure on the gate		≤ 1.2 bar
Differential pressure at opening		≤ 30 mbar
Cycles until first service		100'000
Temperature	– Valve body	≤ 120 °C
(Maximum values: depending on operating conditions and sealing materials)	– Actuator	≤ 80 °C
	– Solenoid valve	≤ 50 °C
	– Position indicator	≤ 80 °C
Heating and cooling rate		≤ 30 °C h ⁻¹
Material	– Valve body	EN AC-42100 (3.2371), EN AW-6082 (3.2315)
	– Mechanics	EN AC-42100 (3.2371)
	– Gate	EN AW-6082 (3.2315)
	– Feedthrough	EN AW-6082 (3.2315), AISI 303 (1.4305)
Seal	– Bonnet	FKM (Viton®)
	– Gate	FKM (Viton®)
	– Actuator	FKM (Viton®), NBR
	– Feedthrough	FKM (Viton®)
Mounting position		any
Volume of pneumatic actuator		3.3 l / 0.116 ft ³
Compressed air min. – max. overpressure		5 – 7 bar / 73 – 102 psi
Compressed air connection		G1/8" (ISO / NPT for USA)

Created by: ARP	Release date: 26.10.2020	1/2
Modified by:	Release date:	1060455EA



VAT Vakuumventile AG
CH-9469 Haag, Schweiz

Product data sheet

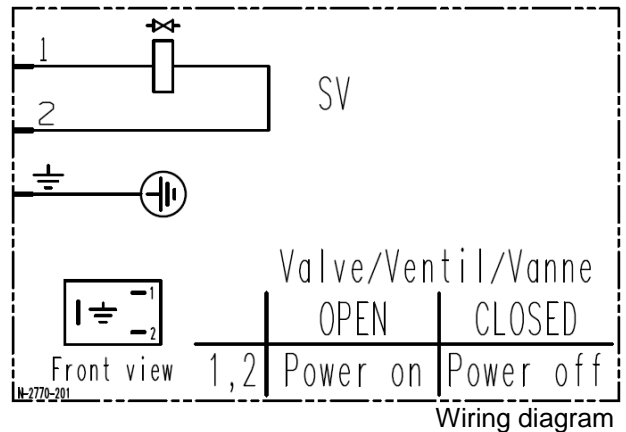
Large pendulum valve, Series 168, DN 400 (16")
Ordering No. 16852-AA44-0001

Actuation time	- closing	14 s
	- opening	14 s
Weight		115 kg / 254 lbs
Behavior in case of compressed air pressure drop	- Valve closed	valve remains closed
	- Valve open	undefined
	- During actuation	undefined
Behavior in case of power failure	- Valve closed	valve remains closed
	- Valve open	valve closes
	- During actuation	valve closes

Electrical connections

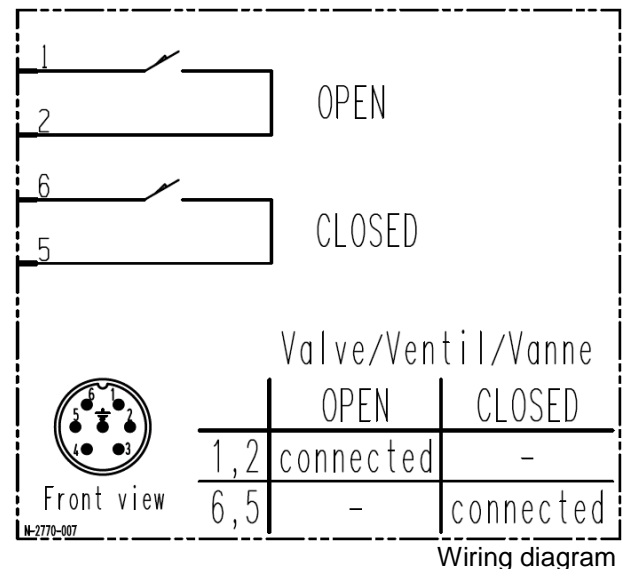
Solenoid valve

Type	4/2 way
Voltage	Defined by order



Position indicator

Type	Micro switch
Voltage	≤ 50 V AC / DC
Current max.	≤ 3 A



Created by: ARP	Release date: 26.10.2020	2/2
Modified by:	Release date:	1060455EA