



VAT Vakuumventile AG
CH-9469 Haag, Schweiz

Product data sheet

Large pendulum valve, Series 168, DN 400 (ID 16'')
Ordering No. 16852-PA44

Description

Flange	ISO-F 400
Actuator	Pneumatic, double acting – with solenoid valve – with position indicator
Feedthrough	Rotary feedthrough

Technical data

Leak rate	– Valve body – Valve seat	$< 1 \cdot 10^{-9}$ mbar ls ⁻¹ $< 1 \cdot 10^{-9}$ mbar ls ⁻¹
Pressure range		$1 \cdot 10^{-8}$ mbar to 1.2 bar (abs)
Differential pressure on the gate		≤ 1.2 bar
Differential pressure at opening		≤ 30 mbar
Conductance (molecular flow)		50 000 ls ⁻¹
Cycles until first service		100 000
Temperature (Maximum values: depending on operating conditions and sealing materials)	– Valve body – Actuator – Solenoid valve – Position indicator	≤ 120 °C ≤ 80 °C ≤ 50 °C ≤ 80 °C
Heating and cooling rate		≤ 30 °C h ⁻¹
Material	– Valve body – Mechanics – Gate – Feedthrough	EN AC-42100 (3.2371), EN AW-6082 (3.2315) EN AC-42100 (3.2371) EN AW-6082 (3.2315) EN AW-6082 (3.2315), AISI 303 (1.4305)
Seal	– Bonnet – Gate – Actuator – Feedthrough	FKM (Viton®) FKM (Viton®) FKM (Viton®), NBR FKM (Viton®)
Mounting position		any
Volume of pneumatic actuator		2.0 l / 0.071 ft ³
Compressed air min. – max. overpressure		5 – 7 bar / 73 – 102 psi
Compressed air connection		1/8" ISO / NPT

Created by: MAEM	Release date: 2015-02-09	1 of 2
Modified by:	Release date:	246101EB



VAT Vakuumventile AG
CH-9469 Haag, Schweiz

Product data sheet

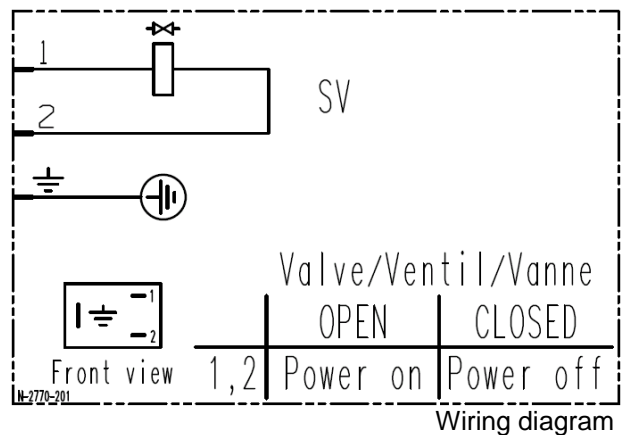
Large pendulum valve, Series 168, DN 400 (ID 16'')
Ordering No. 16852-PA44

Actuation time	- closing	12 s
	- opening	12 s
Weight		85 kg / 187 lbs
Behavior in case of compressed air pressure drop	- Valve closed	valve remains closed
	- Valve open	undefined
	- During actuation	undefined
Behavior in case of power failure	- Valve closed	valve remains closed
	- Valve open	valve closes
	- During actuation	valve closes

Electrical connections

Solenoid valve

Type	4/2 way
Voltage	Defined by order



Position indicator

Type	Micro switch
Voltage	≤ 50 V AC / DC
Current max.	≤ 3 A

