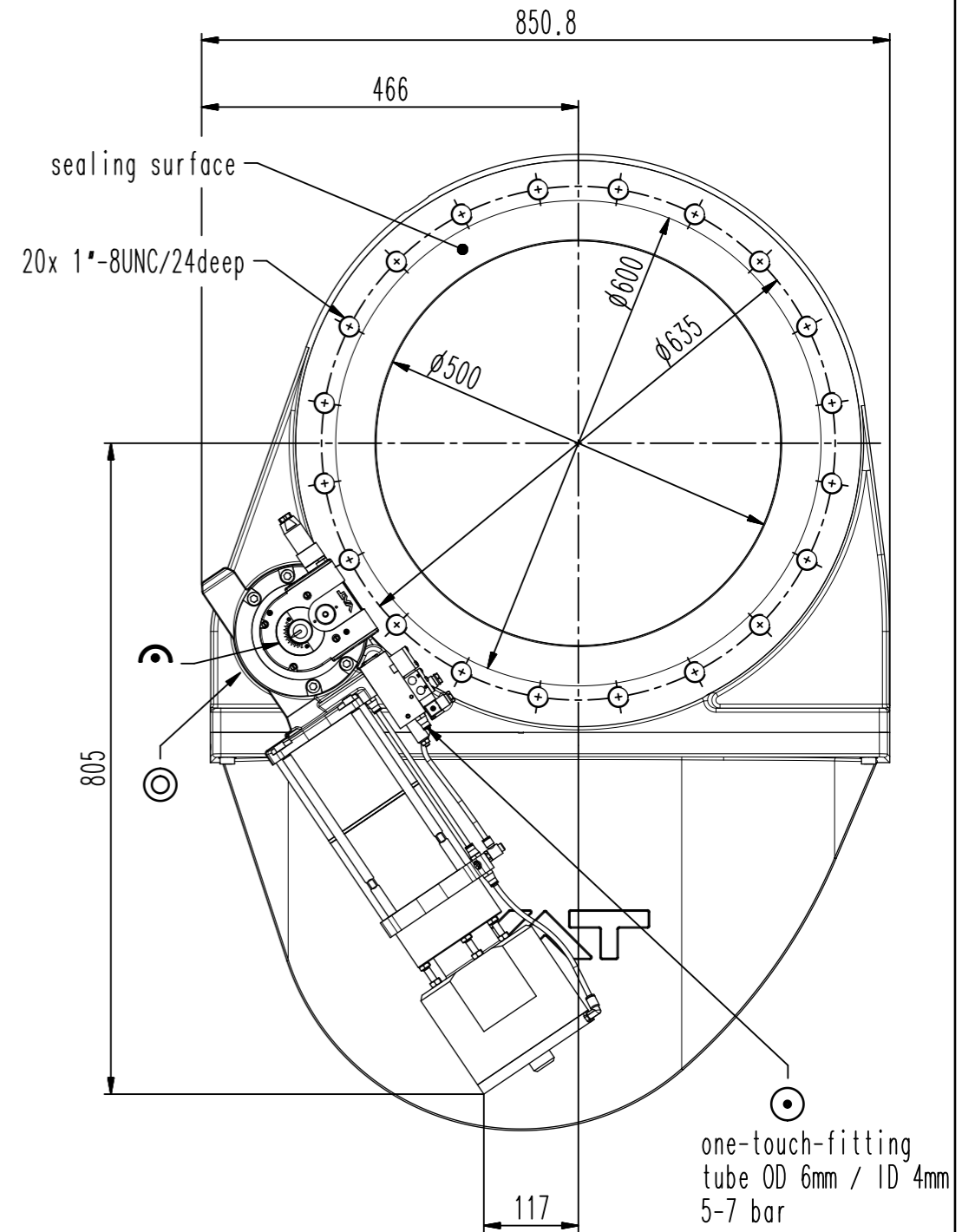
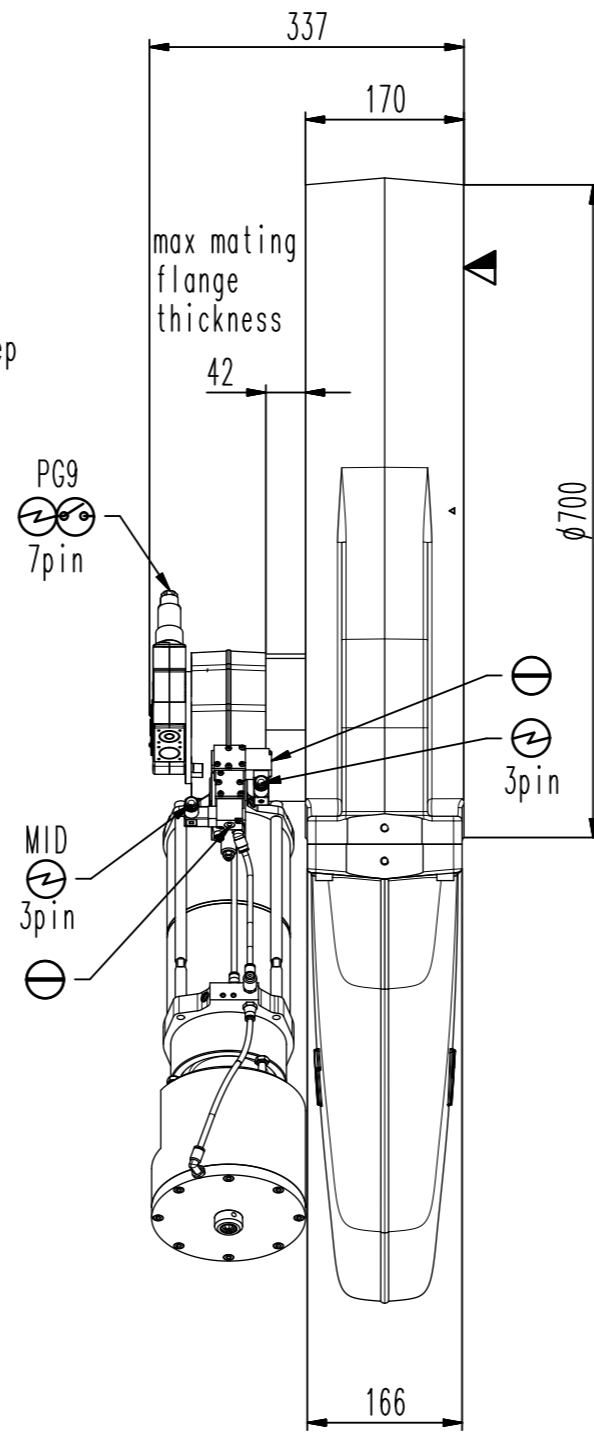
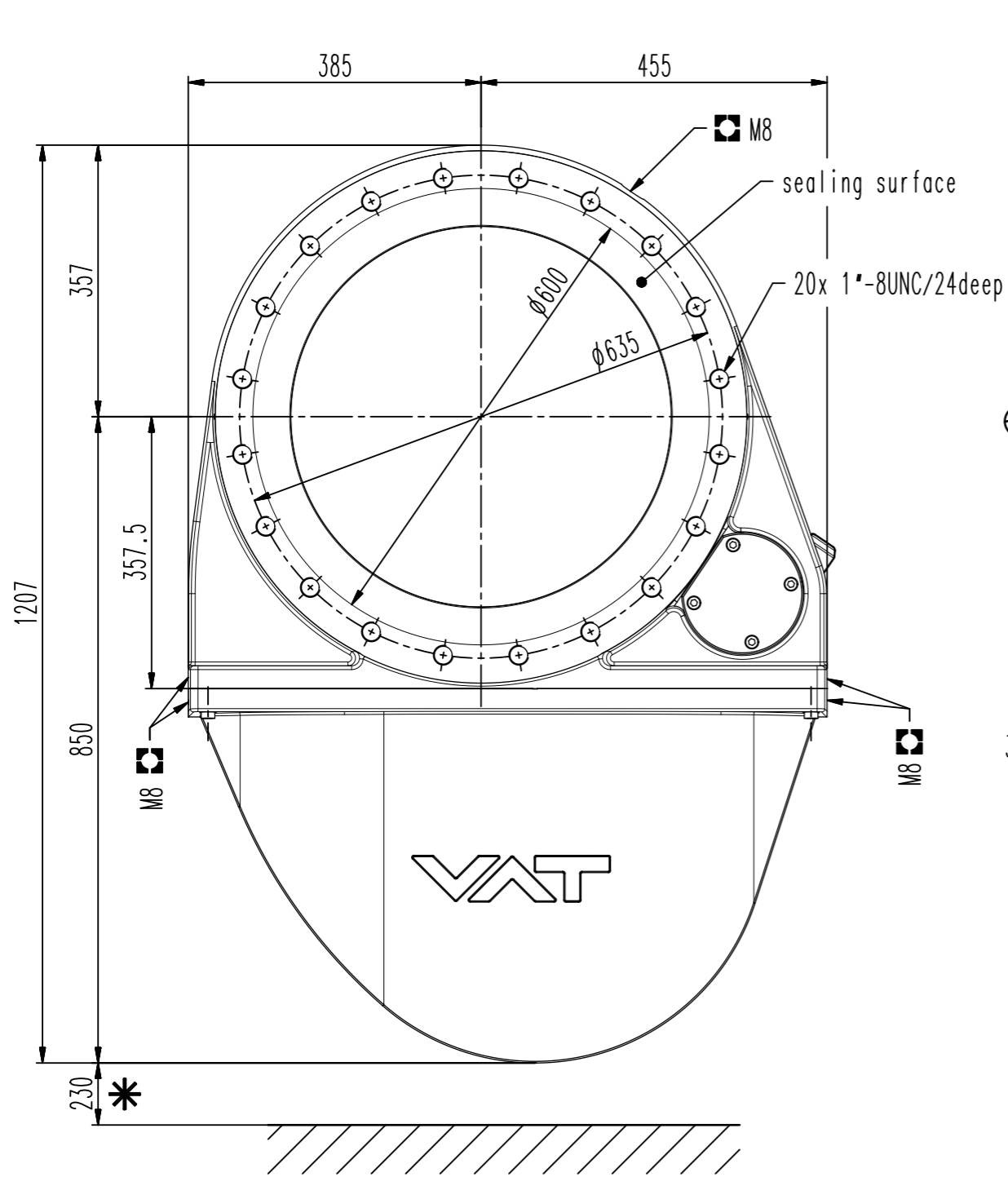


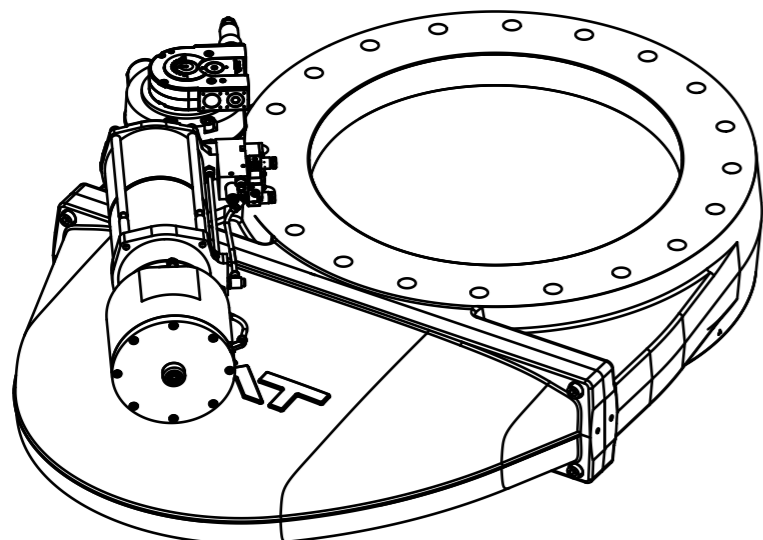
This drawing is the property of VAT.

Revision

Customer number



20.0 ANSI
20" ASA



- ▼ Seat side
- ⊙ Comp. air connection
- ⊙ Electrical connection
- ⊙ Leak detection port
- ⊙ Mech. pos. indication
- ⊙ Position indicator
- ⊙ Required for dismantling
- ⊙ Emergency actuation
- ⊙ For attachment
- ⊙ Bake-out area
- ⊙ Differential pumping port

Large pendulum valve



VAT Vakuumventile AG
CH-9469 Haag, Switzerland
Tel ++41 81 7716161 Fax ++41 81 7714830

Rev.-Date: 13.07.15
Visa: TRM

Series	168	Ordering No.	16854-AA48-0002
Projection E	DN	Flange	
	500	ASA-150	
Dimensional Drawing	800382	Rev.	A