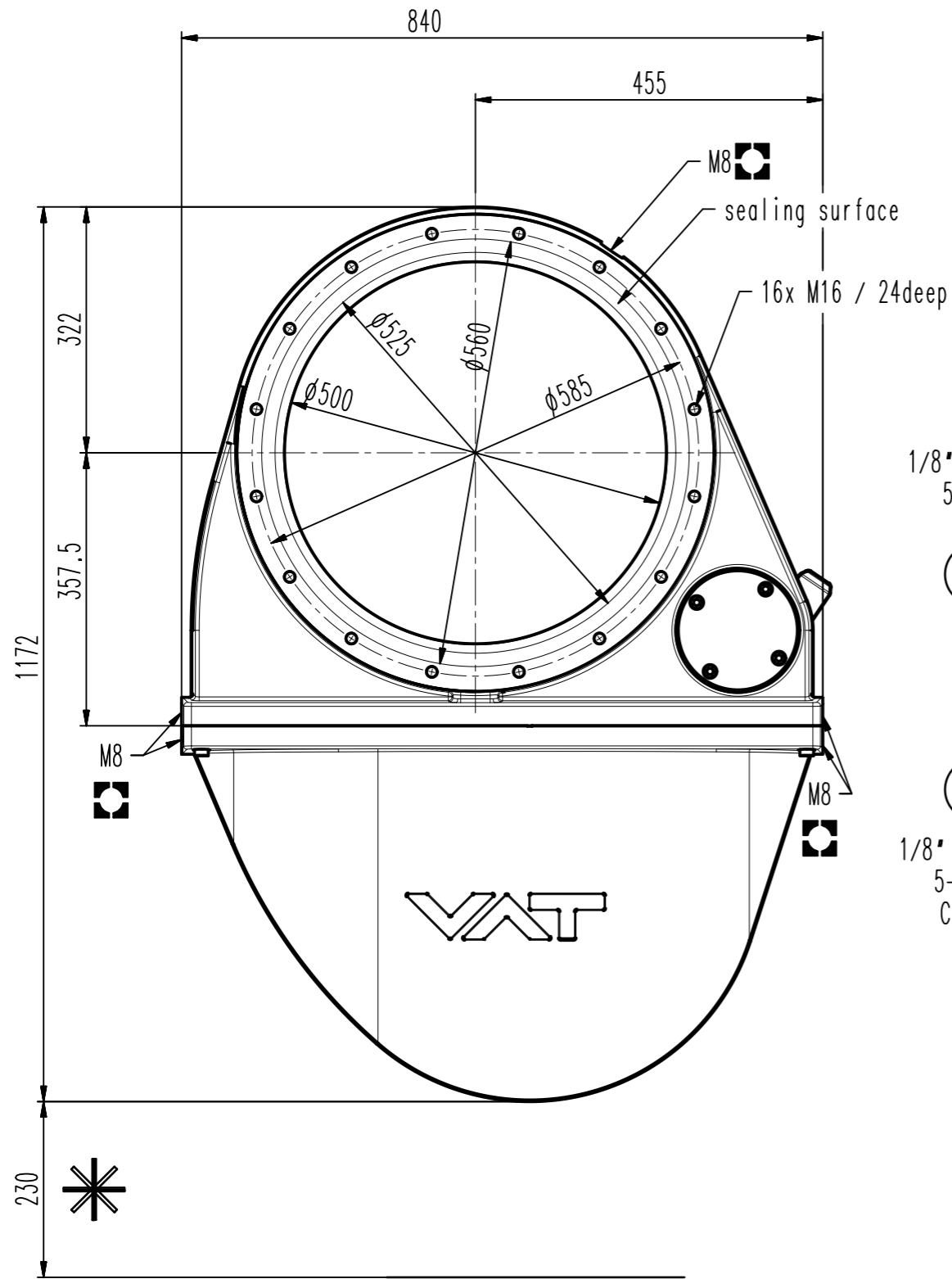


This drawing is the property of VAT.

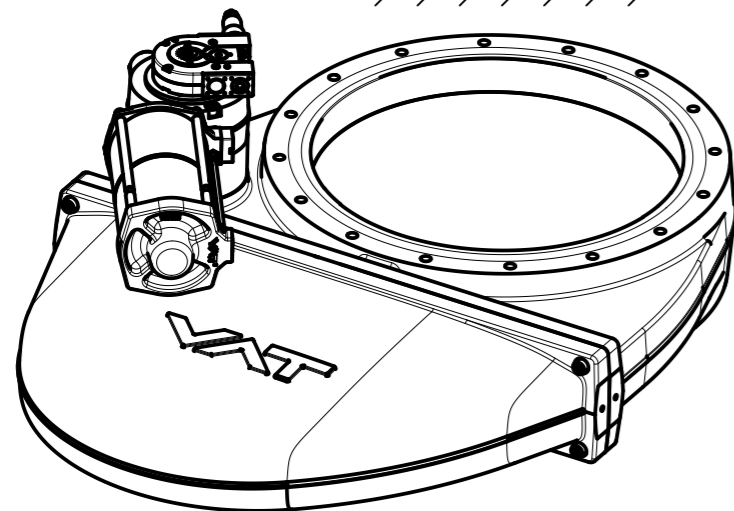
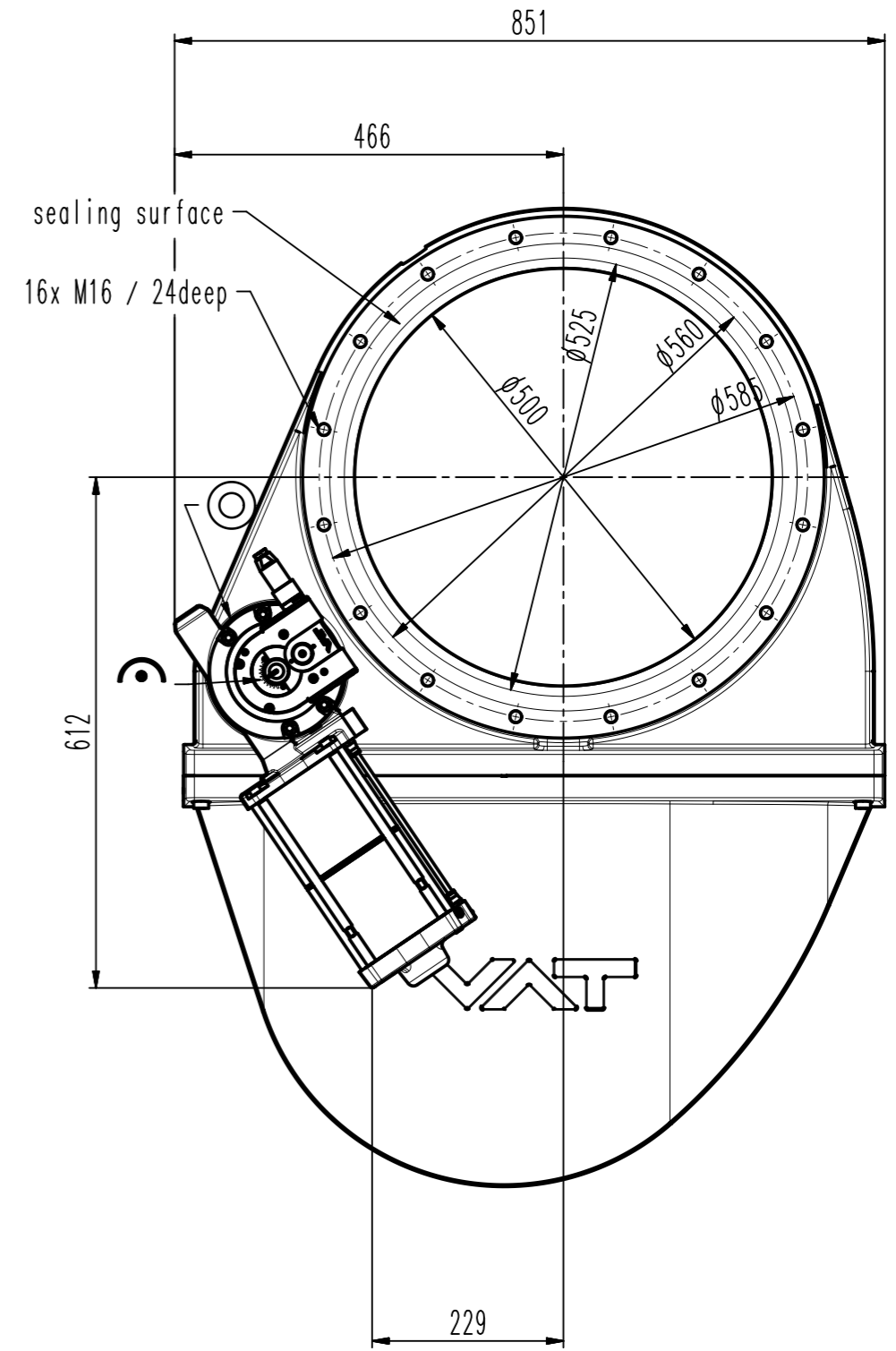
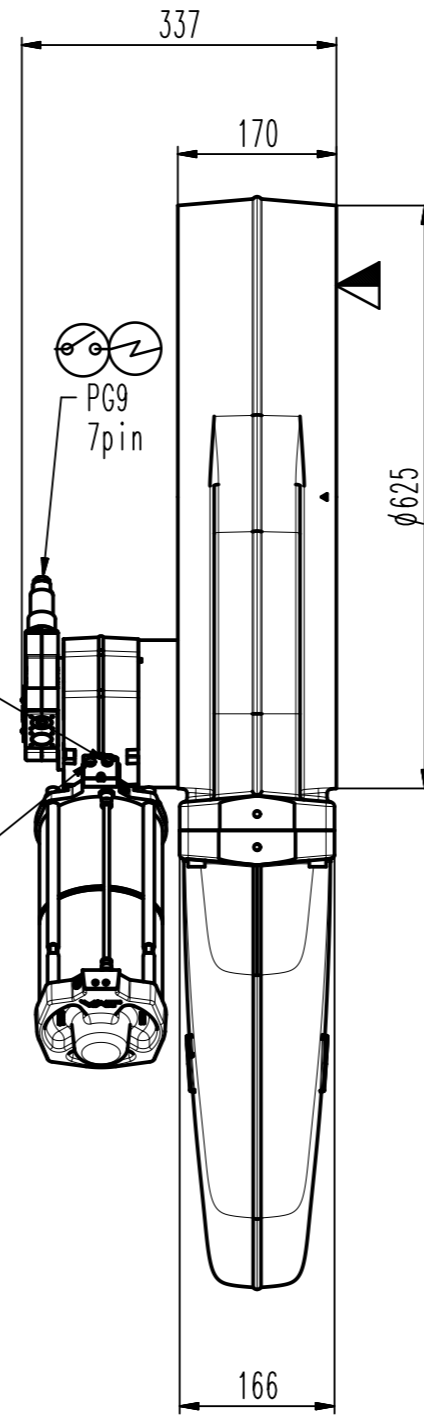
Revision

Customer number



1/8" ISO/NPT
5-7bar
OPEN

1/8" ISO/NPT
5-7bar
CLOSE



- ▼ Seat side
- ⊙ Comp. air connection
- ⊙ Electrical connection
- ⊙ Leak detection port
- ⊙ Mech. pos. indication
- ⊙ Position indicator
- ⊙ * Required for dismantling
- ⊙ Emergency actuation
- ⊙ For attachment
- ⊙ Bake-out area
- ⊙ Differential pumping port

Large pendulum valves



VAT Vakuumventile AG
CH-9469 Haag, Switzerland
Tel ++41 81 7716161 Fax ++41 81 7714830

Rev.-Date: 30.06.15
Visa: TRM

Series	168	Ordering No.	16854-JA24-0002
Projection E	DN	Flange	JIS
	500	Rev.	A
Dimensional Drawing	575513		