



VAT Vakuumventile AG
CH-9469 Haag, Schweiz

Product data sheet

Large vacuum gate valve, Series 190, DN 500 (ID 20")
Ordering No. 19054-AE24

Description

Flange	ASA 500
Actuator	pneumatic, double acting – with position indicator
Feedthrough	Shaft feedthrough

Technical data

Leak rate	– Valve body – Valve seat	$< 1 \cdot 10^{-9}$ mbar ls ⁻¹ $< 1 \cdot 10^{-9}$ mbar ls ⁻¹
Pressure range		$1 \cdot 10^{-7}$ mbar to 1 bar (abs)
Differential pressure on the gate	– in opening direction – in closing direction	≤ 1 bar ≤ 1 bar
Differential pressure at opening		≤ 20 mbar
Conductance (molecular flow)		90 000 ls ⁻¹
Cycles until first service		100 000 (unheated and under clean conditions)
Temperature (Maximum values: depending on operating conditions and sealing materials)	– Valve body – Actuator – Position indicator	≤ 150 °C ≤ 80 °C ≤ 80 °C
Heating and cooling rate		30 °C h ⁻¹
Material	– Valve body – Mechanism	AISI 304 (1.4301) EN AW-6082 (3.2315), AISI 304 (1.4301)
Seal	– Bonnet – Gate – Actuator	FKM (Viton®) FKM (Viton®) NBR
Mounting position		any
Volume of pneumatic actuator		6.9 l / 0.244 ft ³
Compressed air min. – max. overpressure		5 – 7 bar / 73 – 102 psi
Compressed air connection		Plug in connection $\varnothing 10$ mm
Actuation time	– closing – opening	8 s 8 s
Weight		260 kg / 573 lbs

Created by: HDE	Release date: 2013-11-14	1 of 2
Modified by:	Release date:	604874EA



VAT Vakuumventile AG
CH-9469 Haag, Schweiz

Product data sheet

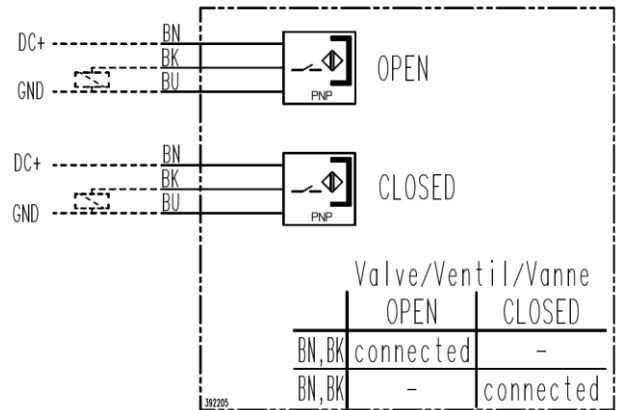
Large vacuum gate valve, Series 190, DN 500 (ID 20'')
Ordering No. 19054-AE24

Behavior in case of compressed air pressure drop	– Valve closed – Valve open – During actuation	valve remains closed undefined undefined
Behavior in case of power failure	– Valve closed – Valve open – During actuation	valve remains closed valve closes valve closes

Electrical connections

Position indicator

Type	PNP NO with LED
Voltage	10 - 30 V DC
Current max.	200 mA
Power max.	10 W
Cable length	2 meter



	Valve/Ventil/Vanne	
	OPEN	CLOSED
BN, BK	connected	-
BN, BK	-	connected

Wiring diagram