



VAT Vakuumventile AG  
CH-9469 Haag, Schweiz

## Product data sheet

**Large vacuum gate valve, Series 190, DN 500 (ID 20")**  
**Ordering No. 19054-PE24**

### Description

Flange	ISO-F 500
Actuator	pneumatic, double acting – with position indicator
Feedthrough	Shaft feedthrough

### Technical data

Leak rate	– Valve body – Valve seat	$< 1 \cdot 10^{-9}$ mbar ls <sup>-1</sup> $< 1 \cdot 10^{-9}$ mbar ls <sup>-1</sup>
Pressure range		$1 \cdot 10^{-7}$ mbar to 1 bar (abs)
Differential pressure on the gate	– in opening direction – in closing direction	$\leq 1$ bar $\leq 1$ bar
Differential pressure at opening		$\leq 20$ mbar
Conductance (molecular flow)		90 000 ls <sup>-1</sup>
Cycles until first service		100 000 (unheated and under clean conditions)
Temperature (Maximum values: depending on operating conditions and sealing materials)	– Valve body – Actuator – Position indicator	$\leq 150$ °C $\leq 80$ °C $\leq 80$ °C
Heating and cooling rate		30 °C h <sup>-1</sup>
Material	– Valve body – Mechanism	AISI 304 (1.4301) EN AW-6082 (3.2315), AISI 304 (1.4301)
Seal	– Bonnet – Gate – Actuator	FKM (Viton®) FKM (Viton®) NBR
Mounting position		any
Volume of pneumatic actuator		6.9 l / 0.244 ft <sup>3</sup>
Compressed air min. – max. overpressure		5 – 7 bar / 73 – 102 psi
Compressed air connection		Plug in connection $\varnothing 10$ mm
Actuation time	– closing – opening	8 s 8 s
Weight		200 kg / 441 lbs

Created by: HDE	Release date: 2013-11-08	1 of 2
Modified by:	Release date:	<b>604877EA</b>



VAT Vakuumventile AG  
CH-9469 Haag, Schweiz

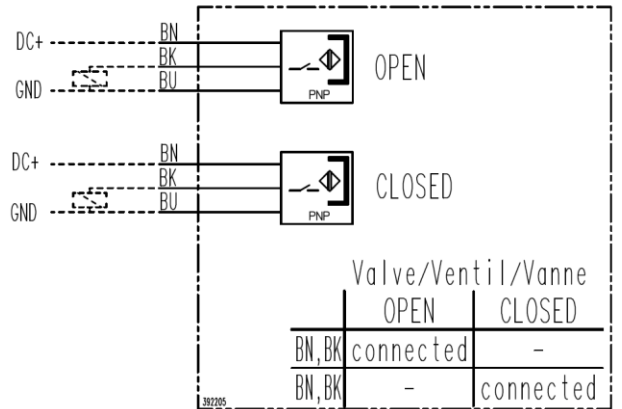
## Product data sheet

**Large vacuum gate valve, Series 190, DN 500 (ID 20'')**  
**Ordering No. 19054-PE24**

Behavior in case of compressed air pressure drop	– Valve closed – Valve open – During actuation	valve remains closed undefined undefined
Behavior in case of power failure	– Valve closed – Valve open – During actuation	valve remains closed valve closes valve closes

### Position indicator

Type	PNP NO with LED
Voltage	10 - 30 V DC
Current max.	200 mA
Power max.	10 W
Cable length	2 meter



Wiring diagram