



VAT Vakuumventile AG  
CH-9469 Haag, Schweiz

## Product data sheet

**Large gate valves, Series 190, DN 630 (ID 25'')**  
**Ordering No. 19056-PE24-0002**

### Description

Flange	ISO-F 630
Actuator	pneumatic, double acting – without solenoid valve – with position indicator
Feedthrough	Shaft feedthrough

### Technical data

Leak rate	– Valve body – Valve seat	$< 1 \cdot 10^{-9}$ mbar ls <sup>-1</sup> $< 1 \cdot 10^{-9}$ mbar ls <sup>-1</sup>
Pressure range		$1 \cdot 10^{-7}$ mbar to 1 bar (abs)
Differential pressure on the gate	– in opening direction – in closing direction	$\leq 1$ bar $\leq 1$ bar
Differential pressure at opening		$\leq 10$ mbar
Conductance (molecular flow)		186 000 ls <sup>-1</sup>
Cycles until first service		20 000 (unheated and under clean conditions)
Temperature (Maximum values: depending on operating conditions and sealing materials)	– Valve body – Actuator – Position indicator	$\leq 150$ °C $\leq 80$ °C $\leq 80$ °C
Heating and cooling rate		30 °C h <sup>-1</sup>
Material	– Valve body – Mechanism	AISI 304 (1.4301) EN AW-6082 (3.2315), AISI 304 (1.4301)
Seal	– Bonnet – Gate – Actuator	FKM (Viton®) FKM (Viton®) NBR
Mounting position		any
Volume of pneumatic actuator		8.8 l / 0.311 ft <sup>3</sup>
Compressed air min. – max. overpressure		5 – 7 bar / 73 – 102 psi
Compressed air connection		G ¼" (NPT for USA)
Actuation time	– closing – opening	10 s 10 s
Weight		350 kg / 772 lbs

Created by: BRR	Release date: 18.05.2016	1/2
Modified by:	Release date:	<b>845022EA</b>



VAT Vakuumventile AG  
CH-9469 Haag, Schweiz

## Product data sheet

**Large gate valves, Series 190, DN 630 (ID 25")**  
**Ordering No. 19056-PE24-0002**

Behavior in case of compressed air pressure drop	– Valve closed – Valve open – During actuation	valve remains closed undefined undefined
Behavior in case of power failure	– Valve closed – Valve open – During actuation	depending on customer installation depending on customer installation depending on customer installation

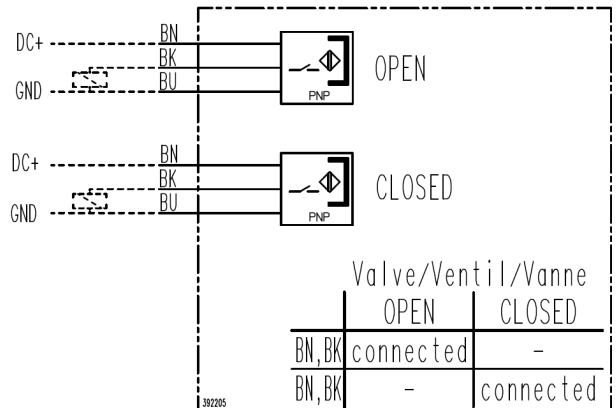
### Related documents

Dimensional drawing No. 819667

### Electrical connections

#### Position indicator

Type	PNP NO with LED
Voltage	10 - 30 V DC
Current max.	200 mA
Power max.	10 W
Cable length	2 meter



Wiring diagram

Created by: BRR	Release date: 18.05.2016	2/2
Modified by:	Release date:	<b>845022EA</b>