



VAT Vakuumventile AG
CH-9469 Haag, Schweiz

Product data sheet

Large gate valves, Series 190, DN 630 (ID 25'')
Ordering No. 19056-PE44-0006

Description

Flange	ISO-F 630
Actuator	pneumatic, double acting – with solenoid valve – with position indicator
Feedthrough	Shaft feedthrough

Technical data

Leak rate	– Valve body – Valve seat	$< 1 \cdot 10^{-9}$ mbar ls ⁻¹ $< 1 \cdot 10^{-9}$ mbar ls ⁻¹
Pressure range		$1 \cdot 10^{-7}$ mbar to 1 bar (abs)
Differential pressure on the gate	– in opening direction – in closing direction	≤ 1 bar ≤ 1 bar
Differential pressure at opening		≤ 10 mbar
Conductance (molecular flow)		186 000 ls ⁻¹
Cycles until first service		20 000 (unheated and under clean conditions)
Temperature (Maximum values: depending on operating conditions and sealing materials)	– Valve body – Actuator – Solenoid valve – Position indicator	≤ 150 °C ≤ 80 °C ≤ 50 °C ≤ 80 °C
Heating and cooling rate		30 °C h ⁻¹
Material	– Valve body – Mechanism	AISI 304 (1.4301) EN AW-6082 (3.2315), AISI 304 (1.4301)
Seal	– Bonnet – Gate – Actuator	FKM (Viton®) FKM (Viton®) NBR
Mounting position		any
Volume of pneumatic actuator		8.8 l / 0.311 ft ³
Compressed air min. – max. overpressure		5 – 7 bar / 73 – 102 psi
Compressed air connection		Plug in connection $\varnothing 10$ mm
Actuation time	– closing – opening	10 s 10 s
Weight		350 kg / 772 lbs

Created by: BRR	Release date: 13.04.2015	1/2
Modified by:	Release date:	794039EA



VAT Vakuumventile AG
CH-9469 Haag, Schweiz

Product data sheet

Large gate valves, Series 190, DN 630 (ID 25'')
Ordering No. 19056-PE44-0006

Behavior in case of compressed air pressure drop	– Valve closed – Valve open – During actuation	valve remains closed undefined undefined
Behavior in case of power failure	– Valve closed – Valve open – During actuation	valve remains closed valve closes valve closes

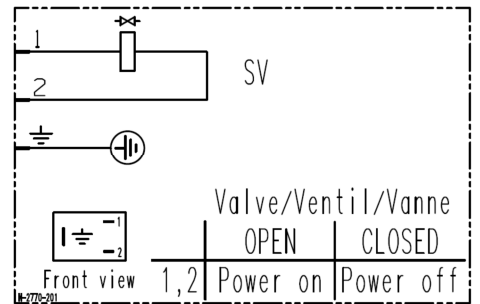
Related documents

Dimensional drawing No. 793146

Electrical connections

Solenoid valve

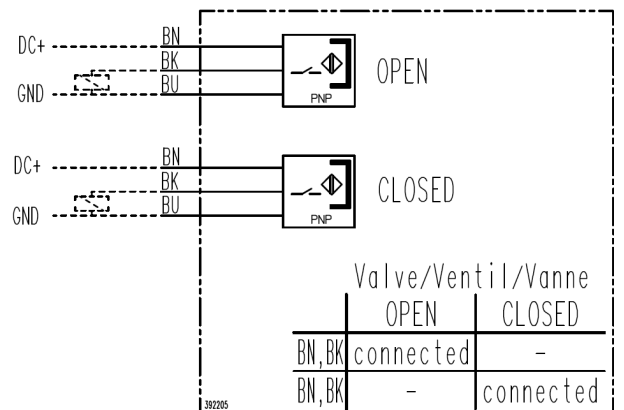
Type 5/2 way
Voltage Defined by order



Wiring diagram

Position indicator

Type PNP NO with LED
Voltage 10 - 30 V DC
Current max. 200 mA
Power max. 10 W
Cable length 2 meter



Wiring diagram