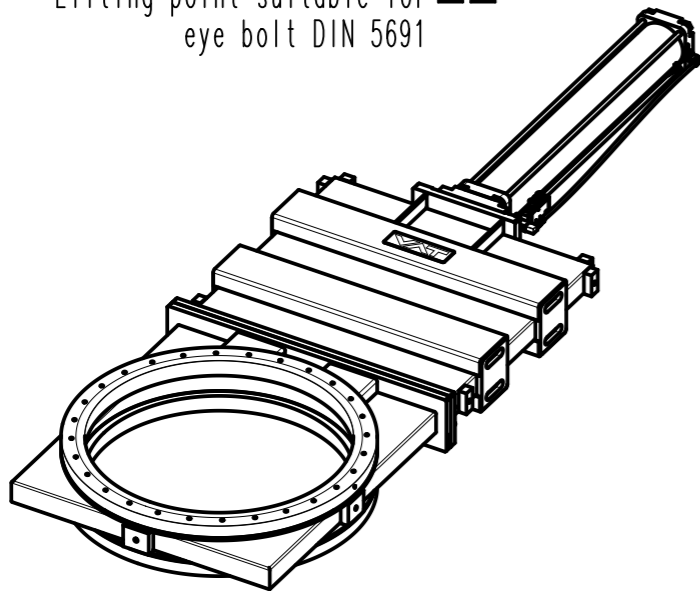


M16 - 25 deep (3x)
Lifting point suitable for
eye bolt DIN 5691

28xM12, 20deep

M16 - 25 deep (3x)
Lifting point suitable for
eye bolt DIN 5691

Lifting eye bolt M16 (2x)
DIN 5691



- ▼ Seat side
- ⊙ Comp. air connection
- ⊙ Electrical connection
- ⊙ Leak detection port
- ⊙ Mech. pos. indication
- ⊙ Position indicator
- ⊙ Required for dismantling
- ⊙ Emergency actuation
- ⊙ For attachment
- ⊙ Bake-out area
- ⊙ Differential pumping port

Large gate valves



VAT Vakuumentile AG
CH-9469 Haag, Switzerland
Tel ++41 81 7716161 Fax ++41 81 7714830

Rev.-Date: 03.11.10
Visa: RYU

Series	190	Ordering No.	19059-PE44-0001
Projection E	DN	Flange	
	900	ISO-F	
Dimensional Drawing		466831	Rev.