



VAT Vakuumventile AG
CH-9469 Haag, Schweiz

Product data sheet

Large vacuum gate valve, Series 190, DN 1000 (ID 40'')
Ordering No. 19060-PE44

Description

Flange	ISO-F 1000
Actuator	pneumatic, double acting – with solenoid valve – with position indicator
Feedthrough	Shaft feedthrough

Technical data

Leak rate	– Valve body – Valve seat	$< 1 \cdot 10^{-9}$ mbar ls ⁻¹ $< 1 \cdot 10^{-9}$ mbar ls ⁻¹
Pressure range		$1 \cdot 10^{-7}$ mbar to 1 bar (abs)
Differential pressure on the gate	– in opening direction – in closing direction	≤ 1 bar ≤ 1 bar
Differential pressure at opening		≤ 10 mbar
Conductance (molecular flow)		505 000 ls ⁻¹
Cycles until first service		10 000 (unheated and under clean conditions)
Temperature (Maximum values: depending on operating conditions and sealing materials)	– Valve body – Actuator – Solenoid valve – Position indicator	≤ 150 °C ≤ 80 °C ≤ 50 °C ≤ 80 °C
Heating and cooling rate		5 °C h ⁻¹
Material	– Valve body – Mechanism	AISI 304 (1.4301) EN AW-6082 (3.2315), AISI 304 (1.4301)
Seal	– Bonnet – Gate – Actuator	FKM (Viton®) FKM (Viton®) NBR
Mounting position		On request
Volume of pneumatic actuator		22.6 l / 0.798 ft ³
Compressed air min. – max. overpressure		5 – 7 bar / 73 – 102 psi
Compressed air connection		Plug in connection $\varnothing 12$ mm
Actuation time	– closing – opening	25 s 25 s
Weight		1000 kg / 2205 lbs

Created by: HDE	Release date: 2014-02-03	1 of 2
Modified by:	Release date:	605913EA



VAT Vakuumentile AG
CH-9469 Haag, Schweiz

Product data sheet

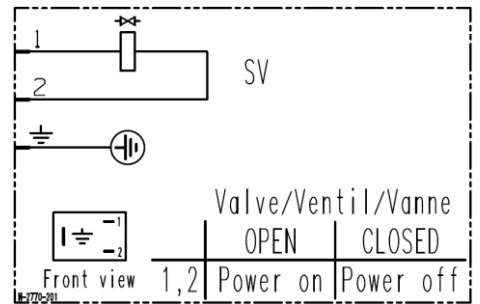
Large vacuum gate valve, Series 190, DN 1000 (ID 40'')
Ordering No. 19060-PE44

Behavior in case of compressed air pressure drop	– Valve closed – Valve open – During actuation	valve remains closed undefined undefined
Behavior in case of power failure	– Valve closed – Valve open – During actuation	valve remains closed valve closes valve closes

Electrical connections

Solenoid valve

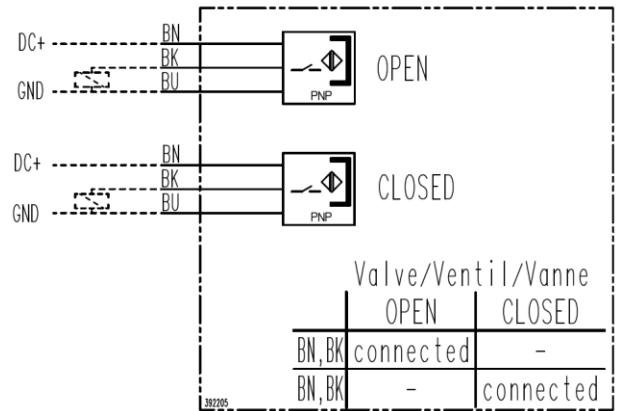
Type	5/2 way
Voltage	Defined by order



Wiring diagram

Position indicator

Type	PNP NO with LED
Voltage	10 - 30 V DC
Current max.	200 mA
Power max.	10 W
Cable length	2 meter



Wiring diagram