



VAT Vakuumventile AG  
CH-9469 Haag, Schweiz

## Product data sheet

**Large vacuum gate valve, Series 191, DN 400 (ID 16")**  
**Ordering No. 19152-PE44**

### Description

Flange	ISO-F 400
Actuator	pneumatic, double acting – with solenoid valve – with position indicator
Feedthrough	Bellow

### Technical data

Leak rate	– Valve body – Valve seat	$< 1 \cdot 10^{-9}$ mbar ls <sup>-1</sup> $< 1 \cdot 10^{-9}$ mbar ls <sup>-1</sup>
Pressure range		$1 \cdot 10^{-8}$ mbar to 1 bar (abs)
Differential pressure on the plate	– in opening direction – in closing direction	$\leq 1$ bar $\leq 1$ bar
Differential pressure at opening		$\leq 20$ mbar
Conductance (molecular flow)	ISO-F	50000 ls <sup>-1</sup>
Cycles until first service		20 000 (unheated and under clean conditions)
Temperature (Maximum values: depending on operating conditions and sealing materials)	– Valve Body – Actuator – Solenoid valve – Position indicator	$\leq 150$ °C $\leq 80$ °C $\leq 50$ °C $\leq 80$ °C
Heating and cooling rate		30 °C h <sup>-1</sup>
Material	– Valve Body – Mechanism – Bellows	AISI 304 (1.4301) EN AW-6082 (3.2315), AISI 304 (1.4301) AISI 316L (1.4435) or AISI 304L (1.4306)
Seal	– Bonnet – Gate – Actuator	FKM (Viton®) FKM (Viton®) NBR
Mounting position		any
Volume of pneumatic actuator		2.1 l / 0.074 ft <sup>3</sup>
Compressed air min. – max. overpressure		5 – 9 bar / 73 – 131 psi
Compressed air connection		G $\frac{1}{8}$ " ISO / NPT
Actuation time	– closing – opening	10 s 10 s
Weight		160 kg / 353 lbs

Created by: HDE	Release date: 2014-06-17	1 of 2
Modified by:	Release date:	<b>600070EA</b>



VAT Vakuumventile AG  
CH-9469 Haag, Schweiz

## Product data sheet

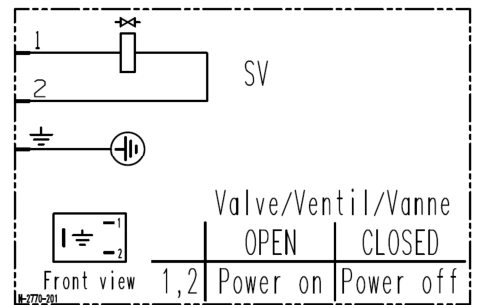
**Large vacuum gate valve, Series 191, DN 400 (ID 16")**  
**Ordering No. 19152-PE44**

Behavior in case of compressed air pressure drop	– Valve closed – Valve open – During actuation	valve remains closed undefined undefined
Behavior in case of power failure	– Valve closed – Valve open – During actuation	valve remains closed valve closes valve closes

### Electrical connections

#### Solenoid valve

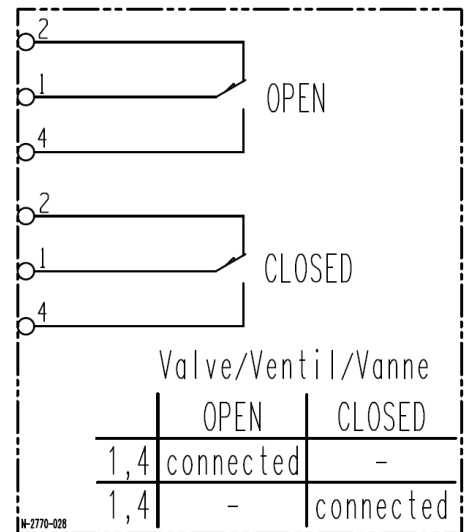
Type	5/2 way
Voltage	Defined by order



Wiring diagram

#### Position indicator

Type	Micro switch
Voltage	≤ 250 V AC    ≤ 50 V DC
Current max.	≤ 3 A            ≤ 1.2 A



Wiring diagram