



VAT Vakuumventile AG
CH-9469 Haag, Schweiz

Product data sheet

Large vacuum gate valve, Series 191, DN 800 (ID 32")
Ordering No. 19158-PE44

Description

| | |
|-------------|--|
| Flange | ISO-F 800 |
| Actuator | pneumatic, double acting – with solenoid valve – with position indicator |
| Feedthrough | Bellow |

Technical data

| | | |
|--|--|---|
| Leak rate | – Valve body – Valve seat | $< 1 \cdot 10^{-9}$ mbar ls ⁻¹ $< 1 \cdot 10^{-9}$ mbar ls ⁻¹ |
| Pressure range | | $1 \cdot 10^{-8}$ mbar to 1 bar (abs) |
| Differential pressure on the plate | – in opening direction – in closing direction | ≤ 1 bar ≤ 1 bar |
| Differential pressure at opening | | ≤ 10 mbar |
| Conductance (molecular flow) | ISO-F | 280000 ls ⁻¹ |
| Cycles until first service | | 10 000 (unheated and under clean conditions) |
| Temperature (Maximum values: depending on operating conditions and sealing materials) | – Valve Body – Actuator – Solenoid valve – Position indicator | ≤ 150 °C ≤ 80 °C ≤ 50 °C ≤ 80 °C |
| Heating and cooling rate | | 5 °C h ⁻¹ |
| Material | – Valve Body – Mechanism – Bellows | AISI 304 (1.4301) EN AW-6082 (3.2315), AISI 304 (1.4301) AISI 316L (1.4435) or AISI 304L (1.4306) |
| Seal | – Bonnet – Gate – Actuator | FKM (Viton®) FKM (Viton®) NBR |
| Mounting position | | any |
| Volume of pneumatic actuator | | 11.0 l / 0.388 ft ³ |
| Compressed air min. – max. overpressure | | 6 – 9 bar / 87 – 131 psi |
| Compressed air connection | | G $\frac{1}{8}$ " ISO / NPT |
| Actuation time | – closing – opening | 35 s 35 s |
| Weight | | 730 kg / 1610 lbs |

| | | |
|-----------------|--------------------------|-----------------|
| Created by: HDE | Release date: 2014-06-17 | 1 of 2 |
| Modified by: | Release date: | 298122EA |



VAT Vakuumventile AG
CH-9469 Haag, Schweiz

Product data sheet

Large vacuum gate valve, Series 191, DN 800 (ID 32")
Ordering No. 19158-PE44

Behavior in case of
compressed air pressure drop

- Valve closed
- Valve open
- During actuation

valve remains closed
undefined
undefined

Behavior in case of power
failure

- Valve closed
- Valve open
- During actuation

valve remains closed
valve closes
valve closes

Electrical connections

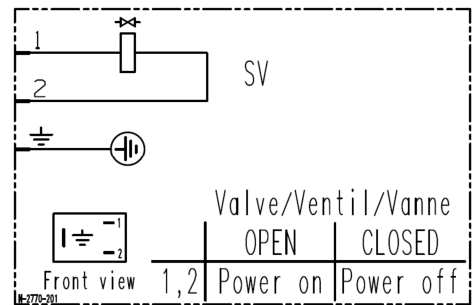
Solenoid valve

Type

5/2 way

Voltage

Defined by order



Wiring diagram

Position indicator

Type

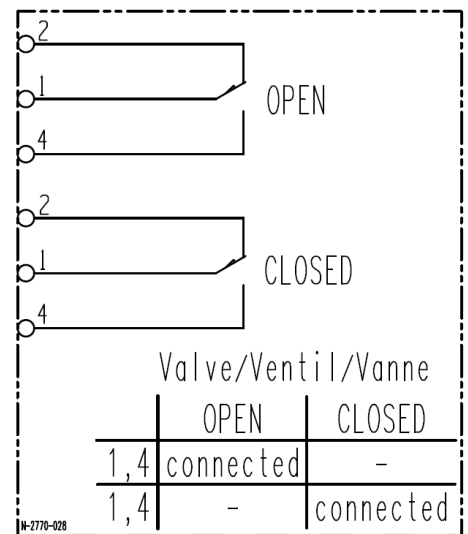
Micro switch

Voltage

≤ 250 V AC ≤ 50 V DC

Current max.

≤ 3 A ≤ 1.2 A



Wiring diagram