



VAT Vakuumventile AG
CH-9469 Haag, Schweiz

Product data sheet

Large vacuum gate valve, Series 192, DN 400 (ID 16")
Ordering No. 19252-PE44

Description

Flange	ISO-F 400
Actuator	pneumatic, double acting – with solenoid valve – with position indicator
Feedthrough	Bellow

Technical data

Leak rate	– Valve body – Valve seat	$< 5 \cdot 10^{-10}$ mbar ls ⁻¹ $< 1 \cdot 10^{-9}$ mbar ls ⁻¹
Pressure range		$1 \cdot 10^{-10}$ mbar to 1 bar (abs)
Differential pressure on the plate	– in opening direction – in closing direction	≤ 1 bar ≤ 1 bar
Differential pressure at opening		≤ 20 mbar
Conductance (molecular flow)	ISO-F	50000 ls ⁻¹
Cycles until first service		20 000 (unheated and under clean conditions)
Temperature (Maximum values: depending on operating conditions and sealing materials)	– Valve Body – Actuator – Solenoid valve – Position indicator	≤ 150 °C ≤ 80 °C ≤ 50 °C ≤ 80 °C
Heating and cooling rate		30 °C h ⁻¹
Material	– Valve Body – [Mechanism] – Bellows	AISI 304 (1.4301) EN AW-6082 (3.2315), AISI 304 (1.4301) AISI 316L (1.4435) or AISI 304L (1.4306)
Seal	– Bonnet – Gate – Actuator	metal FKM (Viton®) NBR
Mounting position		any
Volume of pneumatic actuator		2.1 l / 0.074 ft ³
Compressed air min. – max. overpressure		5 – 9 bar / 73 – 131 psi
Compressed air connection		G $\frac{1}{8}$ " ISO / NPT
Actuation time	– closing – opening	10 s 10 s
Weight		160 kg / 353 lbs
Behavior in case of compressed air pressure drop	– Valve closed – Valve open – During actuation	valve remains closed undefined undefined

Created by: HDE	Release date: 2013-11-18	1 of 2
Modified by:	Release date:	299127EA



VAT Vakuumentile AG
CH-9469 Haag, Schweiz

Product data sheet

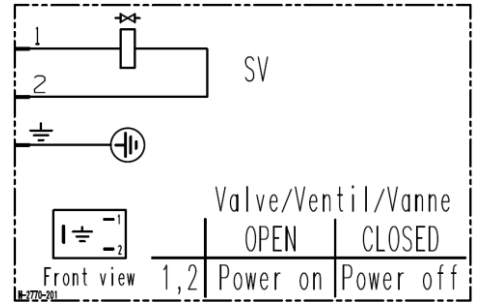
Large vacuum gate valve, Series 192, DN 400 (ID 16")
Ordering No. 19252-PE44

Behavior in case of power failure	- Valve closed	valve remains closed
	- Valve open	valve closes
	- During actuation	valve closes

Electrical connections

Solenoid valve

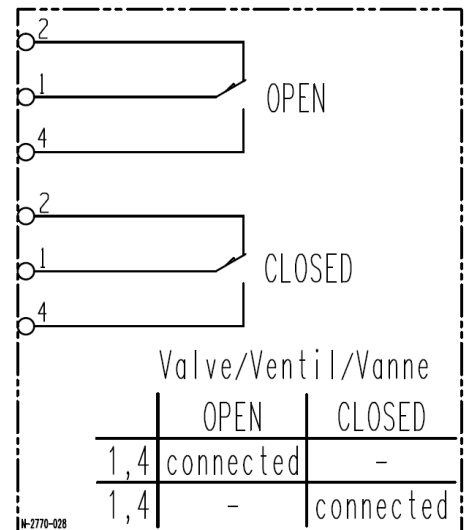
Type	5/2 way
Voltage	Defined by order



Wiring diagram

Position indicator

Type	Micro switch
Voltage	≤ 250 V AC ≤ 50 V DC
Current max.	≤ 3 A ≤ 1.2 A
Connection	PVC cable, 4 wire
Cable length	500 mm
Cable cross section	0.25 mm ²



Wiring diagram