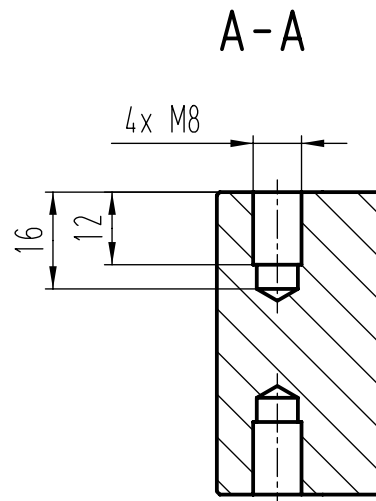
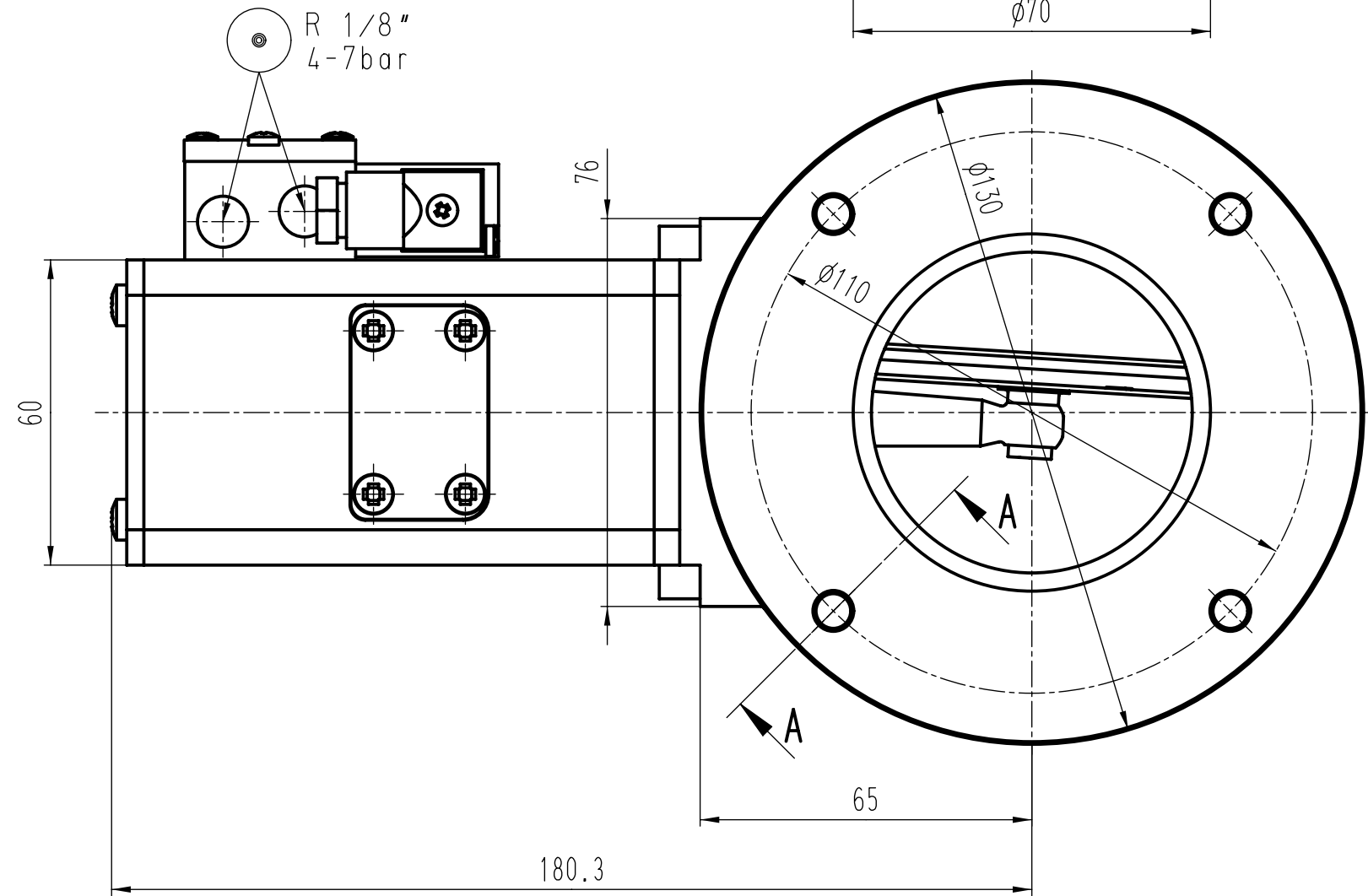
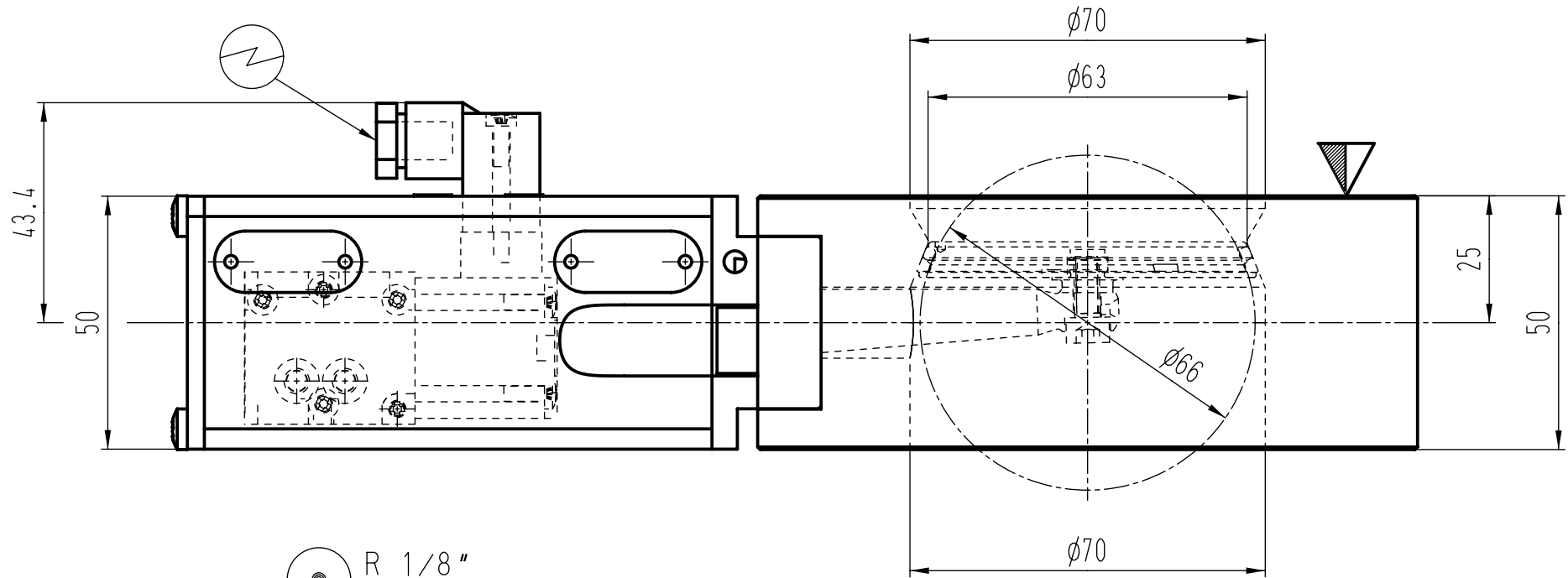
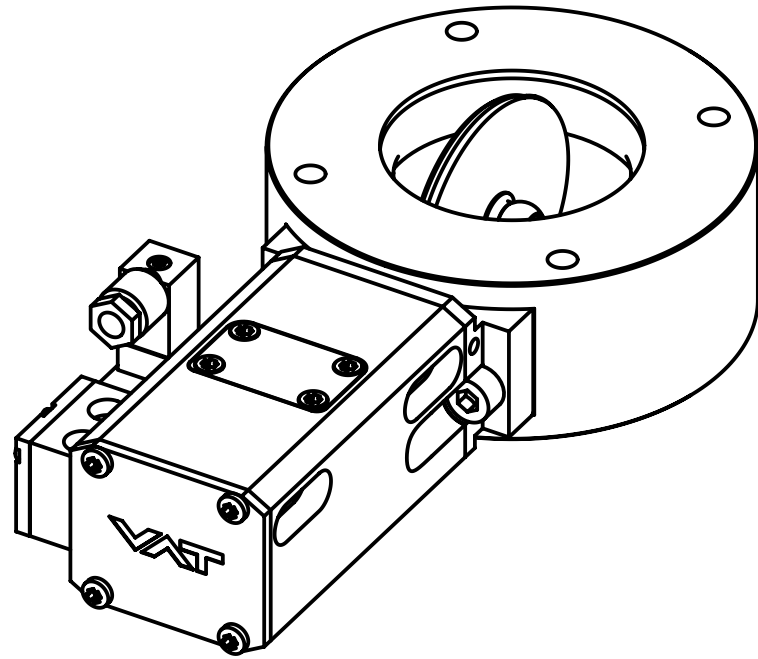


This drawing is the property of VAT.
 Without the written consent of VAT, it must
 not be copied or distributed to a third person



- ▼ Seat side
- ⊙ Comp. air connection
- ⊕ Electrical connection
- ⊖ Leak detection port
- ⊗ Mech. pos. indication
- ⊘ Position indicator
- ⊙* Required for dismantling
- ⊙ Emergency actuation
- ⊙ For attachment
- ⊙ Bake-out area
- ⊙ Differential pumping port

Vatterfly Valve
 pneumatic actuator

VAT Vakuumentile AG
 CH-9469 Haag, Switzerland
 Tel ++41 81 7716161 Fax ++41 81 7714830

Date: 17.06.04
 Name: BCH

Series	203	Ordering No.	20336-PA34-0001
Projection E	63	DN	Flange
			ISO-F
Dimensional Drawing	251537		Rev.

Revision	
Code	
Date	
Name	