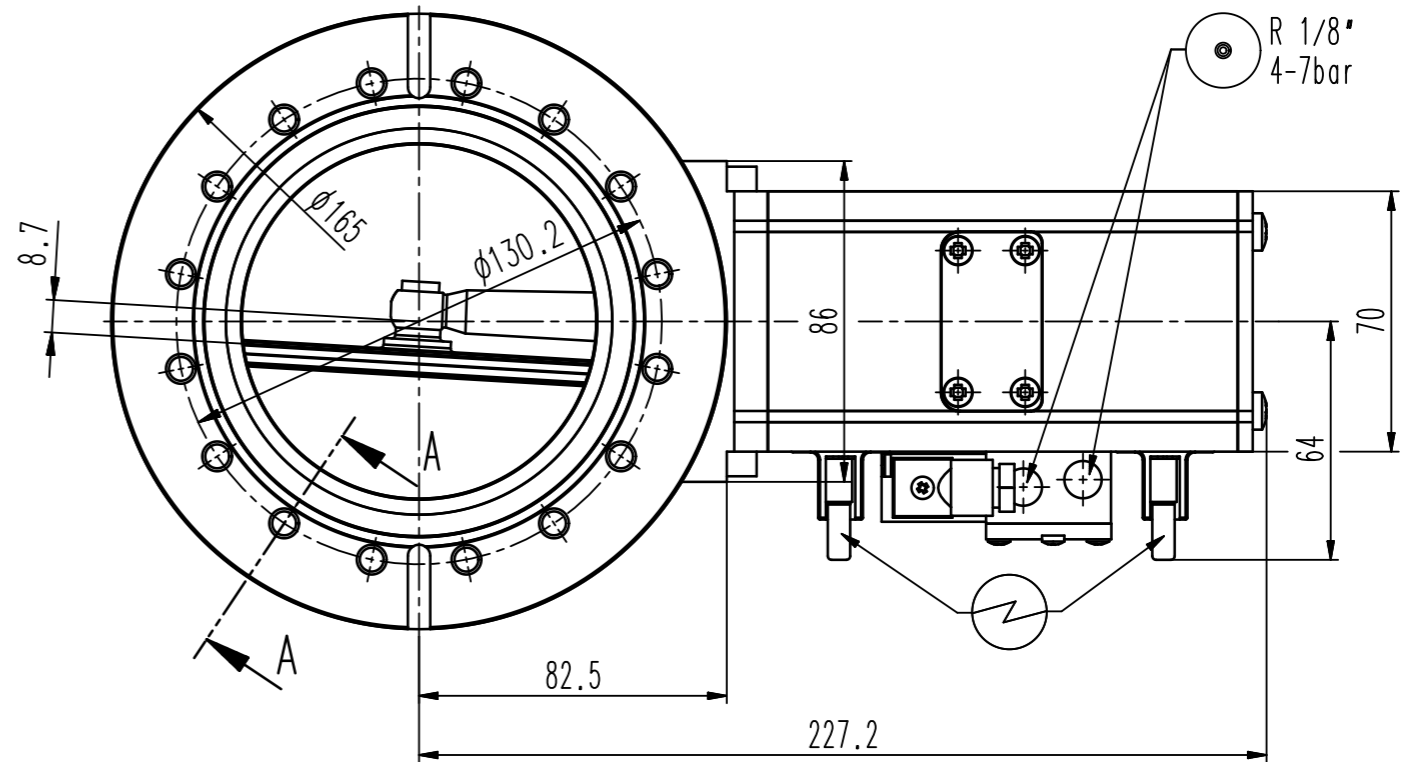
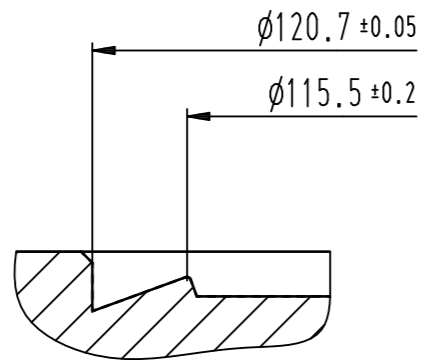
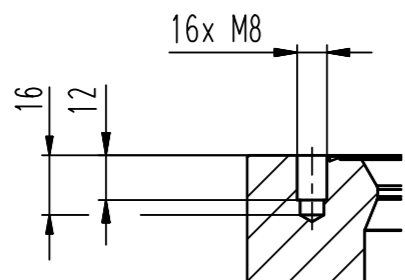


X 5:1



A-A



- ▼ Seat side
- ⊙ Comp. air connection
- ⊙ Electrical connection
- ⊙ Leak detection port
- ⊙ Mech. pos. indication
- ⊙ Position indicator
- ⊙ Required for dismantling
- ⊙ Emergency actuation
- ⊙ For attachment
- ⊙ Bake-out area
- ⊙ Differential pumping port

### Butterfly valve



VAT Vakuumentile AG  
 CH-9469 Haag, Switzerland  
 Tel ++41 81 7716161 Fax ++41 81 7714830

Date: 30.05.08  
 Name: KIM

Series	203	Ordering No.	20340-CE44-0002
Projection E	DN	Flange	
	100	CF-F m	
Dimensional Drawing	373614	Rev.	