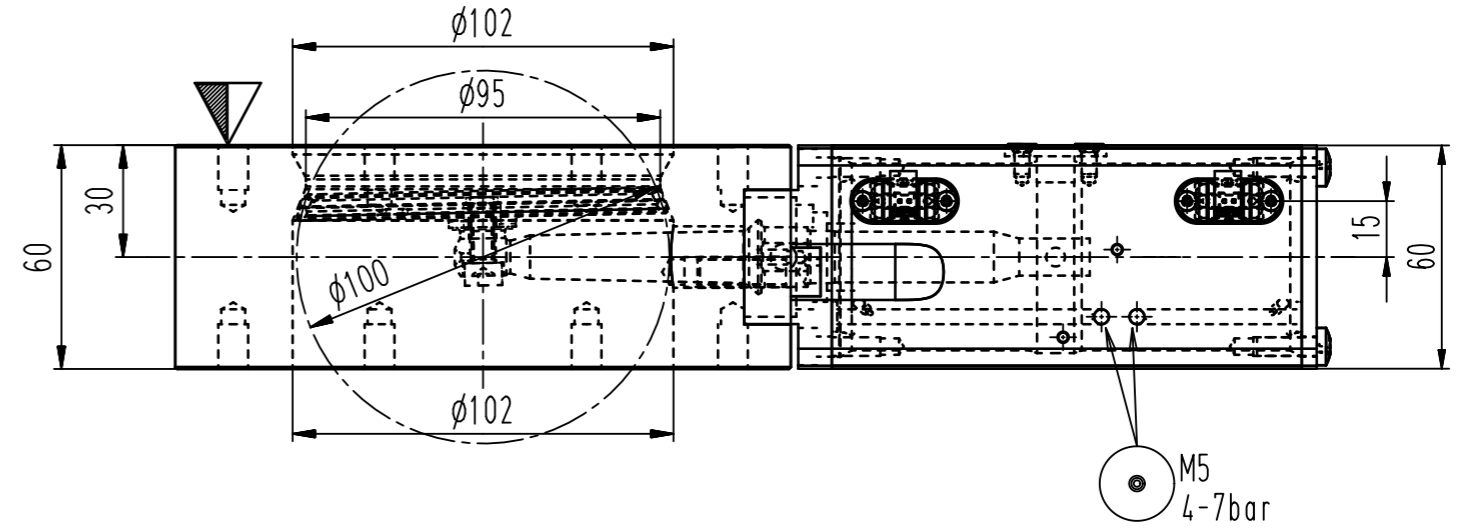
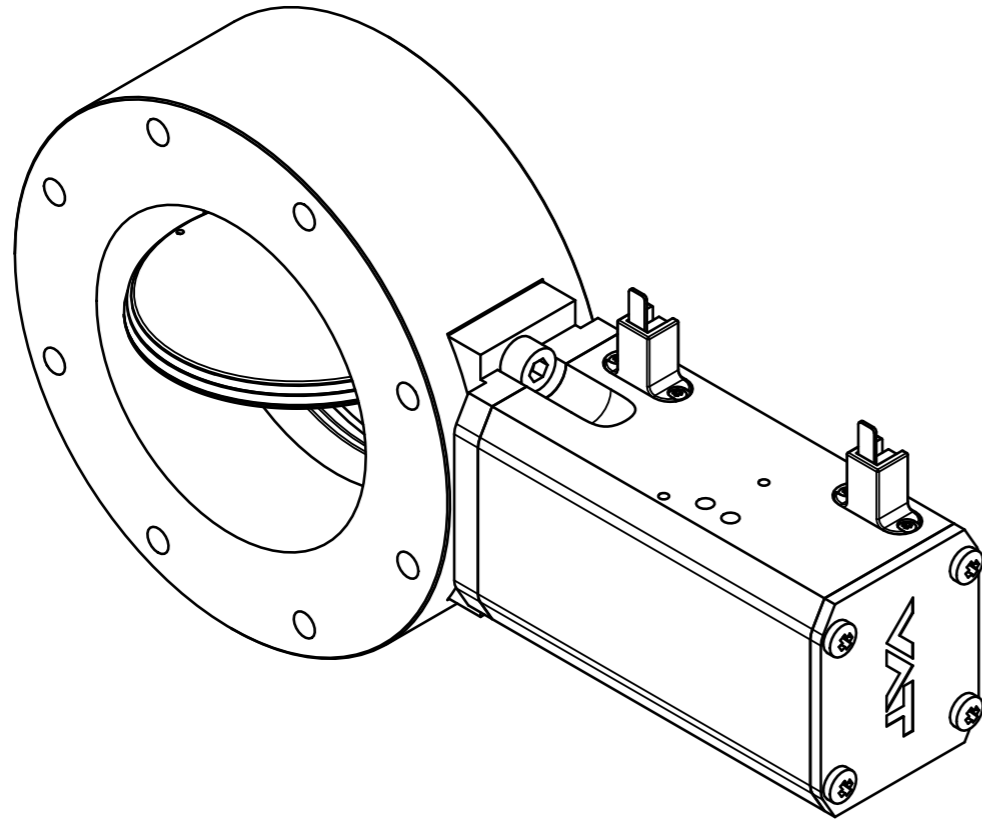


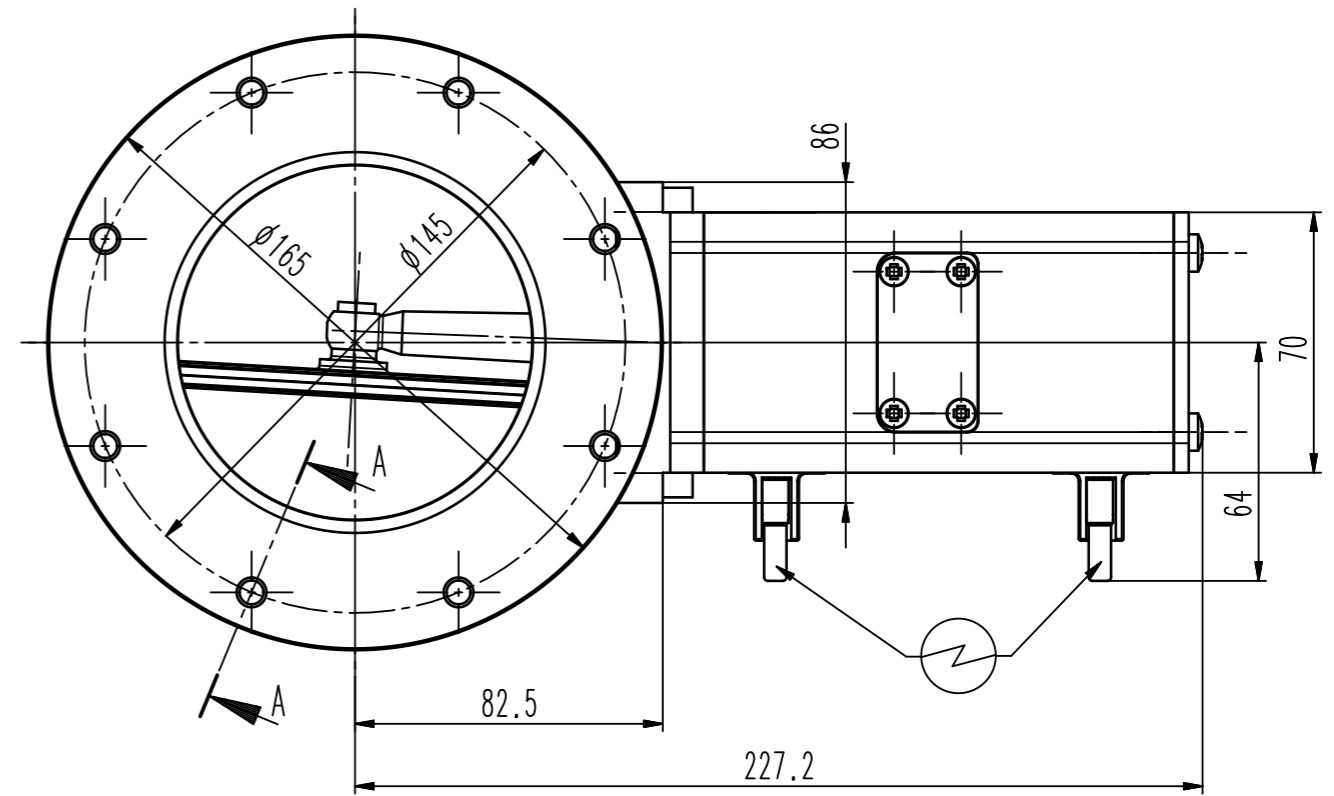
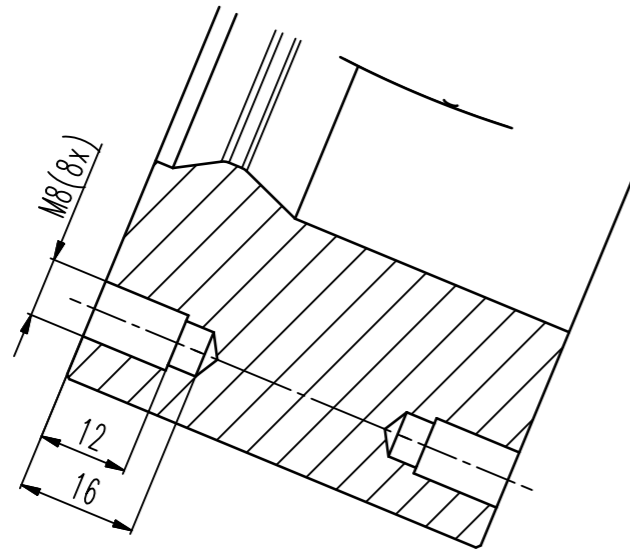
This drawing is the property of VAT.

Revision

Customer number



A-A



- ▼ Seat side
- ⊙ Comp. air connection
- ⊕ Electrical connection
- ⊖ Leak detection port
- ⊗ Mech. pos. indication
- ⊘ Position indicator
- ⊙* Required for dismantling
- ⊙⊕ Emergency actuation
- ⊙⊖ For attachment
- ⊙⊗ Bake-out area
- ⊙⊘ Differential pumping port

Butterfly valve



VAT Vakuumentile AG
 CH-9469 Haag, Switzerland
 Tel ++41 81 7716161 Fax ++41 81 7714830

Date: 20.05.08
 Name: KIM

Series	203	Ordering No.	20340-PA24-0002
Projection E	DN	Flange	
	100	ISO-F	
Dimensional Drawing	372780	Rev.	