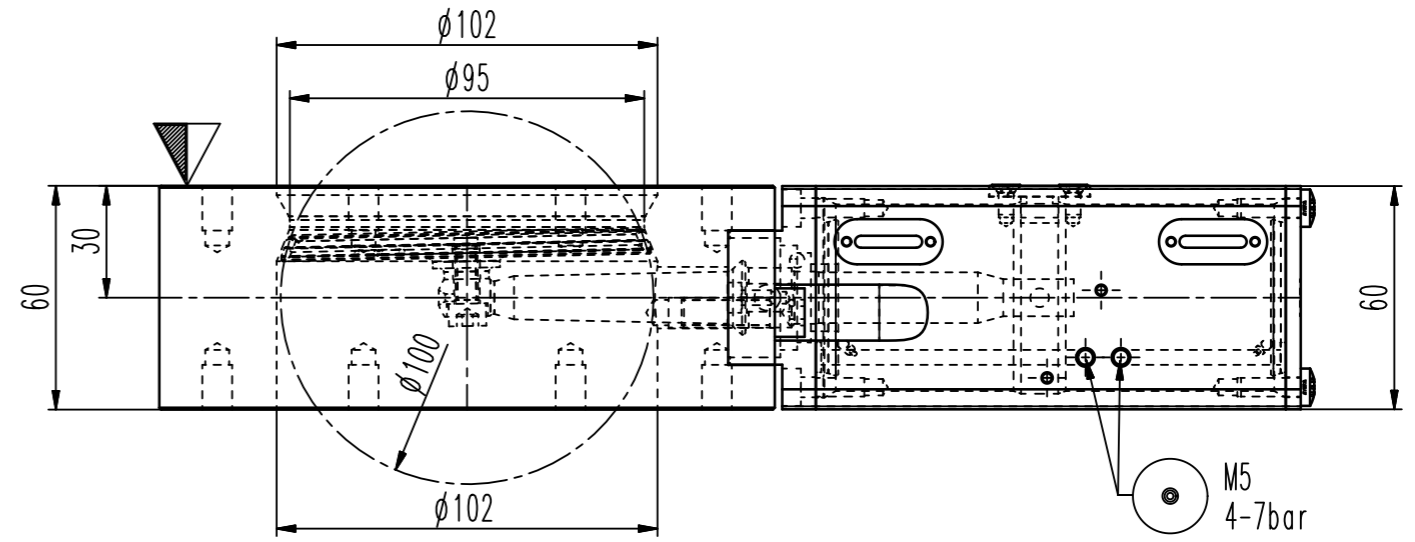
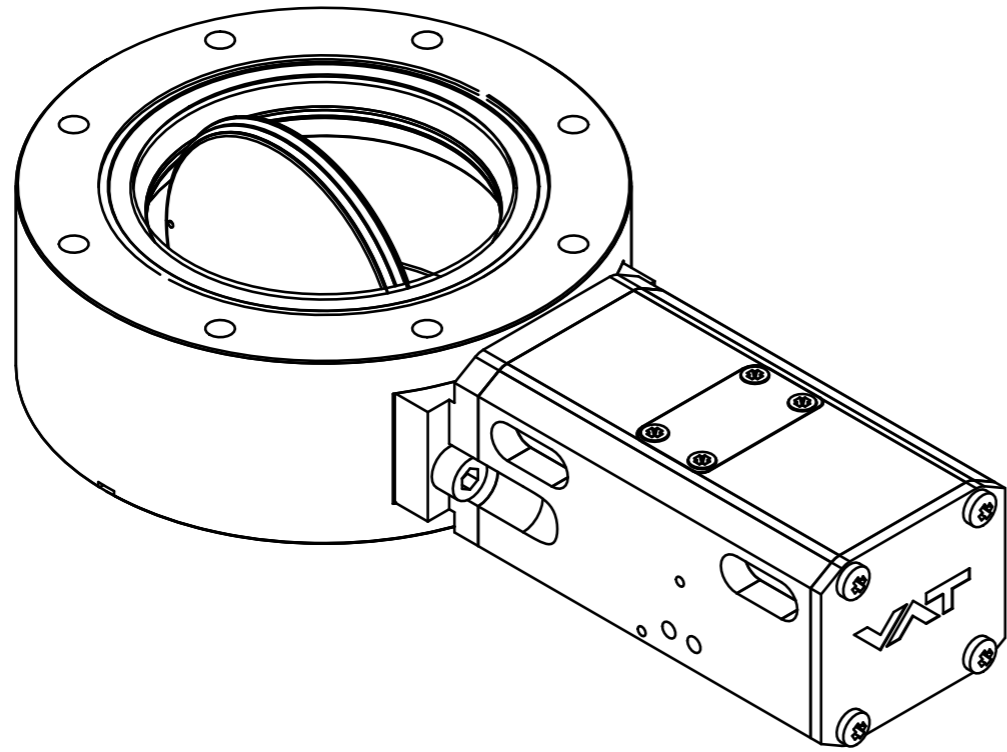


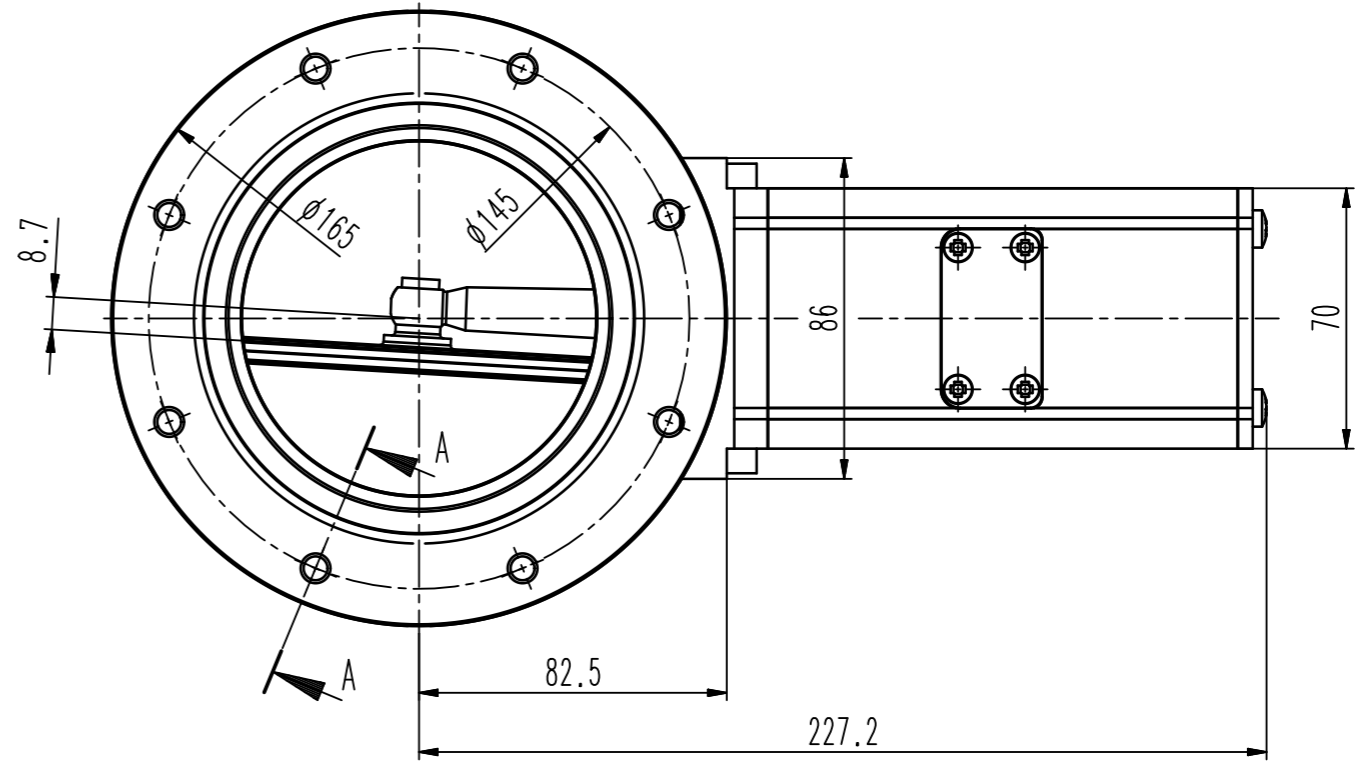
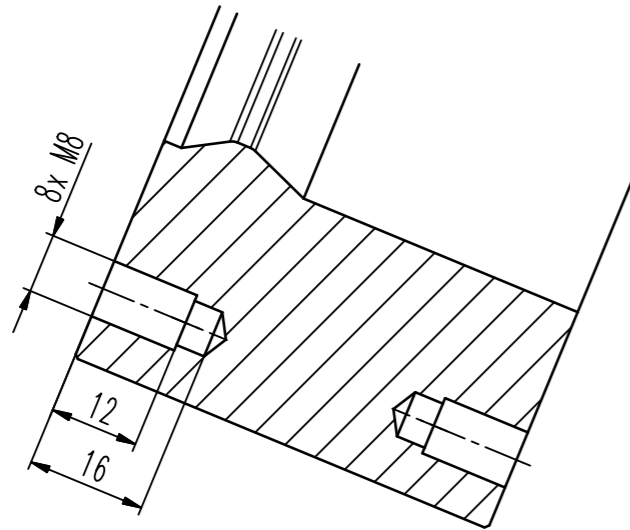
This drawing is the property of VAT.

Revision

Customer number



A-A



- ▼ Seat side
- ⊙ Comp. air connection
- ⊙ Electrical connection
- ⊙ Leak detection port
- ⊙ Mech. pos. indication
- ⊙ Position indicator
- ⊙ Required for dismantling
- ⊙ Emergency actuation
- ⊙ For attachment
- ⊙ Bake-out area
- ⊙ Differential pumping port

Butterfly valve



VAT Vakuumventile AG
 CH-9469 Haag, Switzerland
 Tel ++41 81 7716161 Fax ++41 81 7714830

Date: 03.06.08
 Name: KIM

Series	203	Ordering No.	20340-PE14-0002
Projection E	DN	Flange	
	100	ISO-F	
Dimensional Drawing	373755	Rev.	