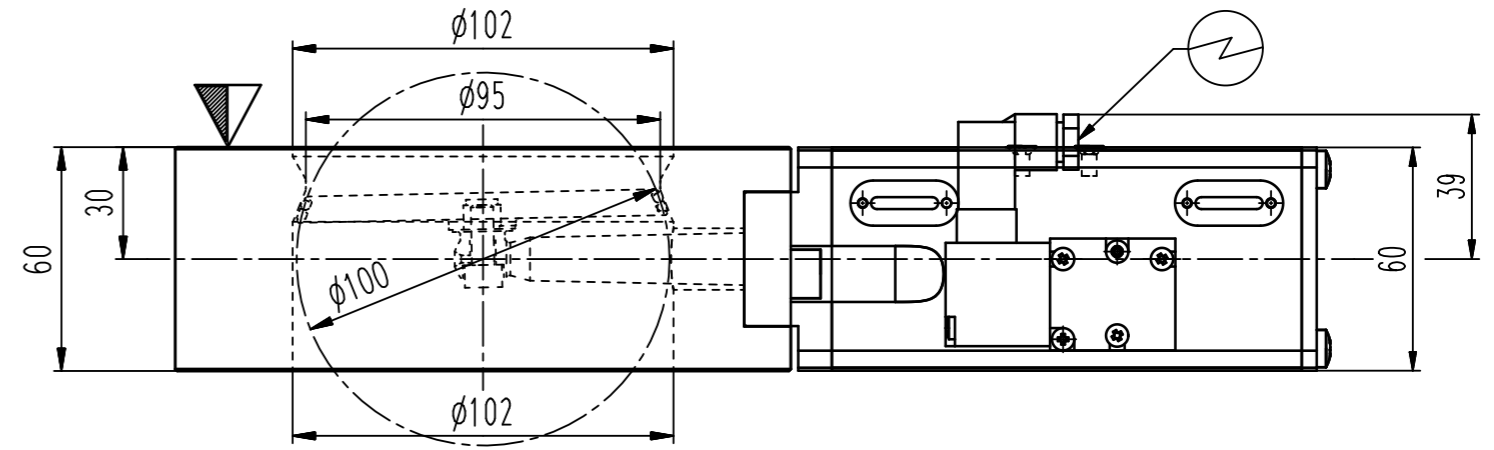
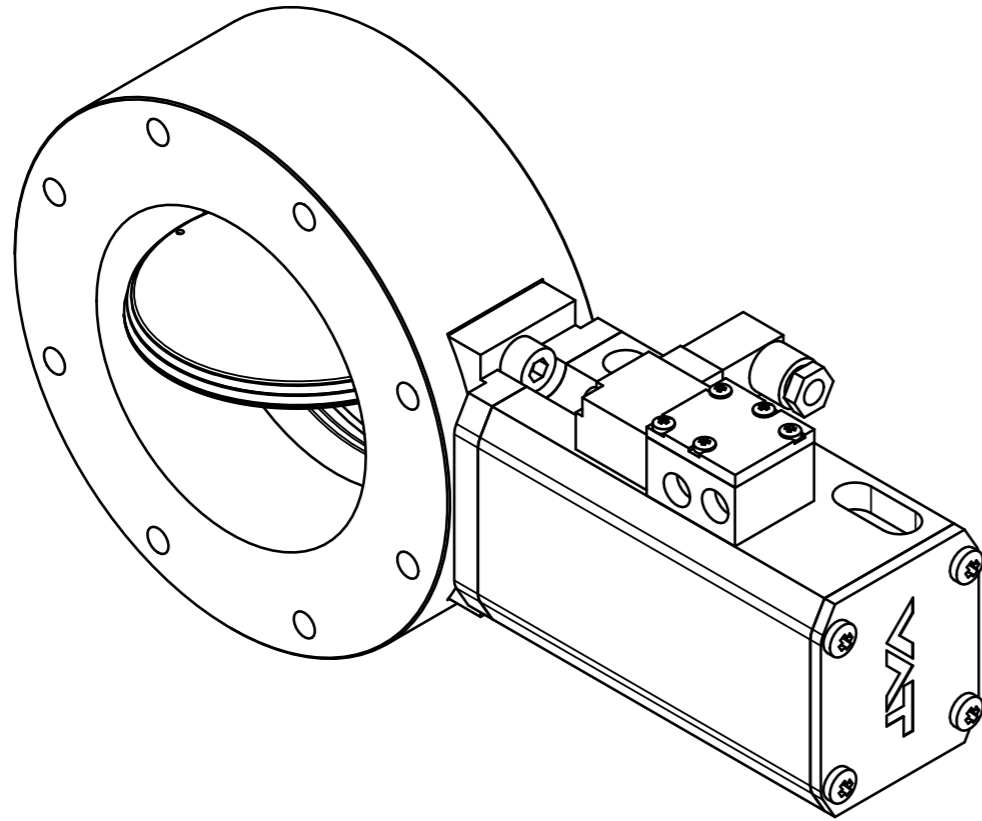


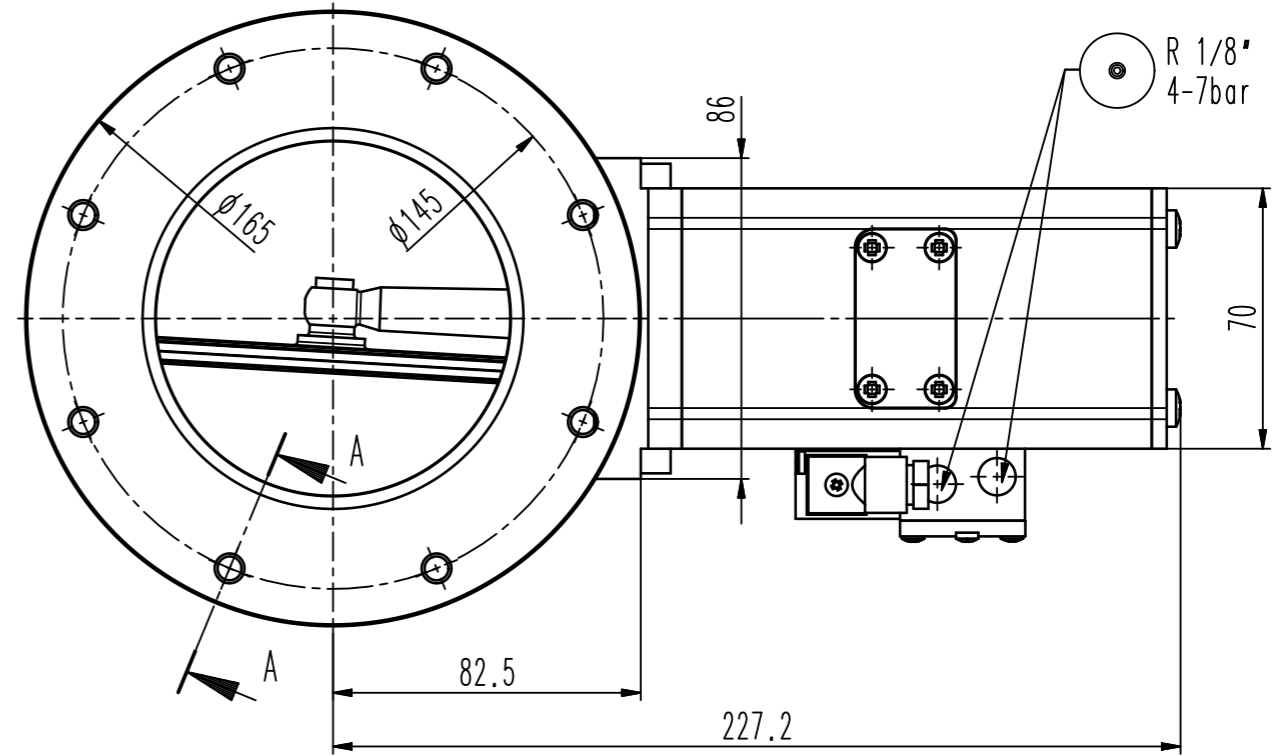
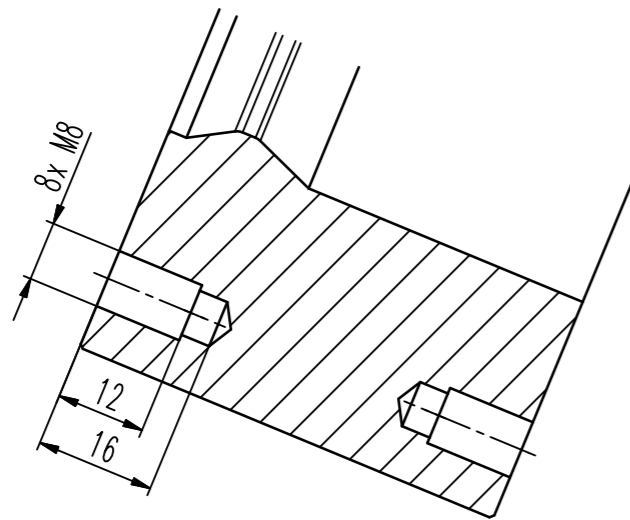
This drawing is the property of VAT.

Revision

Customer number



A-A



- ▼ Seat side
- ⊙ Comp. air connection
- ⊕ Electrical connection
- ⊖ Leak detection port
- ⊗ Mech. pos. indication
- ⊘ Position indicator
- ⊙* Required for dismantling
- ⊙⊕ Emergency actuation
- ⊙□ For attachment
- ⊙⊖ Bake-out area
- ⊙⊗ Differential pumping port

Butterfly valve



VAT Vakuumventile AG
 CH-9469 Haag, Switzerland
 Tel ++41 81 7716161 Fax ++41 81 7714830

Date: 03.06.08
 Name: KIM

Series	203	Ordering No.	20340-PE34-0002
Projection E		DN	100
		Flange	ISO-F
Dimensional Drawing			373774
		Rev.	