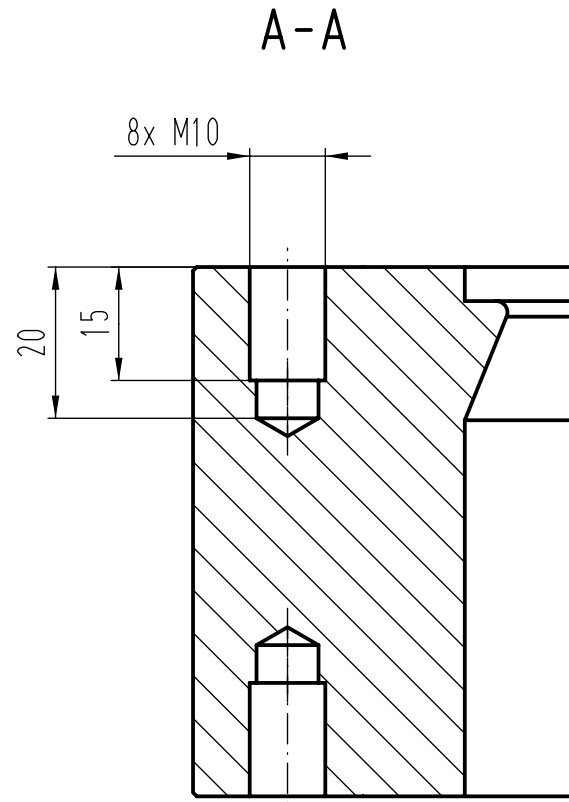
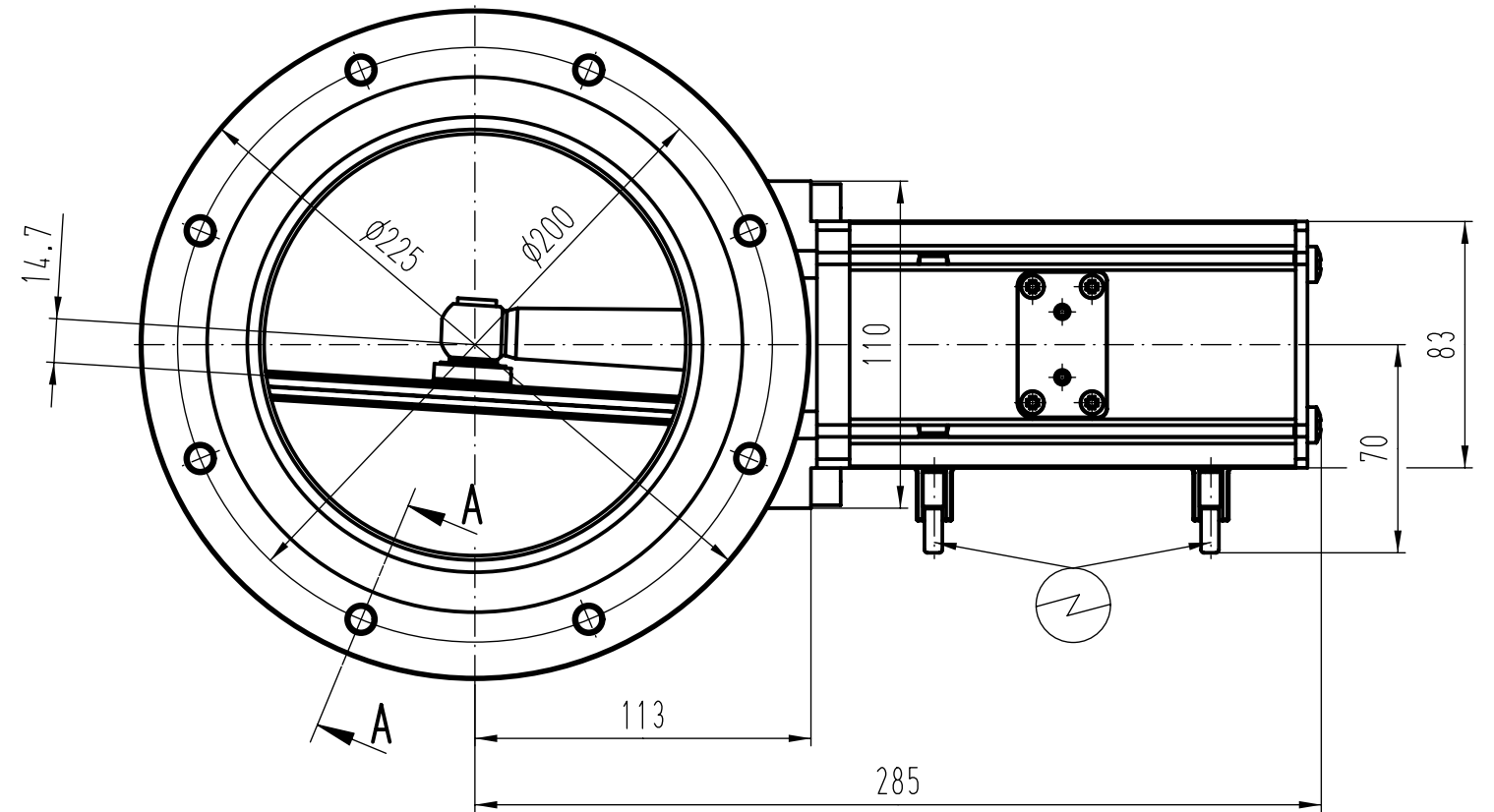
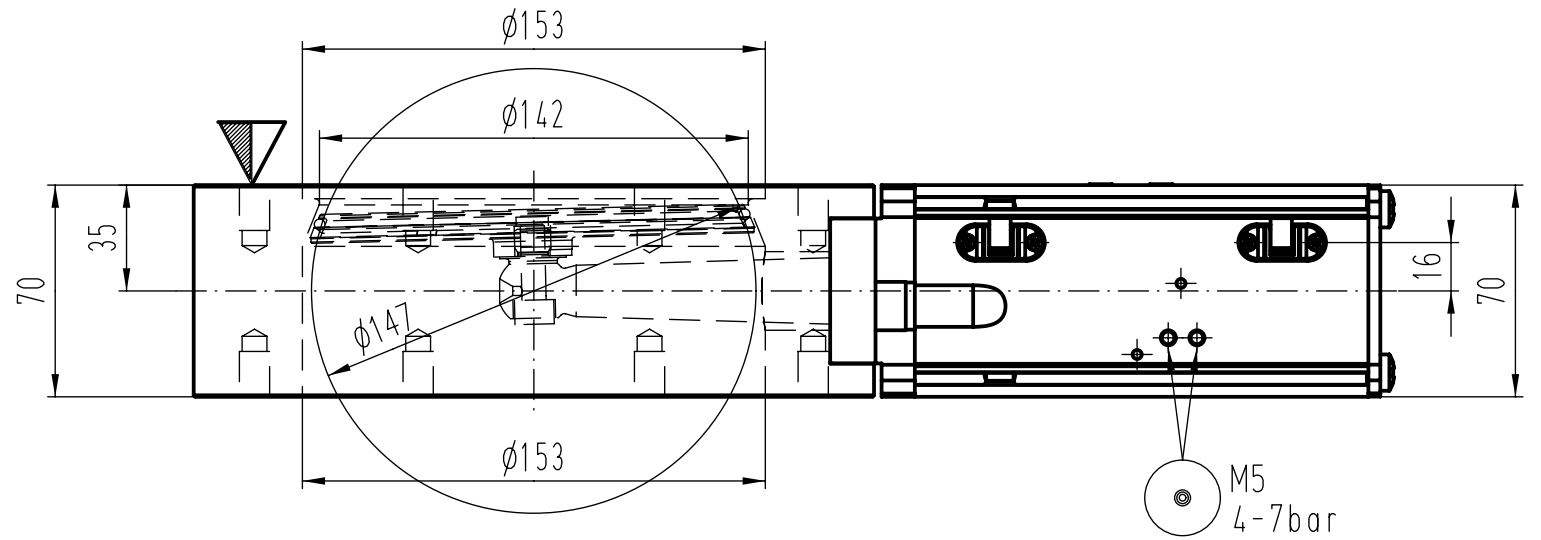
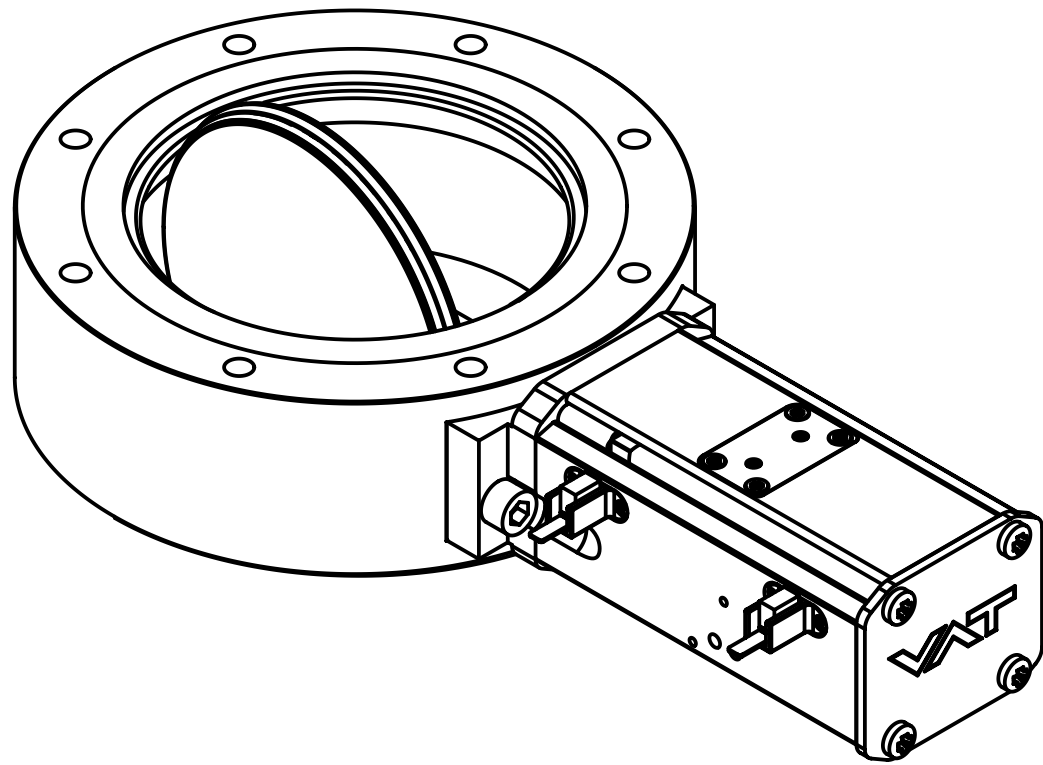


This drawing is the property of VAT.  
Without the written consent of VAT, it must  
not be copied or distributed to a third person



Revision			
Code			
Date			
Name			

- ▼ Seat side
- ⊙ Comp. air connection
- ⊕ Electrical connection
- ⊖ Leak detection port
- ⊙ Mech. pos. indication
- ⊙ Position indicator
- \* Required for dismantling
- ⊙ Emergency actuation
- For attachment
- ⊙ Bake-out area
- ⊙ Differential pumping port

### Vatterfly Valve

pneumatic actuator



**VAT Vakuumventile AG**  
CH-9469 Haag, Switzerland  
Tel ++41 81 7716161 Fax ++41 81 7714830

Date: 25.11.03  
Name: KIM

Series	203	Ordering No.	20344-PE24
Projection E		DN	160
		Flange	ISO-F
Dimensional Drawing	245009	Rev.	