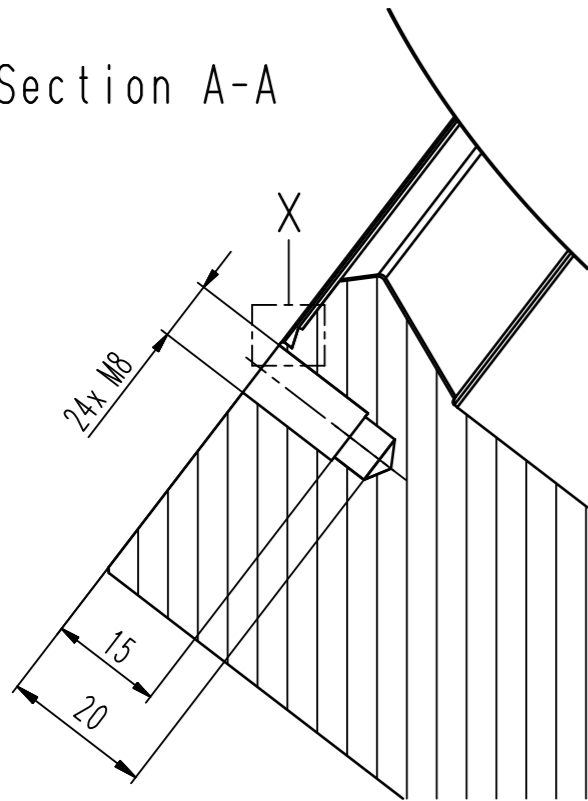
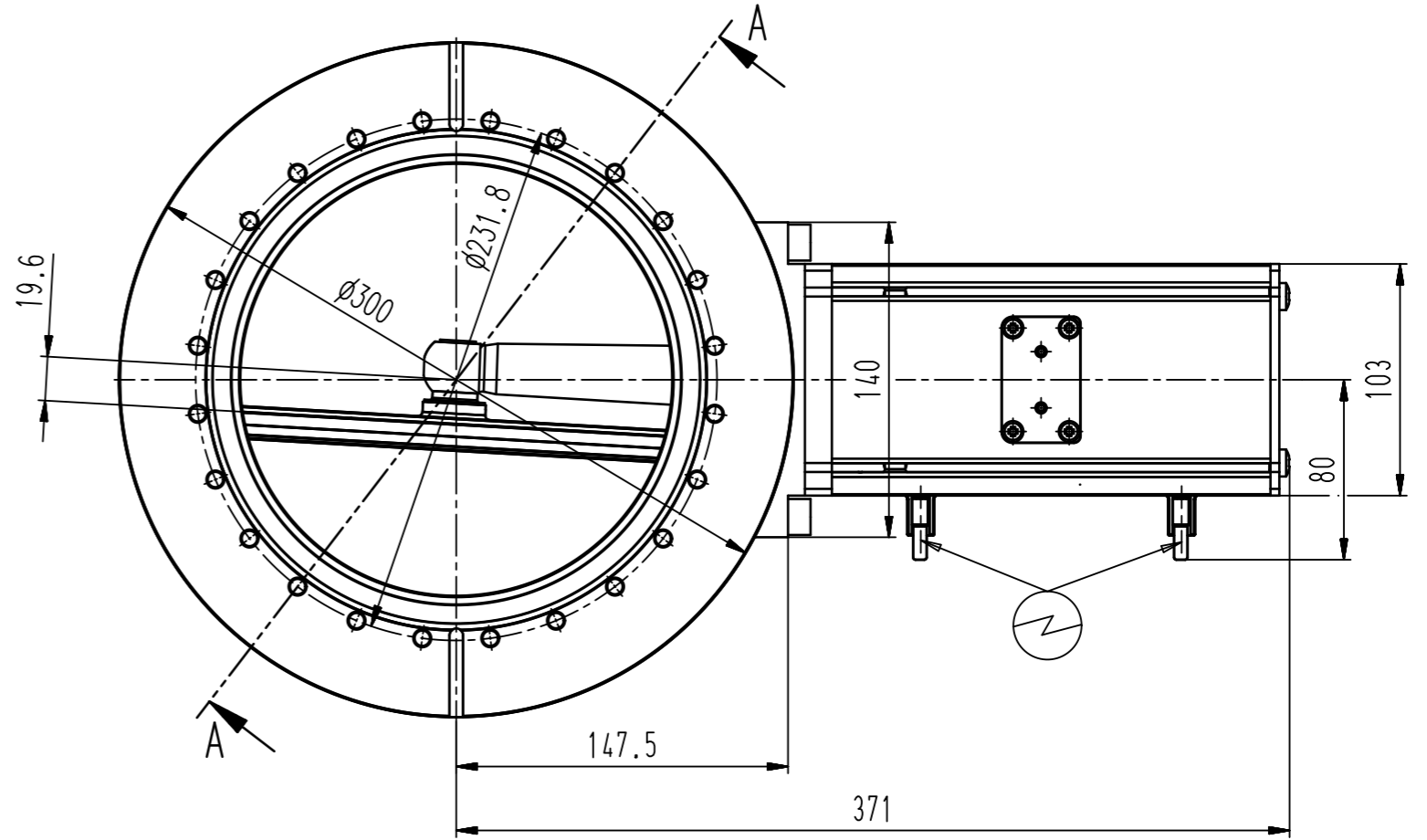
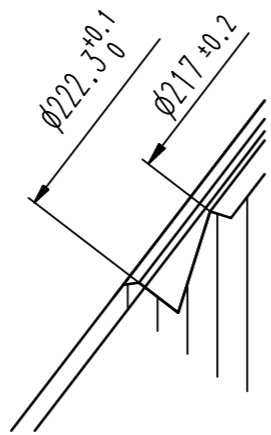


Section A-A



Detail X (5:1)



- ▼ Seat side
- ⊙ Comp. air connection
- ⊖ Electrical connection
- ⊙ Leak detection port
- ⊖ Mech. pos. indication
- ⊙ Position indicator
- ⊖ Required for dismantling
- ⊙ Emergency actuation
- ⊖ For attachment
- ⊙ Bake-out area
- ⊖ Differential pumping port

Butterfly valve



VAT Vakuumventile AG
 CH-9469 Haag, Switzerland
 Tel ++41 81 7716161 Fax ++41 81 7714830

Date: 26.11.03
 Name: KIM

Series	203	Ordering No.	20346-CE24-0001
Projection E	DN	Flange	
	200	CF-F m	
Dimensional Drawing	245110	Rev.	A