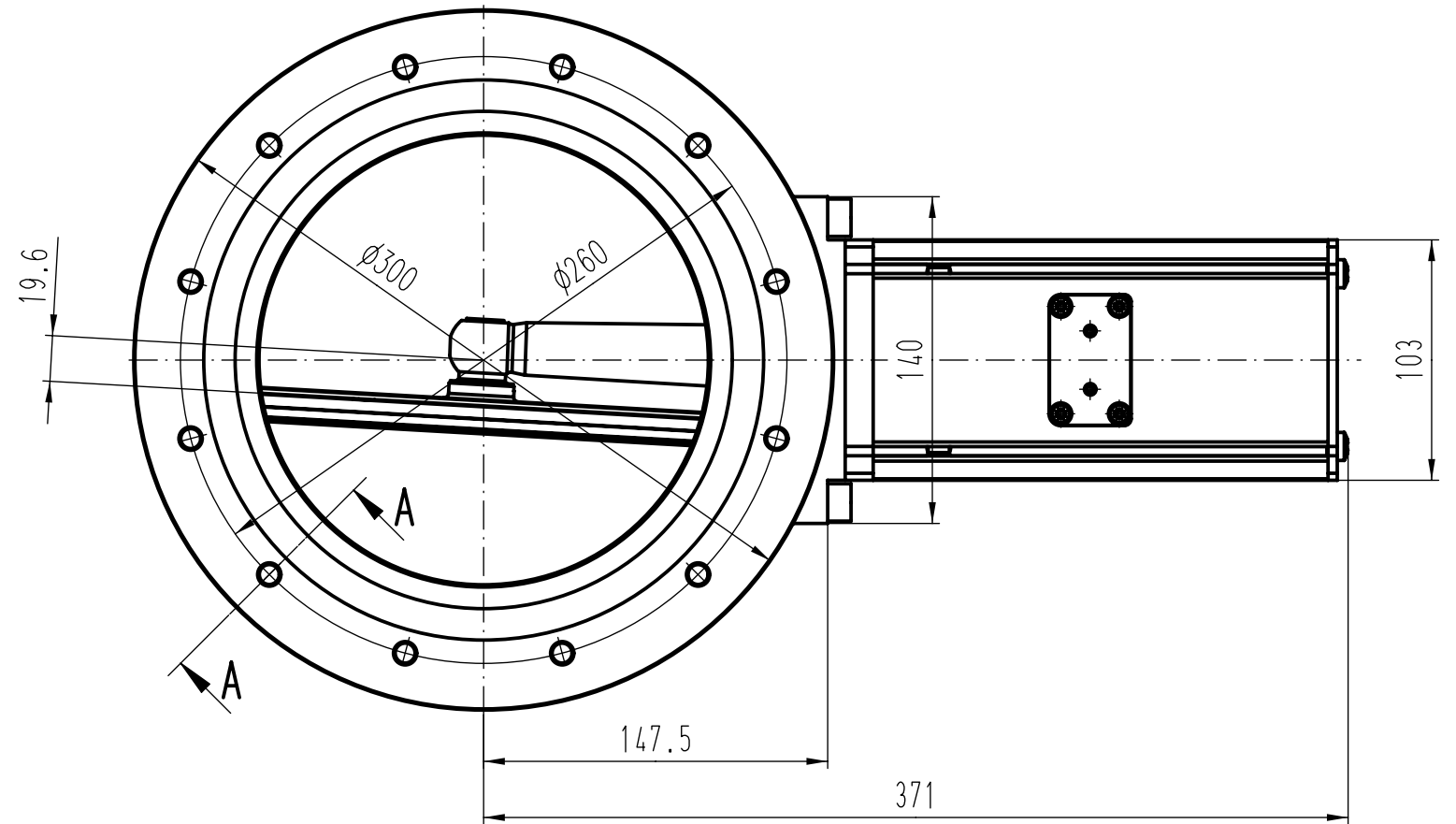
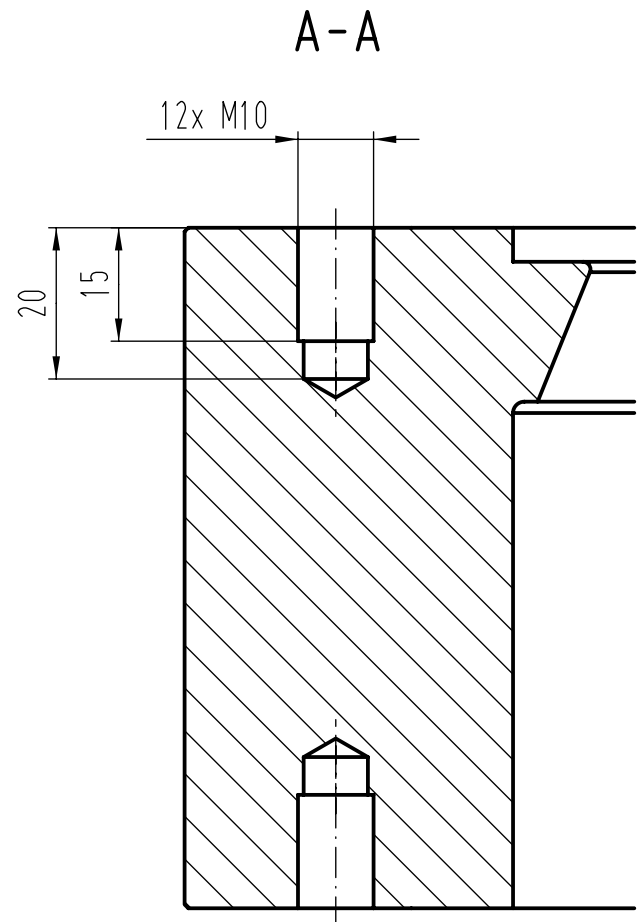
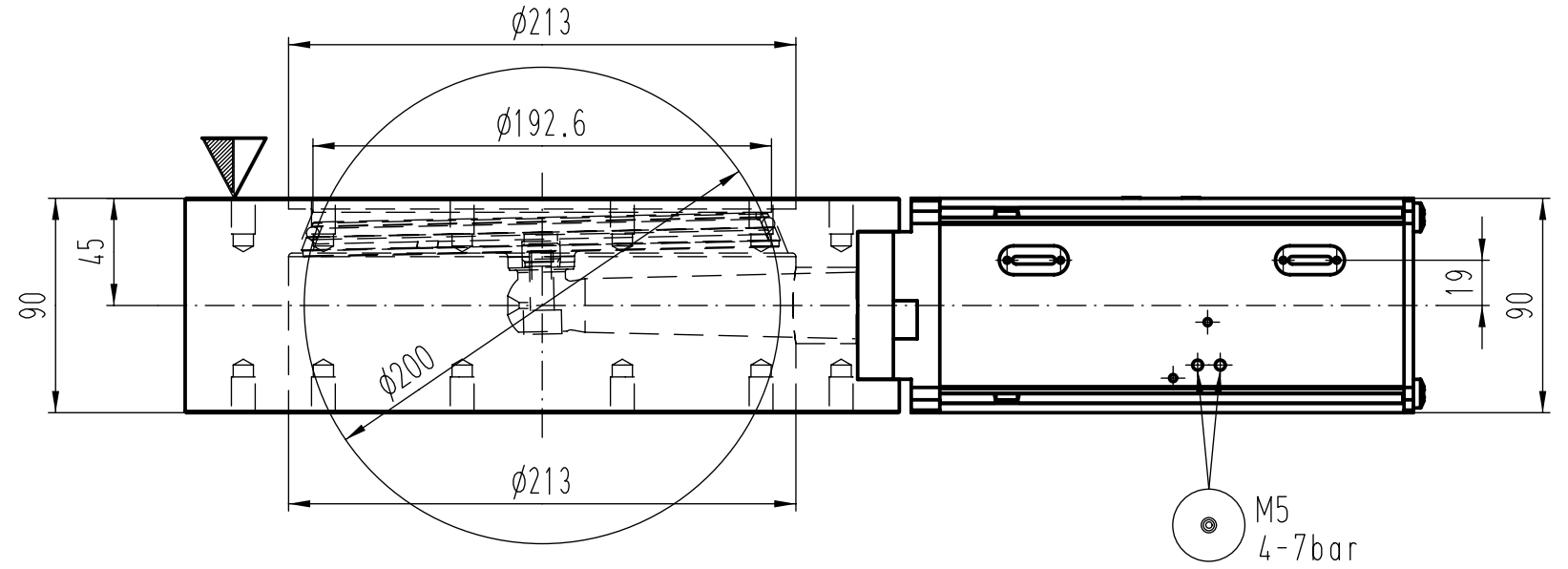
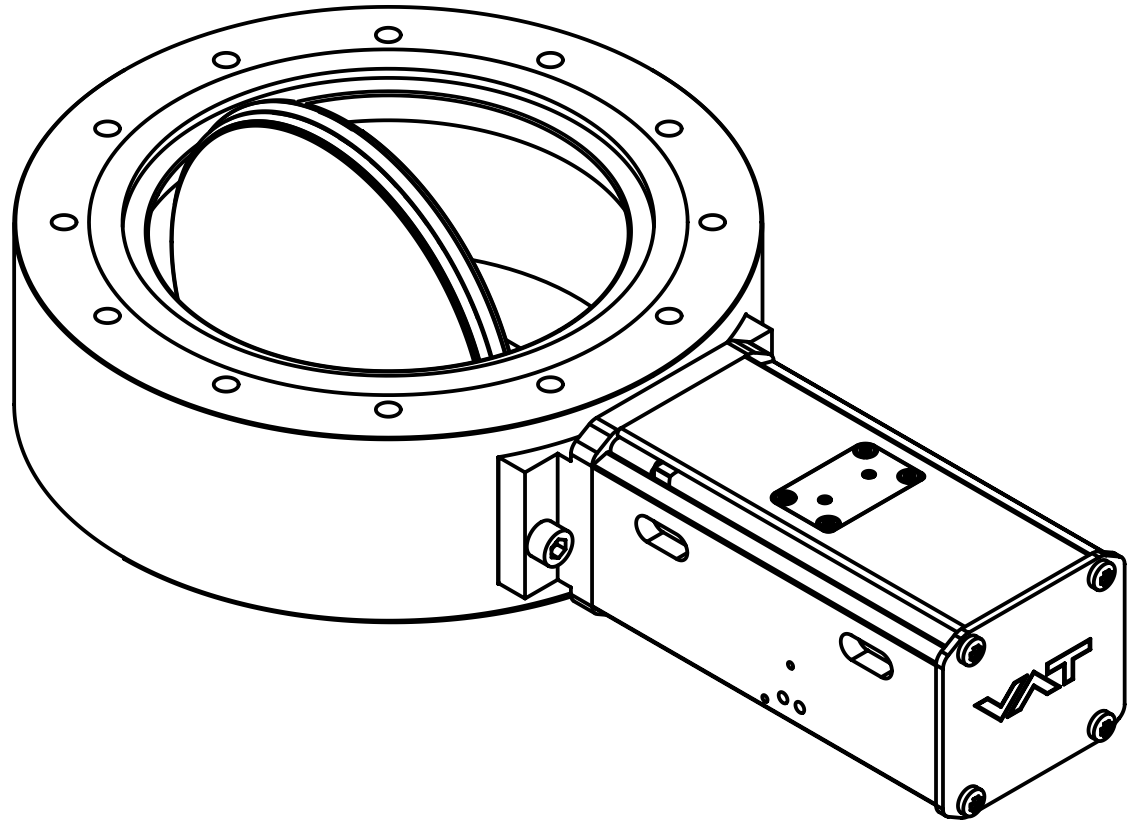


This drawing is the property of VAT.  
Without the written consent of VAT, it must  
not be copied or distributed to a third person



Revision	
Code	
Date	
Name	

- ▼ Seat side
- ⊙ Comp. air connection
- ⊙ Electrical connection
- ⊙ Leak detection port
- ⊙ Mech. pos. indication
- ⊙ Position indicator
- \* Required for dismantling
- ⊙ Emergency actuation
- For attachment
- Bake-out area
- ⊙ Differential pumping port

**Vatterfly Valve**  
pneumatic actuator

**VAT Vakuumventile AG**  
CH-9469 Haag, Switzerland  
Tel ++41 81 7716161 Fax ++41 81 7714830

Date: 25.11.03  
Name: KIM

Series	203	Ordering No.	20346-PE14
Projection E		DN	200
		Flange	ISO-F
Dimensional Drawing	245037	Rev.	