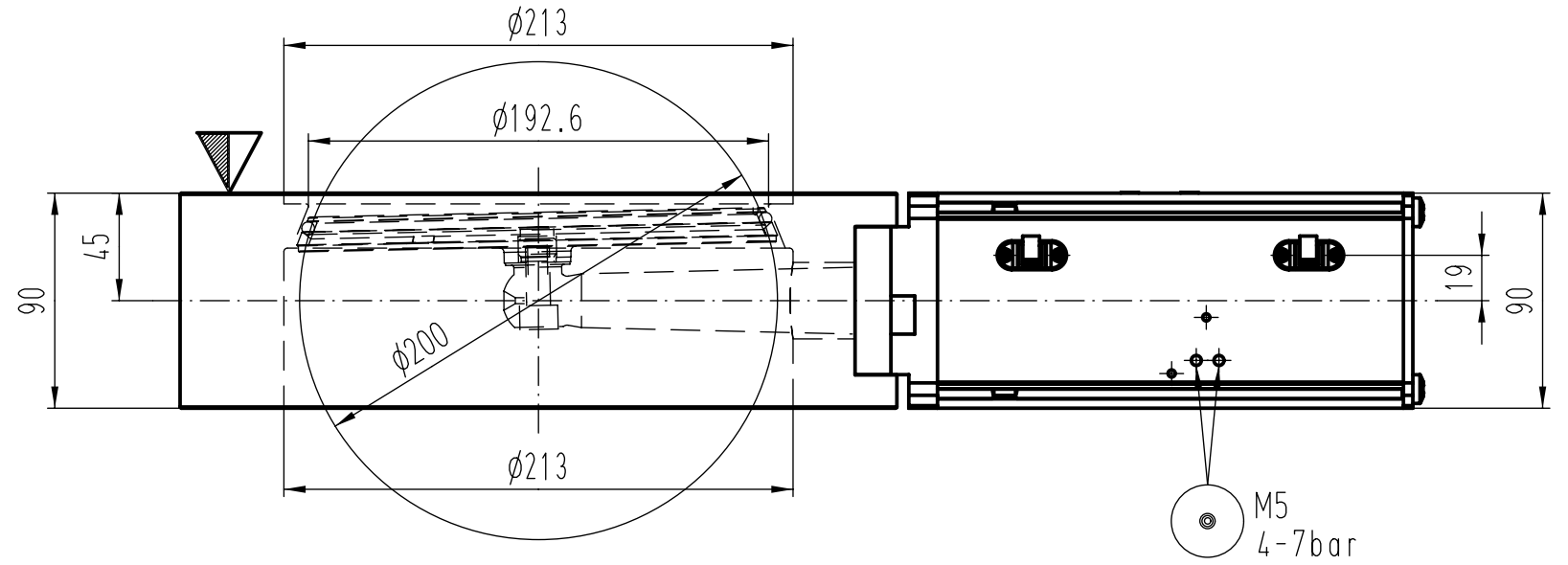
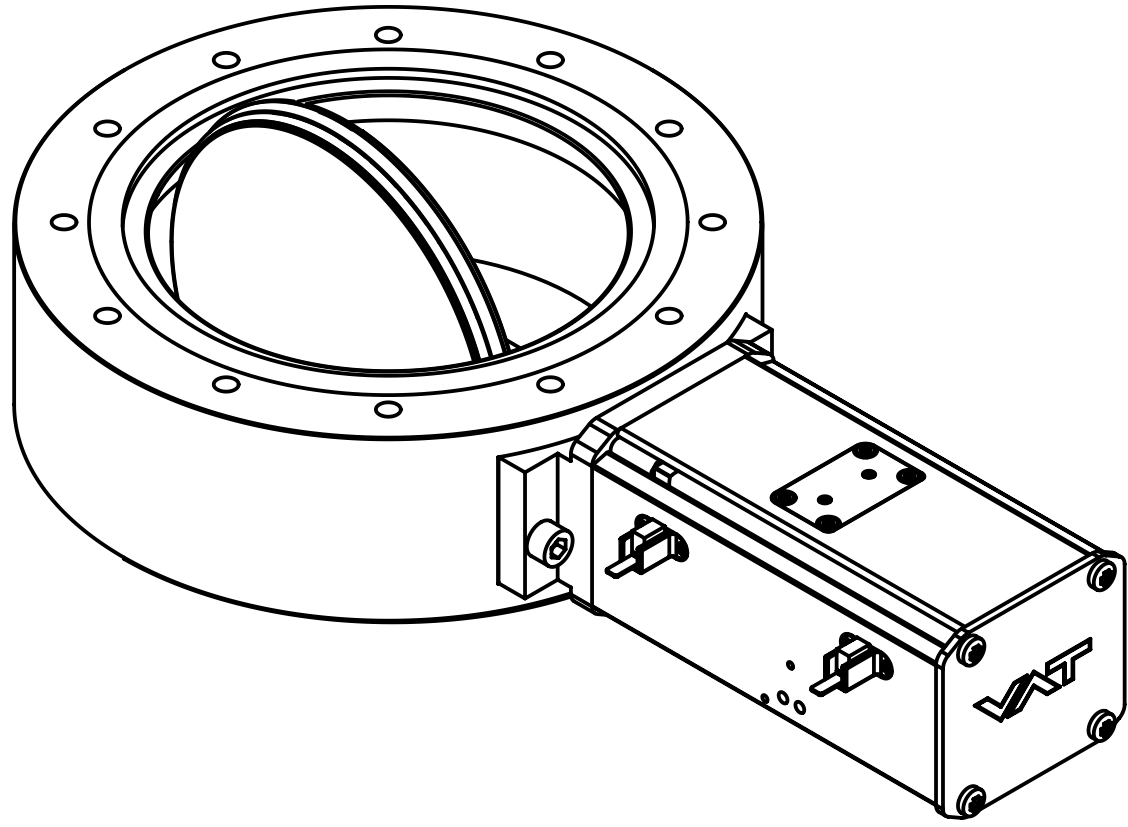
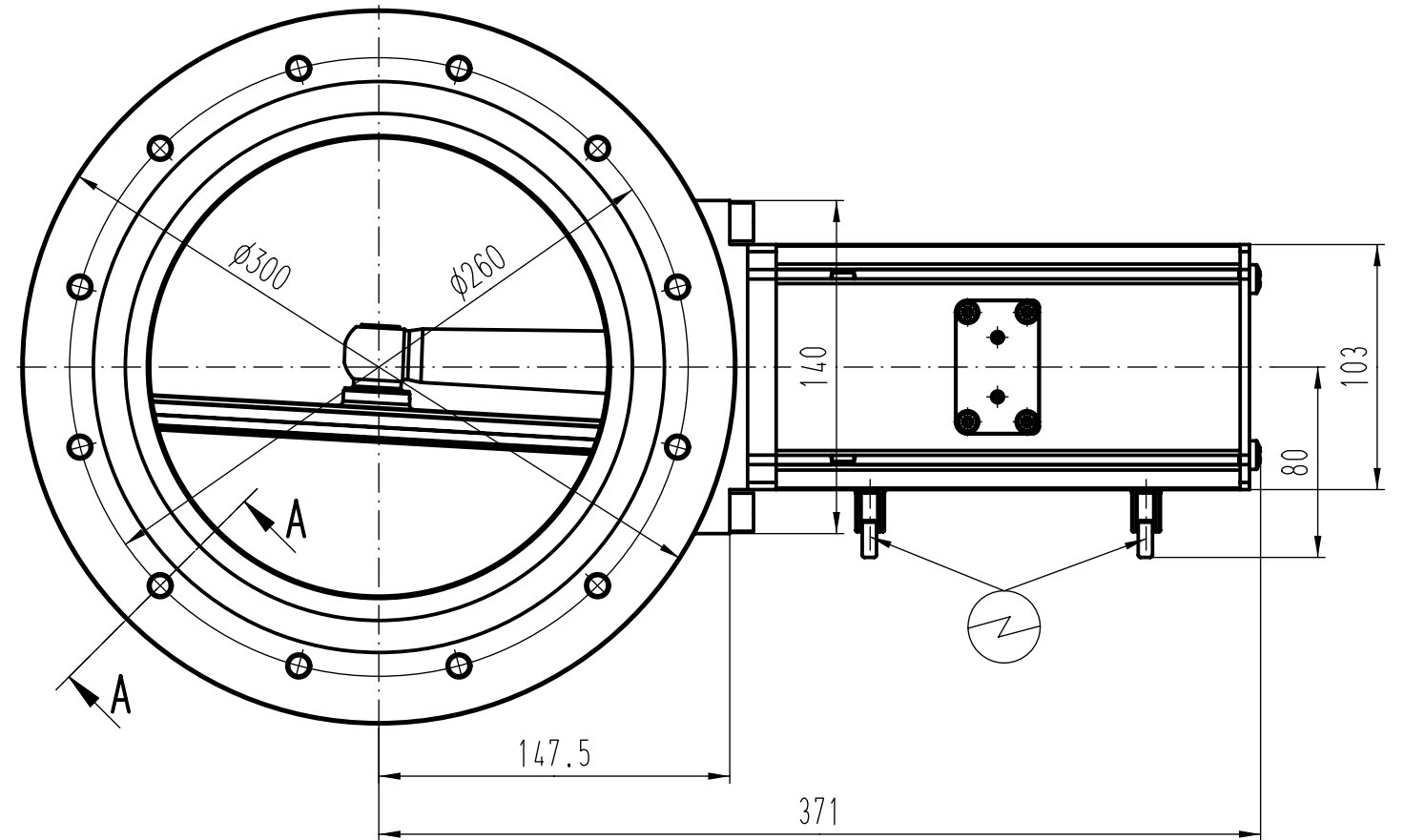
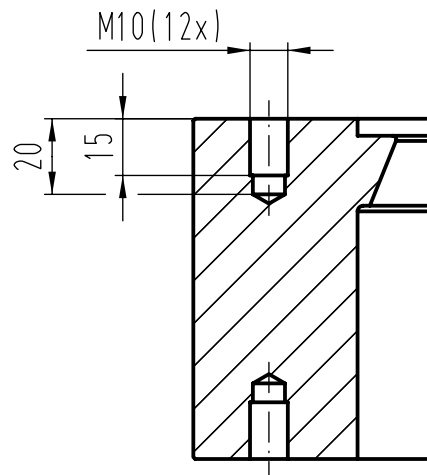


This drawing is the property of VAT.
Without the written consent of VAT, it must
not be copied or distributed to a third person



SECTION A-A:



Revision	
Code	
Date	
Name	

- ▼ Seat side
- ⊙ Comp. air connection
- ⊕ Electrical connection
- ⊖ Leak detection port
- ⊙ Mech. pos. indication
- ⊕ Position indicator
- * Required for dismantling
- ⊙ Emergency actuation
- For attachment
- Bake-out area
- ⊕ Differential pumping port

Vatterfly Valve
pneumatic actuator



VAT Vakuumventile AG
CH-9469 Haag, Switzerland
Tel ++41 81 7716161 Fax ++41 81 7714830

Date: 29.09.03
Name: VEA

Series	203	Ordering No.	20346-PE24
Projection E		DN	200
		Flange	ISO-F
Dimensional Drawing	243448	Rev.	