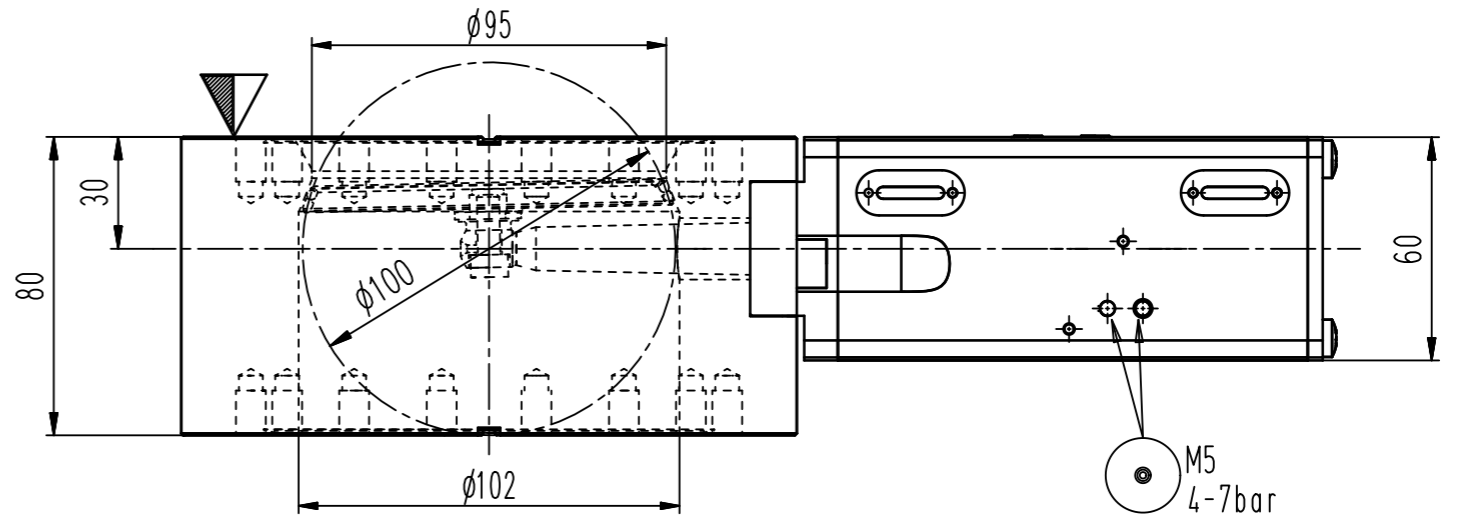
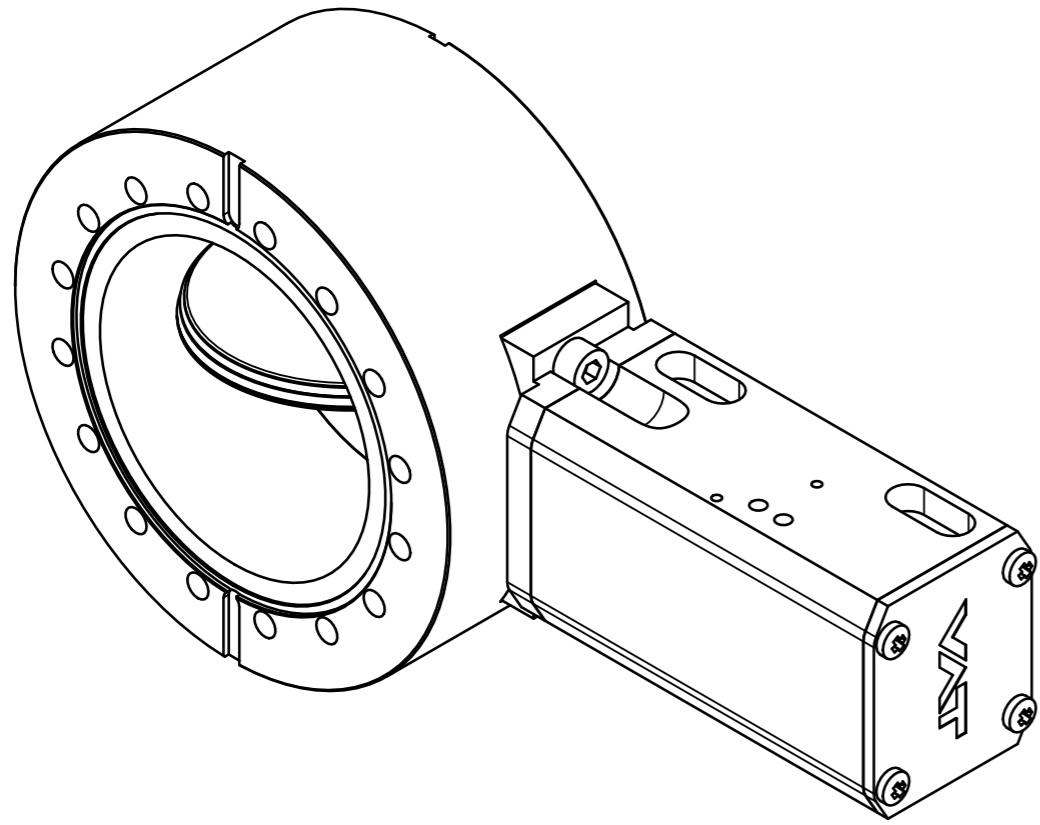


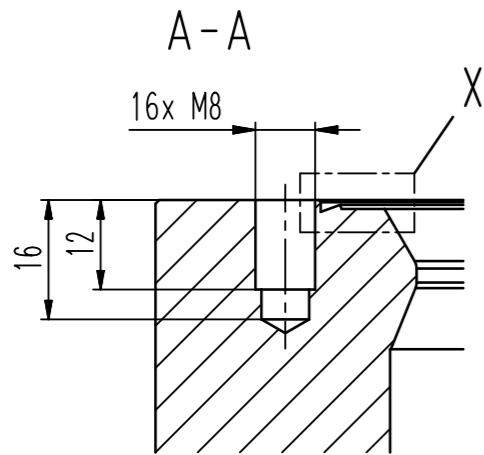
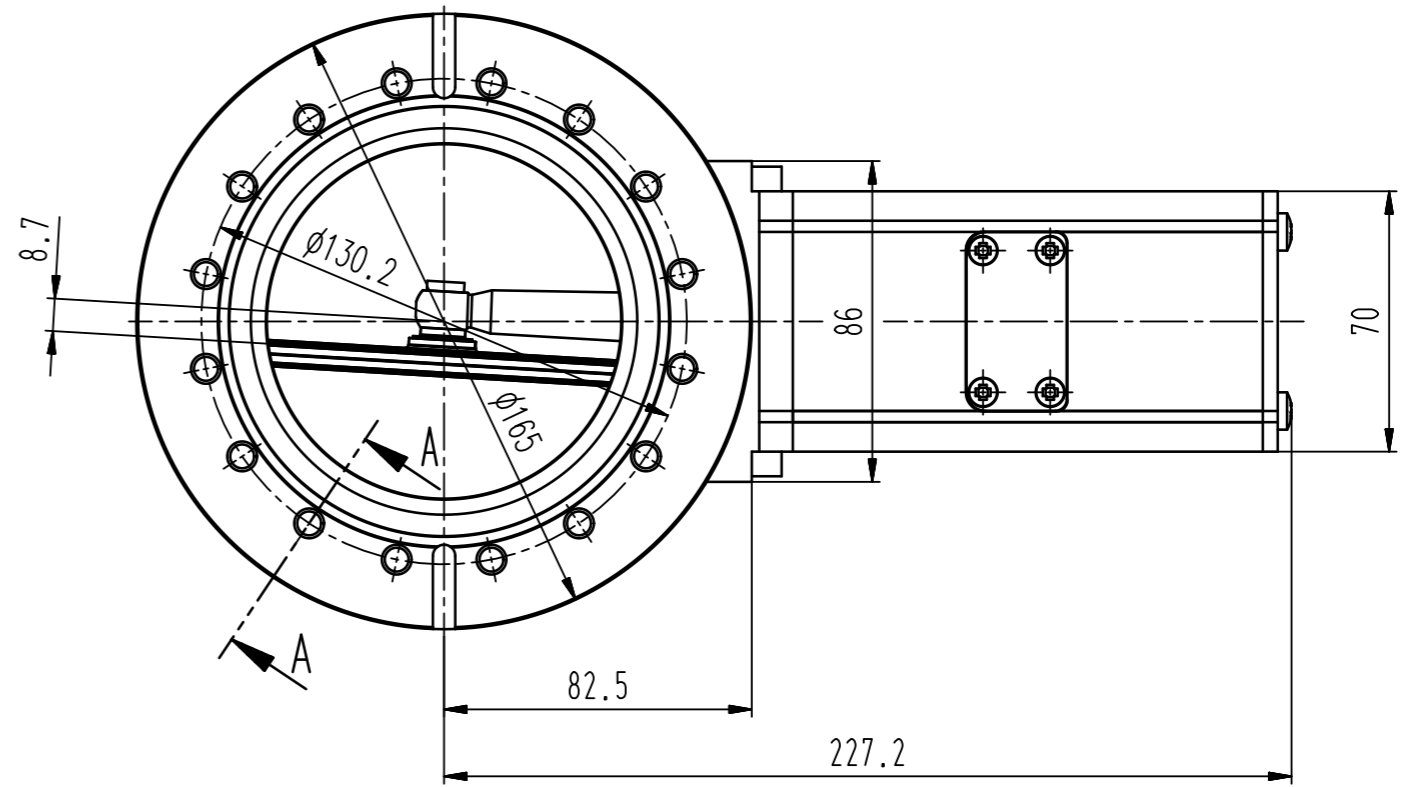
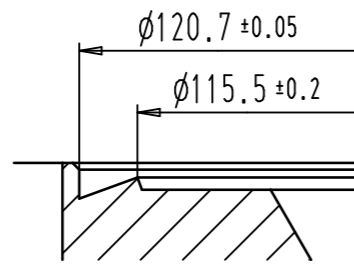
This drawing is the property of VAT.

Revision

Customer number



X 3:1



- ▼ Seat side
- ⊙ Comp. air connection
- ⊙ Electrical connection
- ⊙ Leak detection port
- ⊙ Mech. pos. indication
- ⊙ Position indicator
- ⊙ Required for dismantling
- ⊙ Emergency actuation
- ⊙ For attachment
- ⊙ Bake-out area
- ⊙ Differential pumping port

Butterfly valve extended body



VAT Vakuumentile AG
 CH-9469 Haag, Switzerland
 Tel ++41 81 7716161 Fax ++41 81 7714830

Date: 04.06.08
 Name: KIM

Series	204	Ordering No.	20440-CE14-0002
Projection	E	DN	100
		Flange	CF-F m
Dimensional Drawing			373872
		Rev.	