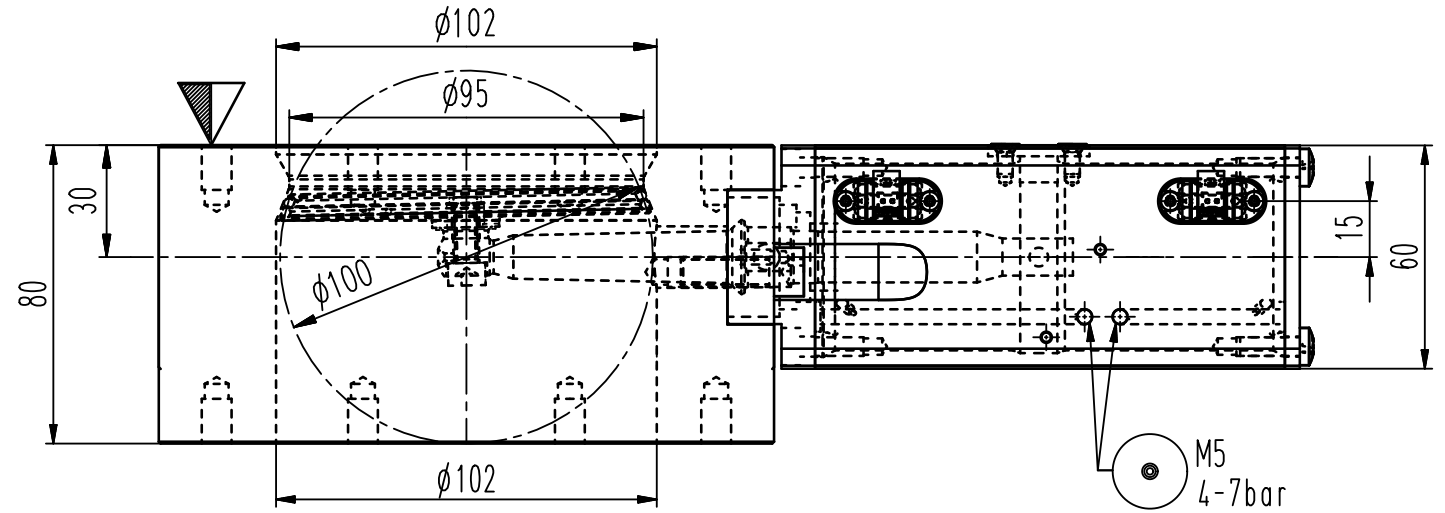
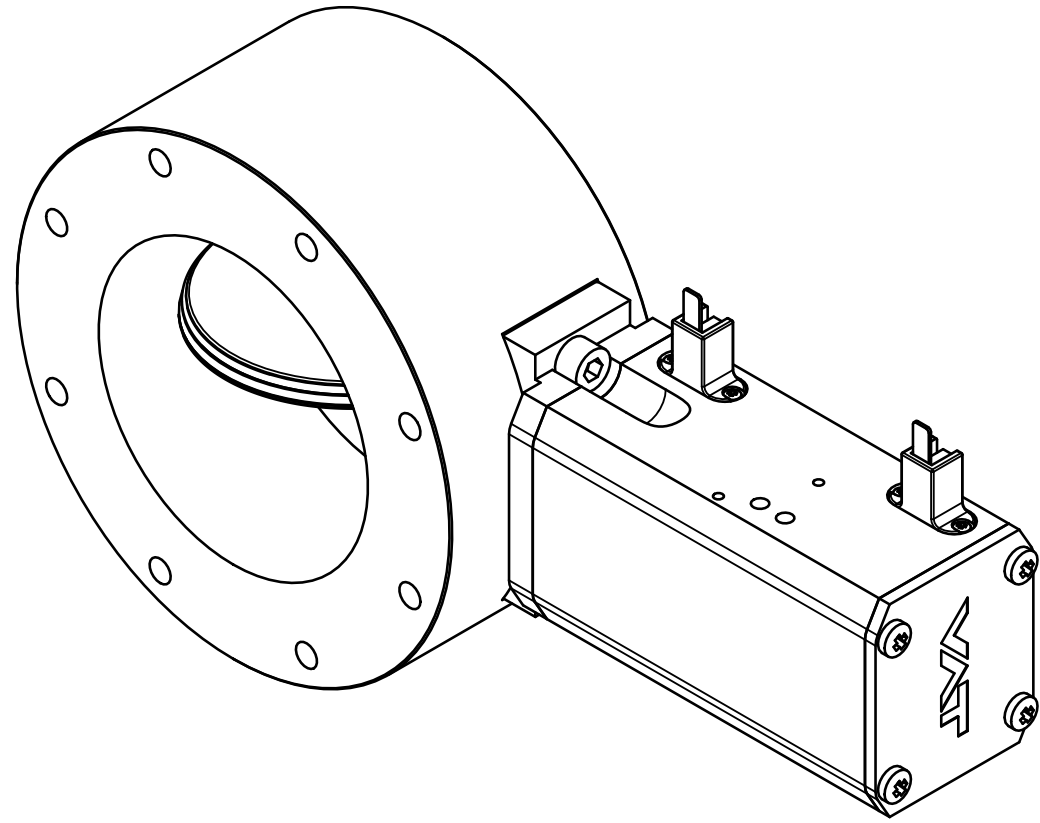


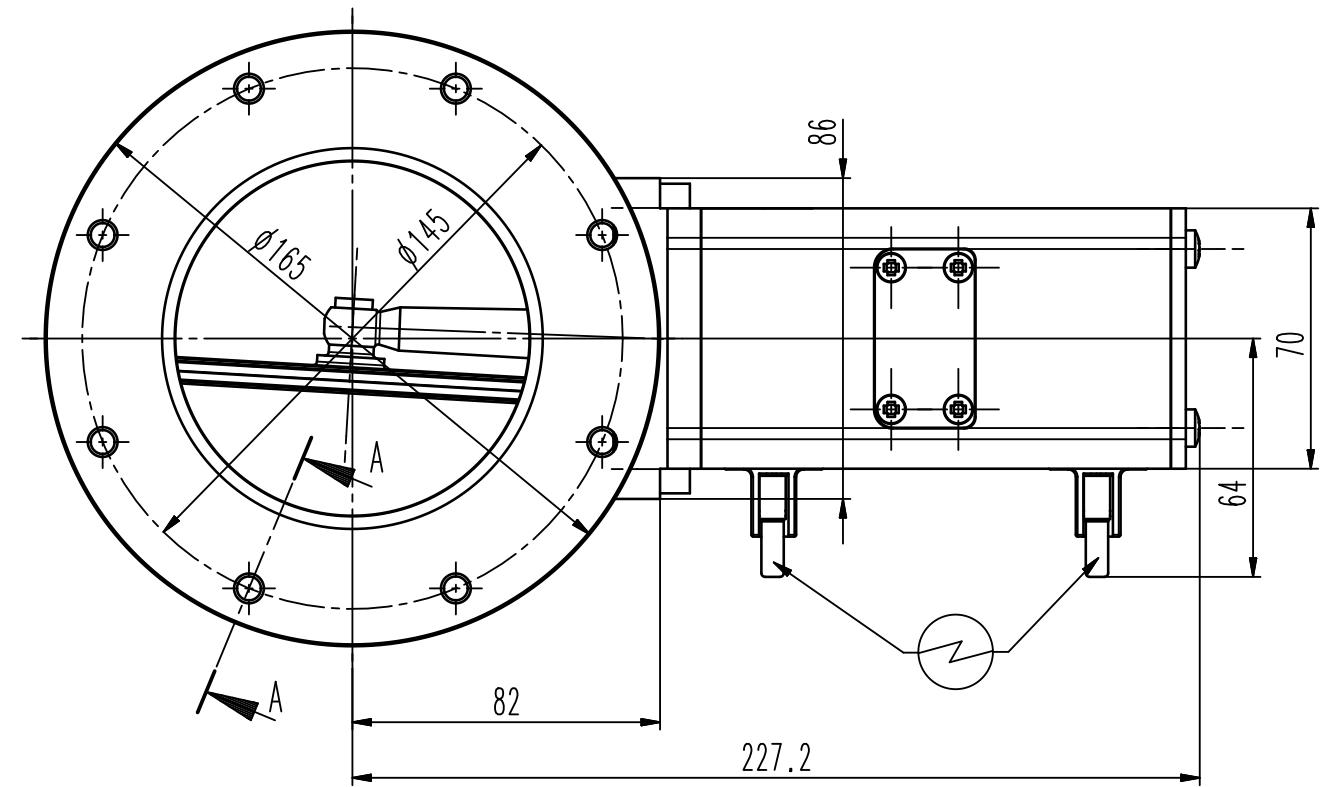
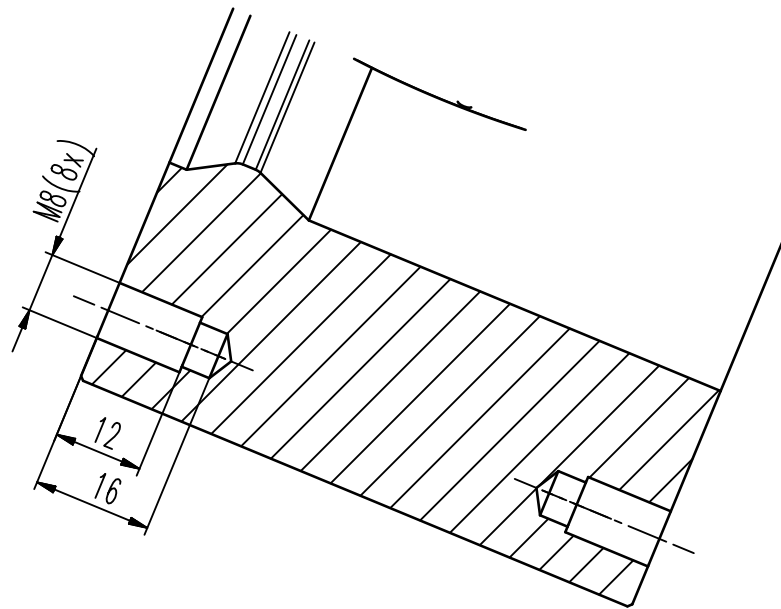
This drawing is the property of VAT.

Revision

Customer number



A-A



- ▼ Seat side
- ⊙ Comp. air connection
- ⊕ Electrical connection
- ⊖ Leak detection port
- ⊗ Mech. pos. indication
- ⊘ Position indicator
- ⊙\* Required for dismantling
- ⊙⊕ Emergency actuation
- ⊙□ For attachment
- ⊙⊖ Bake-out area
- ⊙⊖ Differential pumping port

### Butterfly valve extended body



VAT Vakuumventile AG  
 CH-9469 Haag, Switzerland  
 Tel ++41 81 7716161 Fax ++41 81 7714830

Date: 23.05.08  
 Name: KIM

Series	204	Ordering No.	20440-PA24-0002
Projection E	DN	Flange	
	100	ISO-F	
Dimensional Drawing	373103	Rev.	