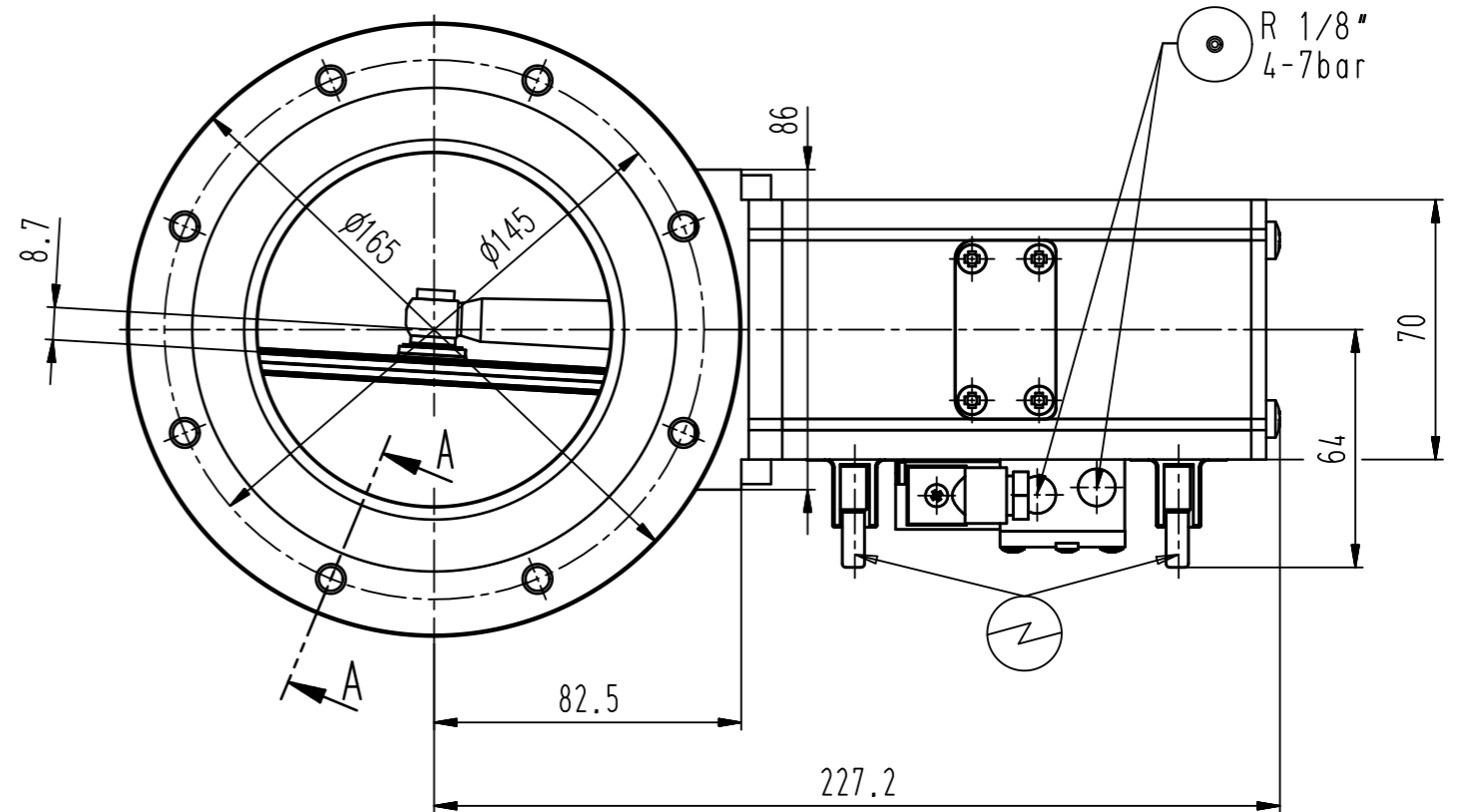
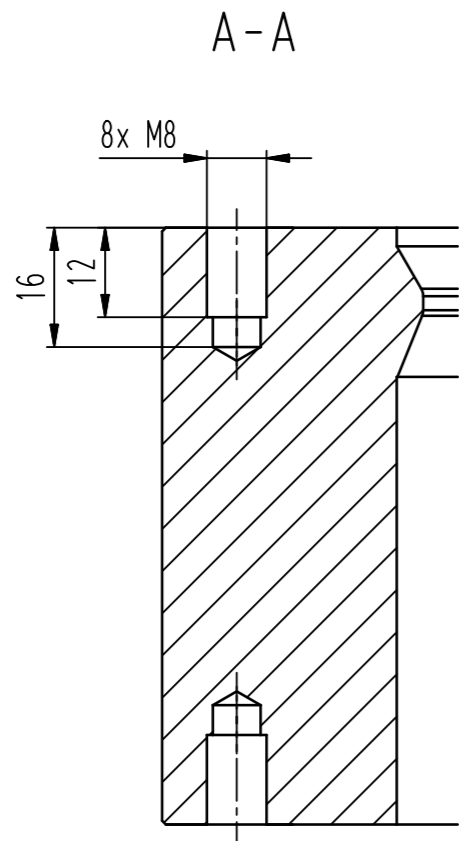
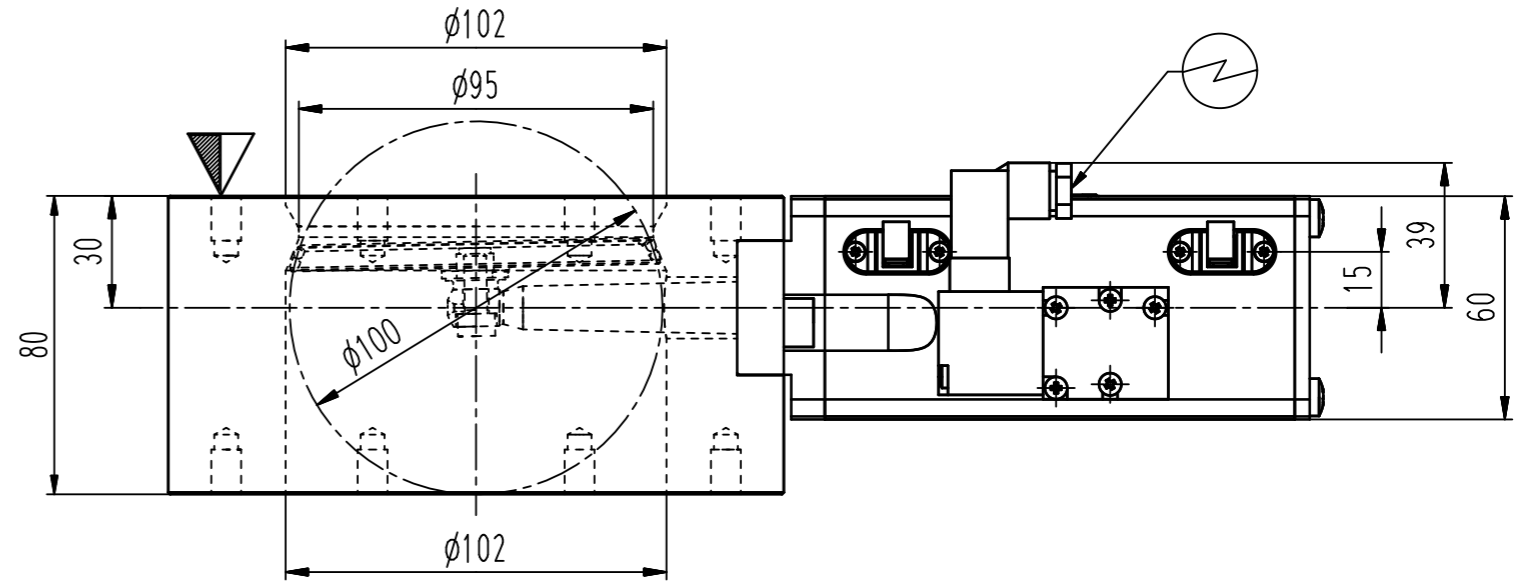
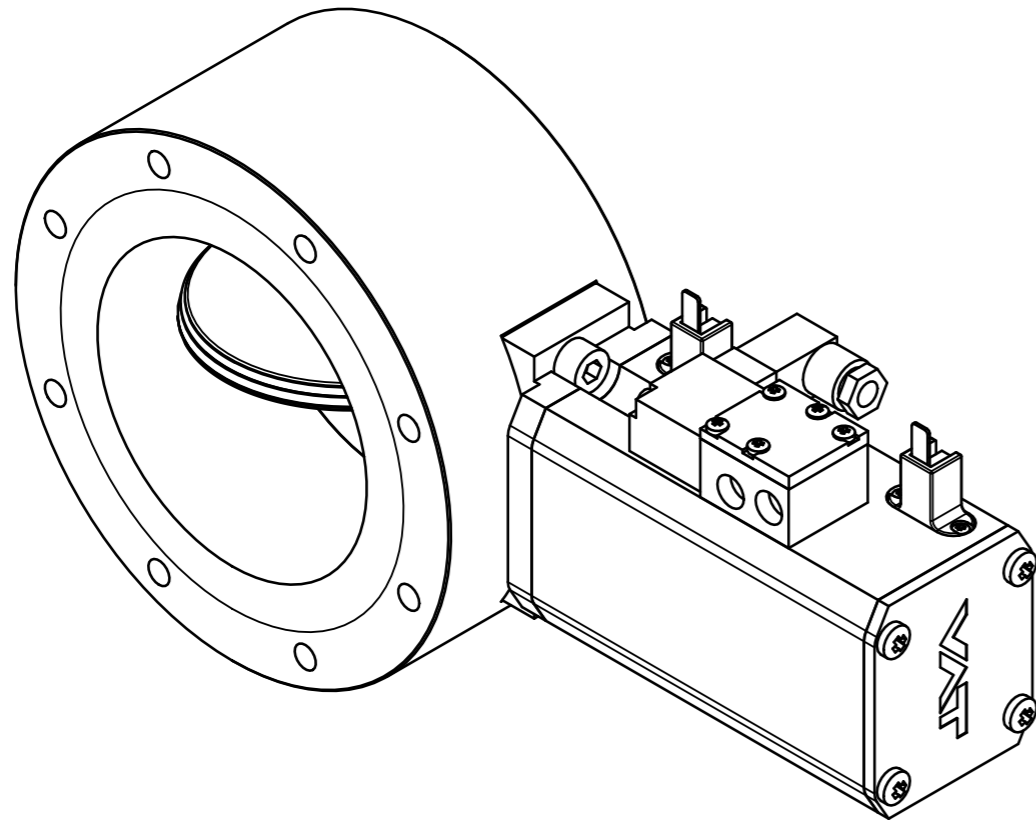


This drawing is the property of VAT.

Revision

Customer number



- ▼ Seat side
- ⊙ Comp. air connection
- ⊙ Electrical connection
- ⊙ Leak detection port
- ⊙ Mech. pos. indication
- ⊙ Position indicator
- ⊙ Required for dismantling
- ⊙ Emergency actuation
- ⊙ For attachment
- ⊙ Bake-out area
- ⊙ Differential pumping port

Butterfly valve extended body



VAT Vakuumventile AG
 CH-9469 Haag, Switzerland
 Tel ++41 81 7716161 Fax ++41 81 7714830

Date: 05.06.08
 Name: KIM

| | | | |
|---------------------|--------|--------------|-----------------|
| Series | 204 | Ordering No. | 20440-PE44-0002 |
| Projection E | DN | Flange | |
| | 100 | ISO-F | |
| Dimensional Drawing | 374061 | Rev. | |