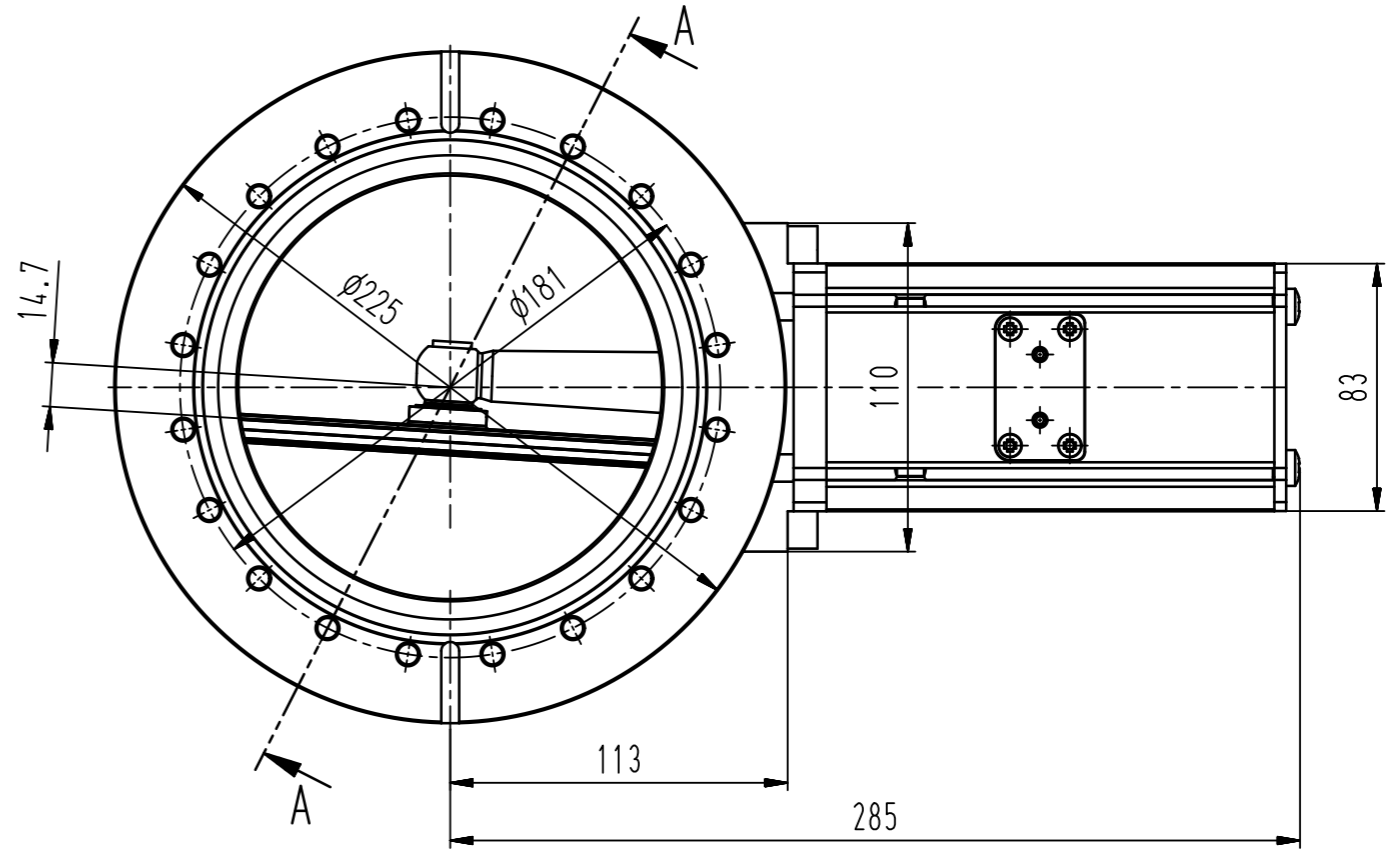
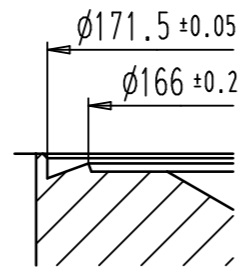
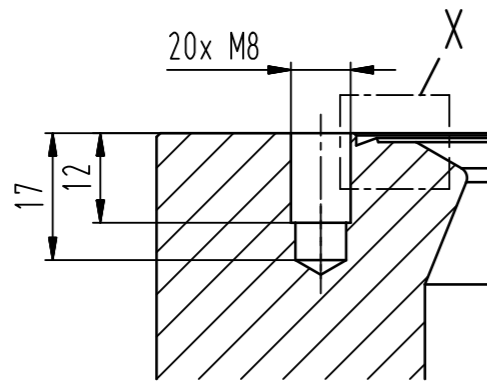


X 2:1



A-A:



- ▼ Seat side
- ⊙ Comp. air connection
- ⊙ Electrical connection
- ⊙ Leak detection port
- ⊙ Mech. pos. indication
- ⊙ Position indicator
- ⊙ Required for dismantling
- ⊙ Emergency actuation
- ⊙ For attachment
- ⊙ Bake-out area
- ⊙ Differential pumping port

Vatterfly valve extended body



VAT Vakuumventile AG
 CH-9469 Haag, Switzerland
 Tel ++41 81 7716161 Fax ++41 81 7714830

Date: 21.11.03
 Name: KIM

Series	204	Ordering No.	20444-CE14-0001
Projection E	DN	Flange	
	160	CF-F m	
Dimensional Drawing	244955	Rev.	