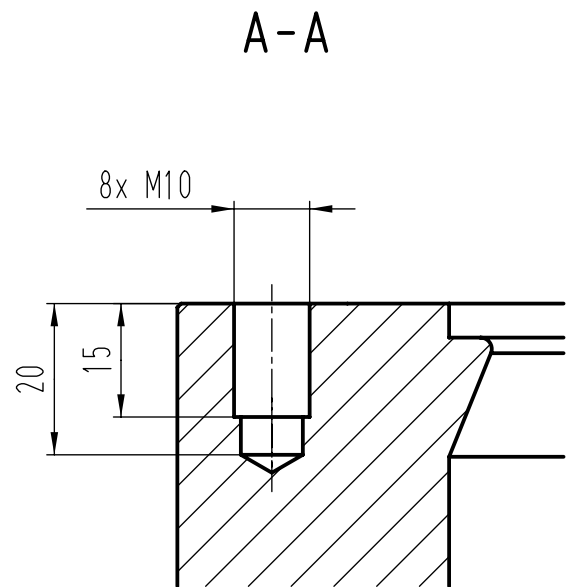
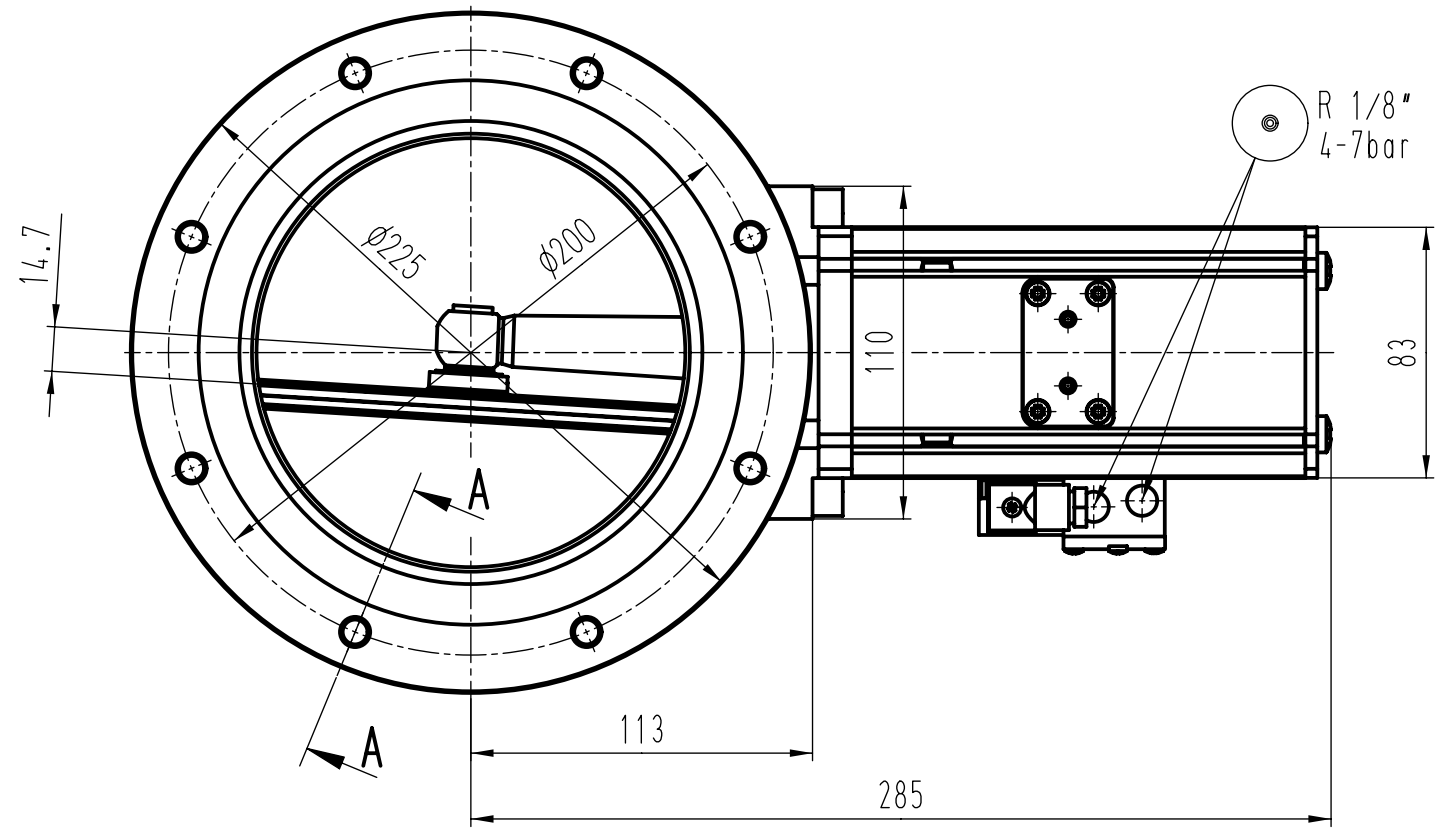
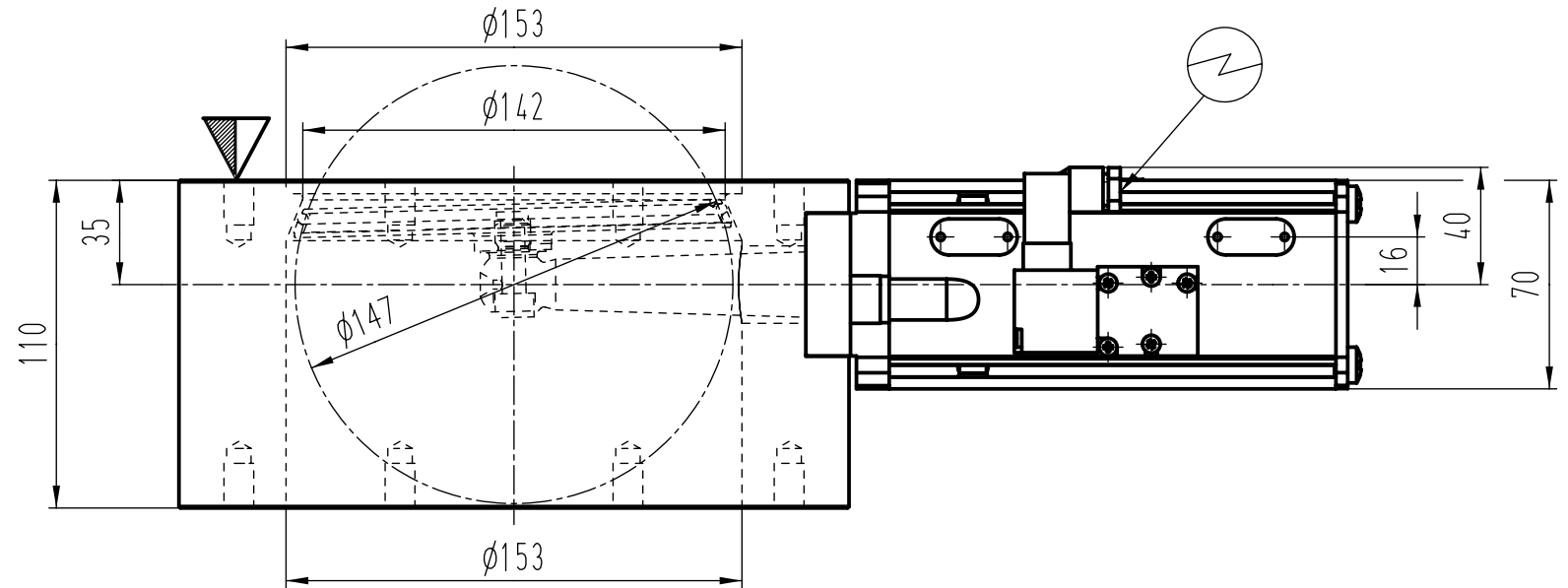
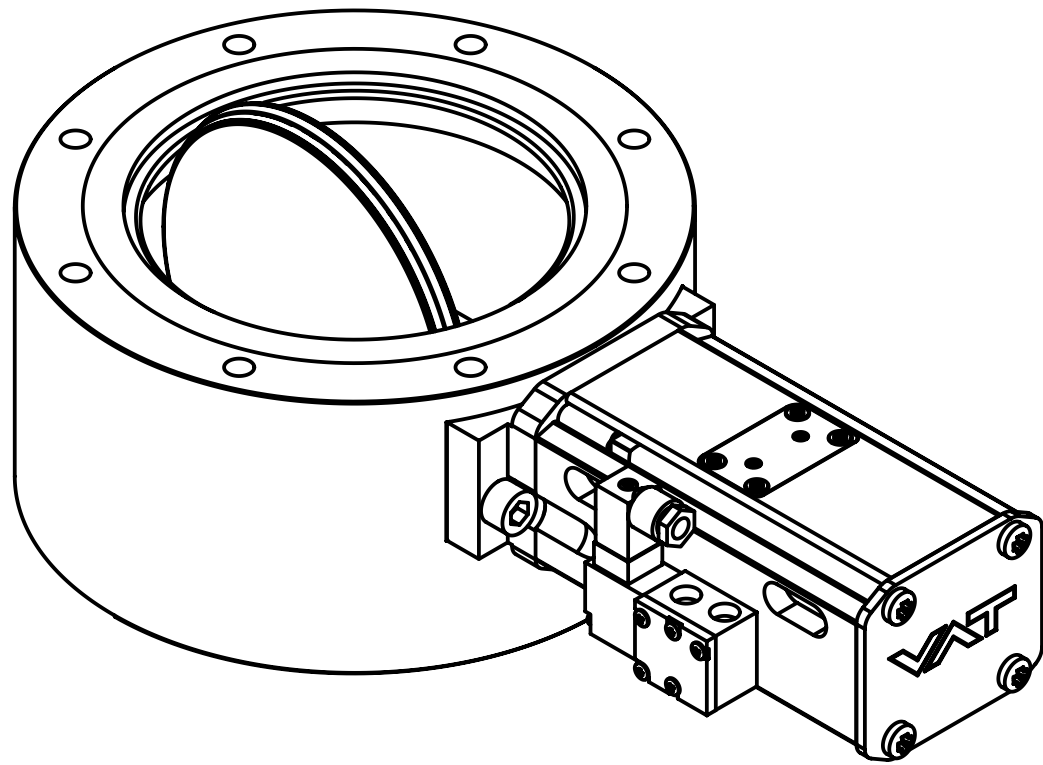


This drawing is the property of VAT.
Without the written consent of VAT, it must
not be copied or distributed to a third person



- ▼ Seat side
- ⊙ Comp. air connection
- ⚡ Electrical connection
- ⊙ Leak detection port
- ⊙ Mech. pos. indication
- ⊙ Position indicator
- * Required for dismantling
- ⊙ Emergency actuation
- For attachment
- ⊙ Bake-out area
- ⊙ Differential pumping port

Vatterfly Valve

pneumatic actuator



VAT Vakuumventile AG
CH-9469 Haag, Switzerland
Tel ++41 81 7716161 Fax ++41 81 7714830

Date: 18.06.04
Name: BCH

Series	204	Ordering No.	20444-PE34-0001
Projection E	160	DN	Flange
			ISO-F

Dimensional Drawing	251557	Rev.	
---------------------	--------	------	--

Revision	
Code	
Date	
Name	