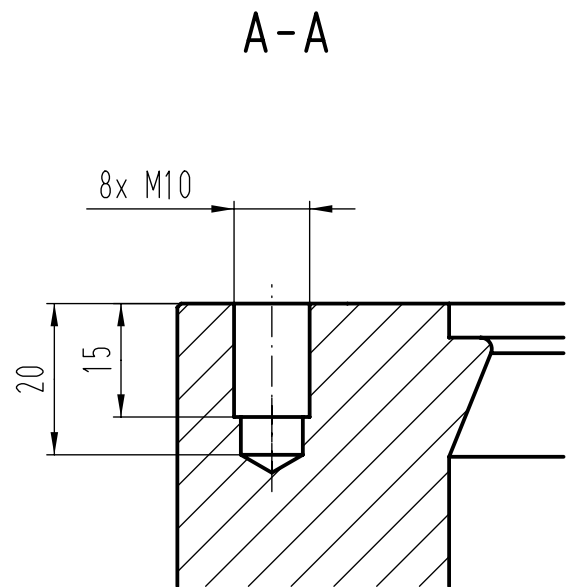
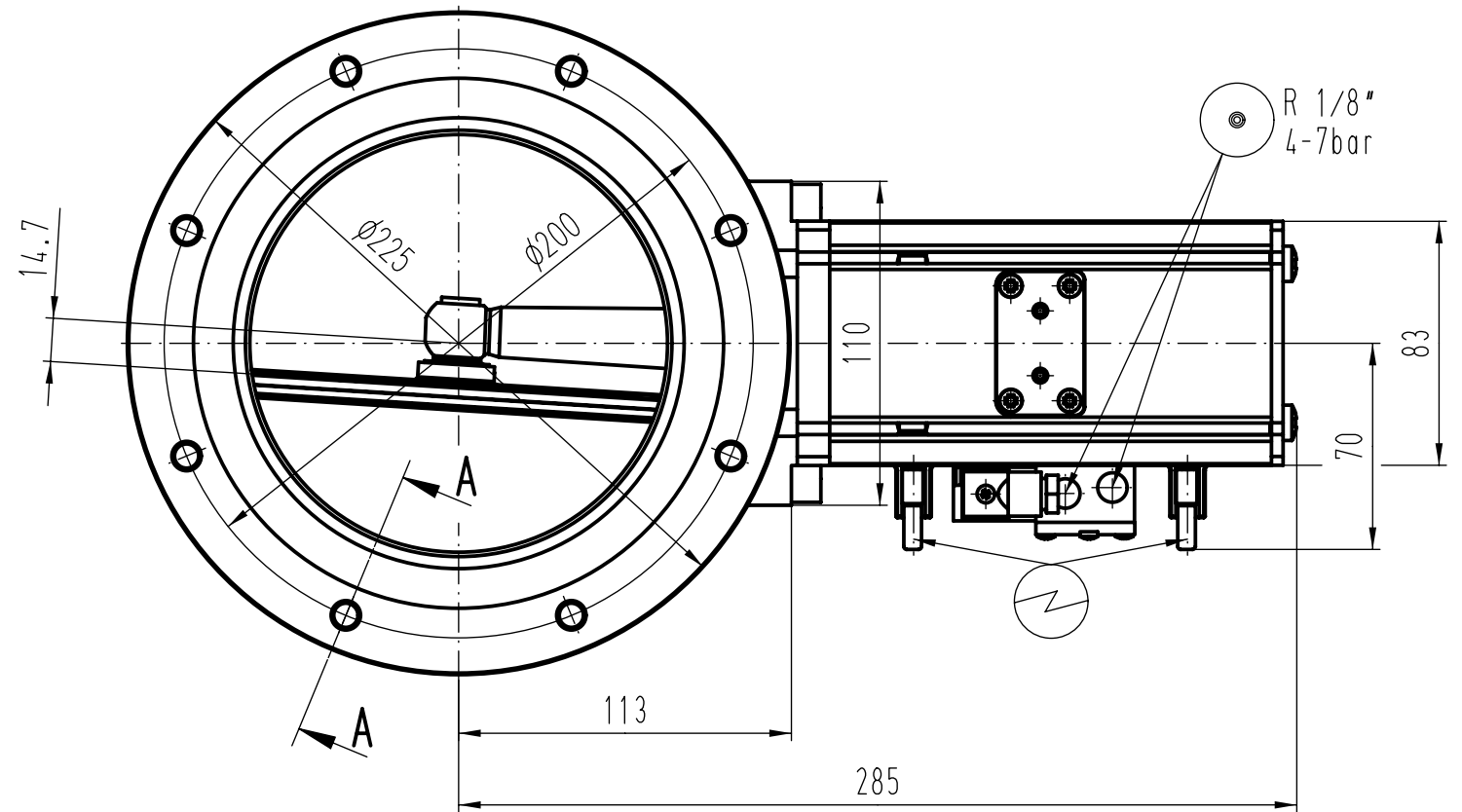
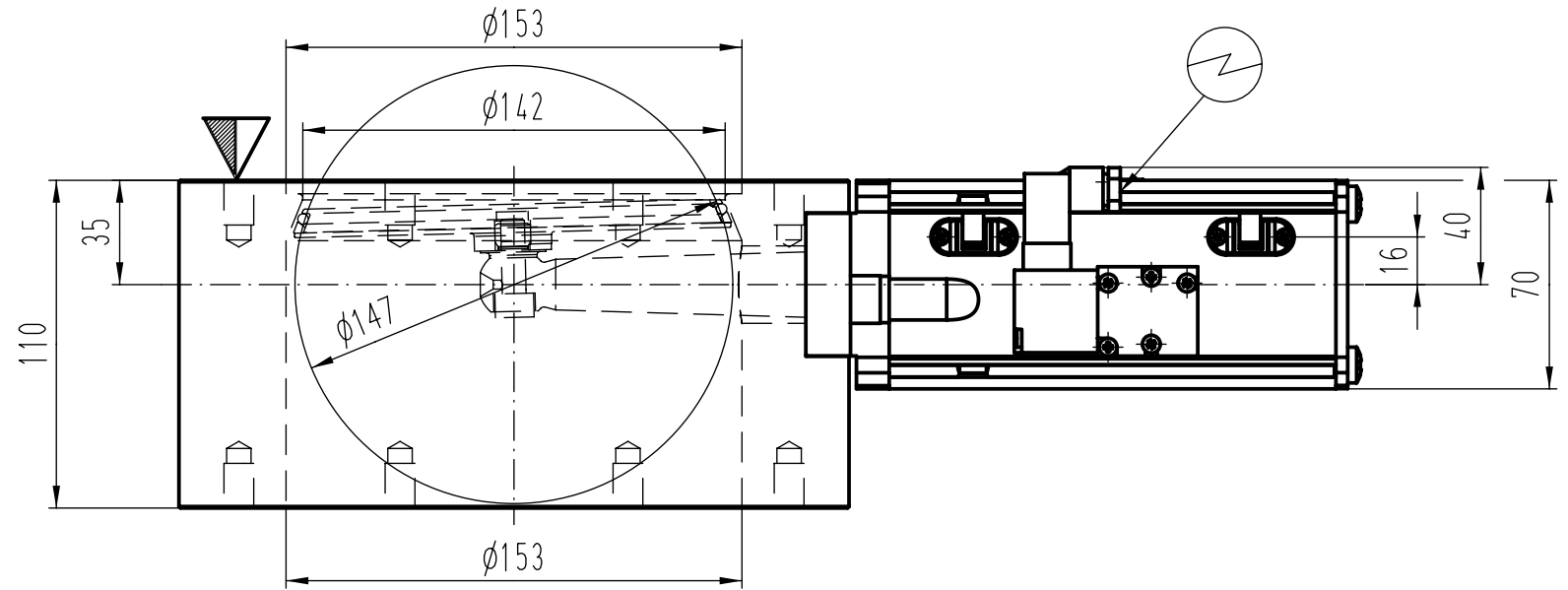
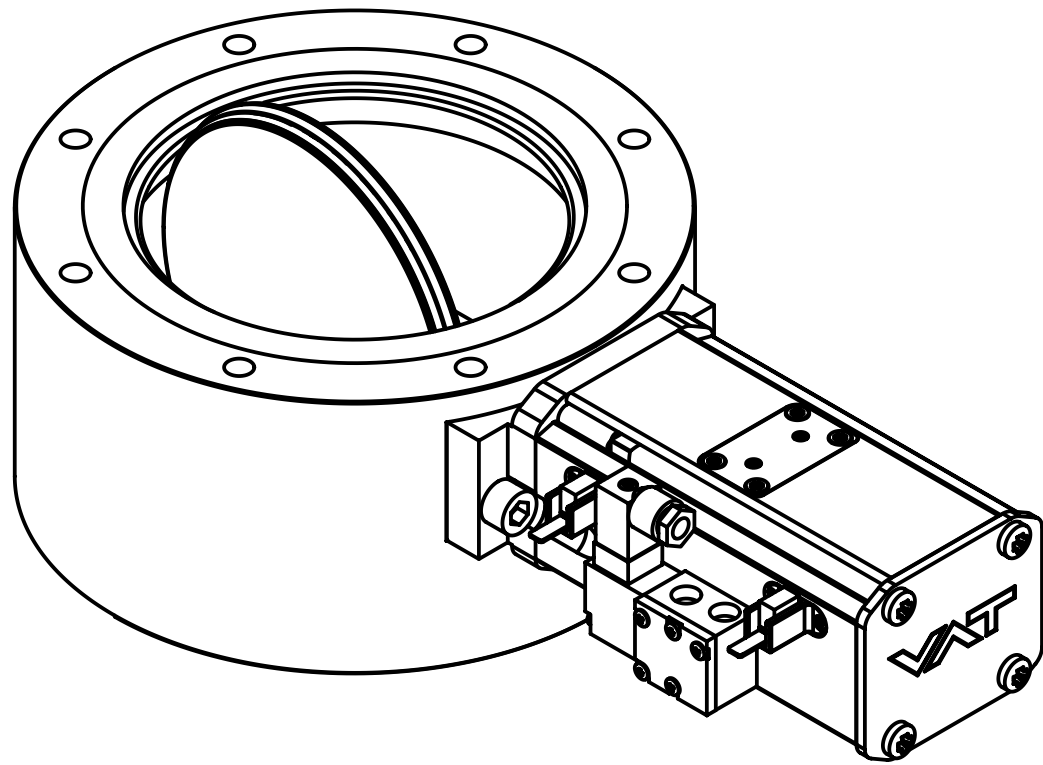


This drawing is the property of VAT.
Without the written consent of VAT, it must
not be copied or distributed to a third person



- ▼ Seat side
- ⊙ Comp. air connection
- ⚡ Electrical connection
- ⊙ Leak detection port
- ⊙ Mech. pos. indication
- ⊙ Position indicator
- ⊙ Required for dismantling
- ⊙ Emergency actuation
- ⊙ For attachment
- ⊙ Bake-out area
- ⊙ Differential pumping port

Vatterfly Valve

pneumatic actuator



VAT Vakuumventile AG
CH-9469 Haag, Switzerland
Tel ++41 81 7716161 Fax ++41 81 7714830

Date: 26.11.03
Name: KIM

Series	Ordering No.	
204	20444-PE44	
Projection E	DN	Flange
	160	ISO-F
Dimensional Drawing	245064	Rev.

Revision
Code
Date
Name