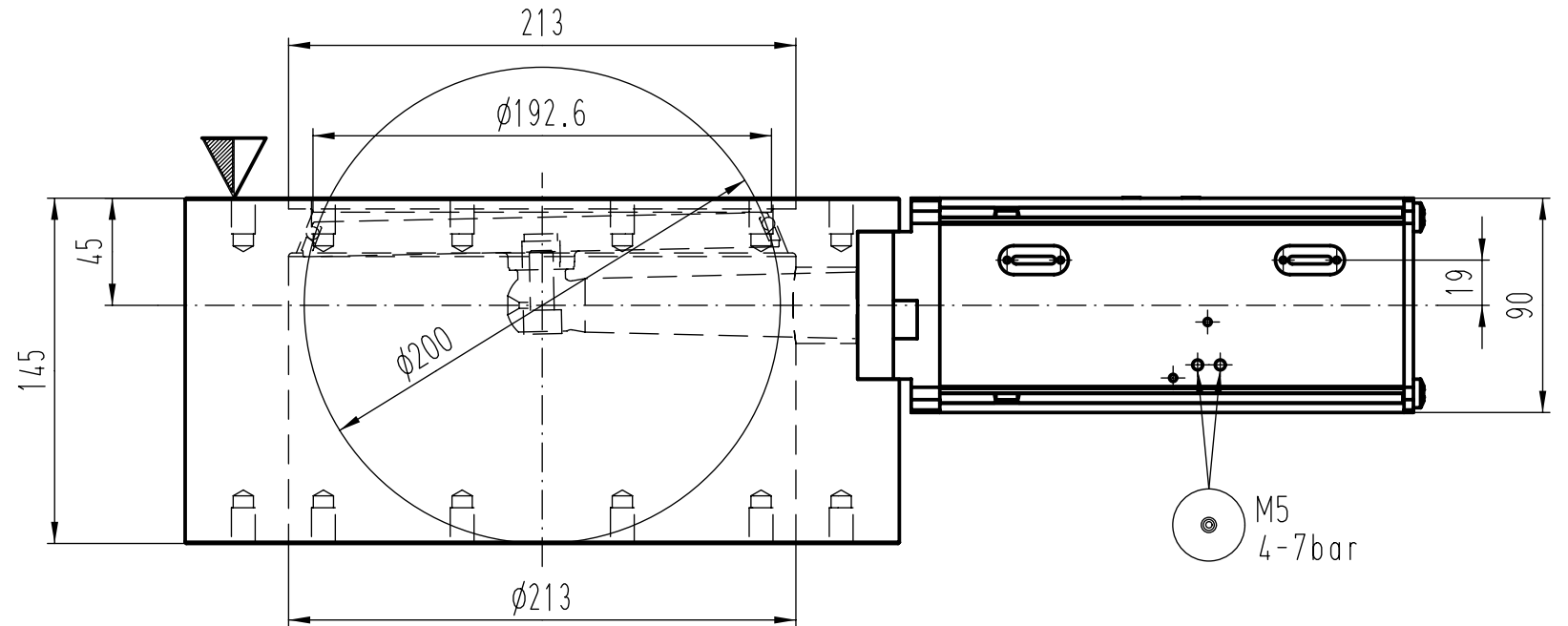
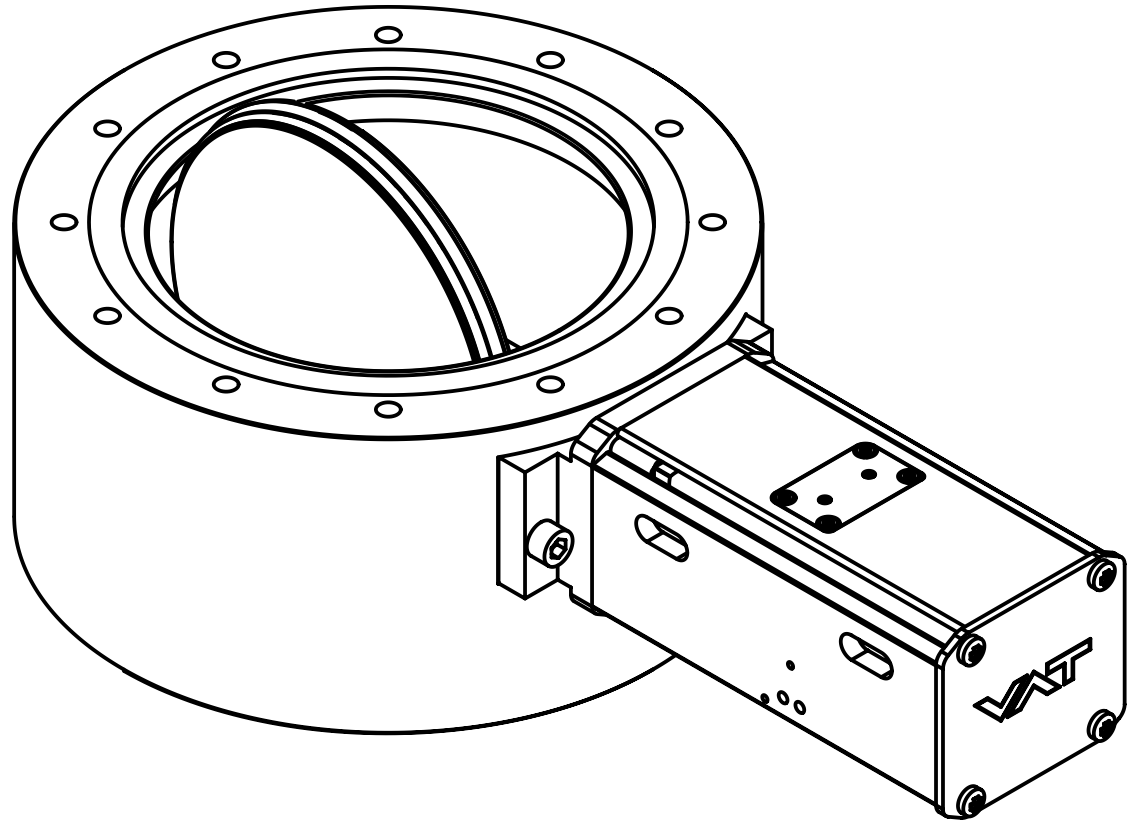
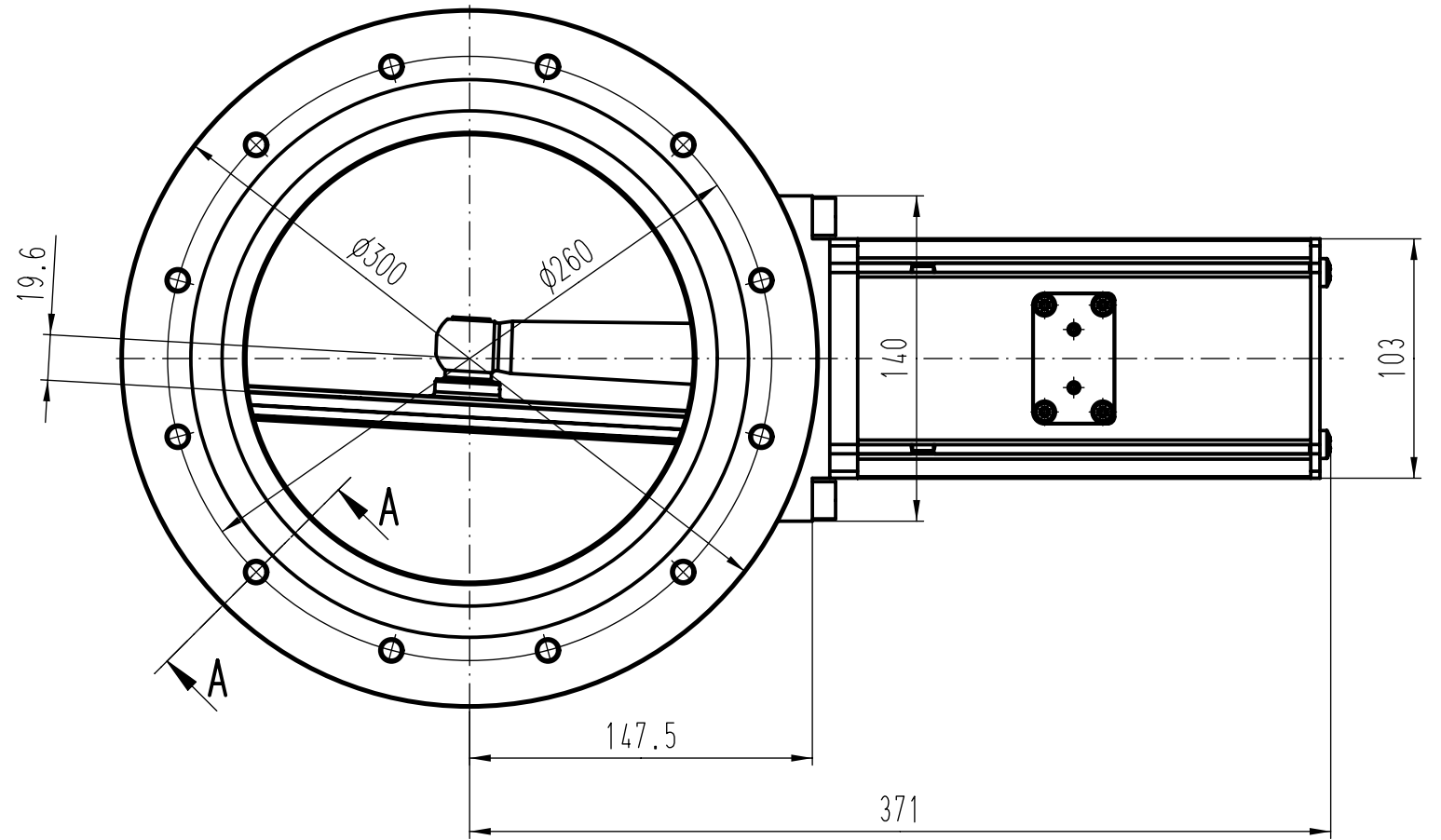
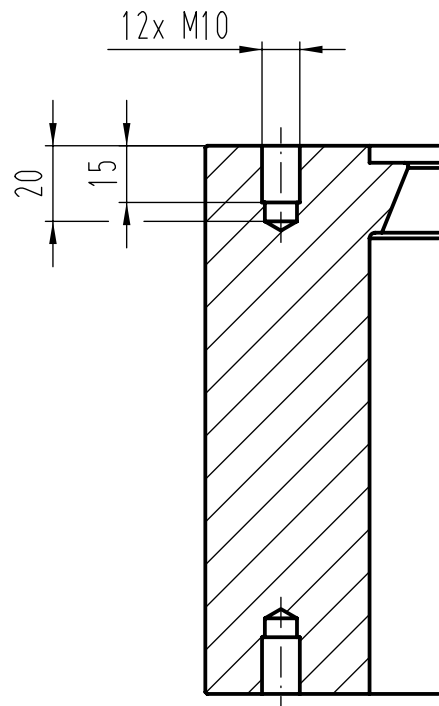


This drawing is the property of VAT.
Without the written consent of VAT, it must
not be copied or distributed to a third person



SECTION A-A:



Revision	
Code	
Date	
Name	

- ▼ Seat side
- ⊙ Comp. air connection
- ⊕ Electrical connection
- ⊙ Leak detection port
- ⊕ Mech. pos. indication
- ⊙ Position indicator
- ⊕ Required for dismantling
- ⊙ Emergency actuation
- ⊕ For attachment
- ⊙ Bake-out area
- ⊕ Differential pumping port

Vatterfly Valve
pneumatic actuator

VAT Vakuumventile AG
CH-9469 Haag, Switzerland
Tel ++41 81 7716161 Fax ++41 81 7714830

Date: 26.11.03
Name: KIM

Series	204	Ordering No.	20446-PA14
Projection E		DN	200
		Flange	ISO-F
Dimensional Drawing	245069	Rev.	