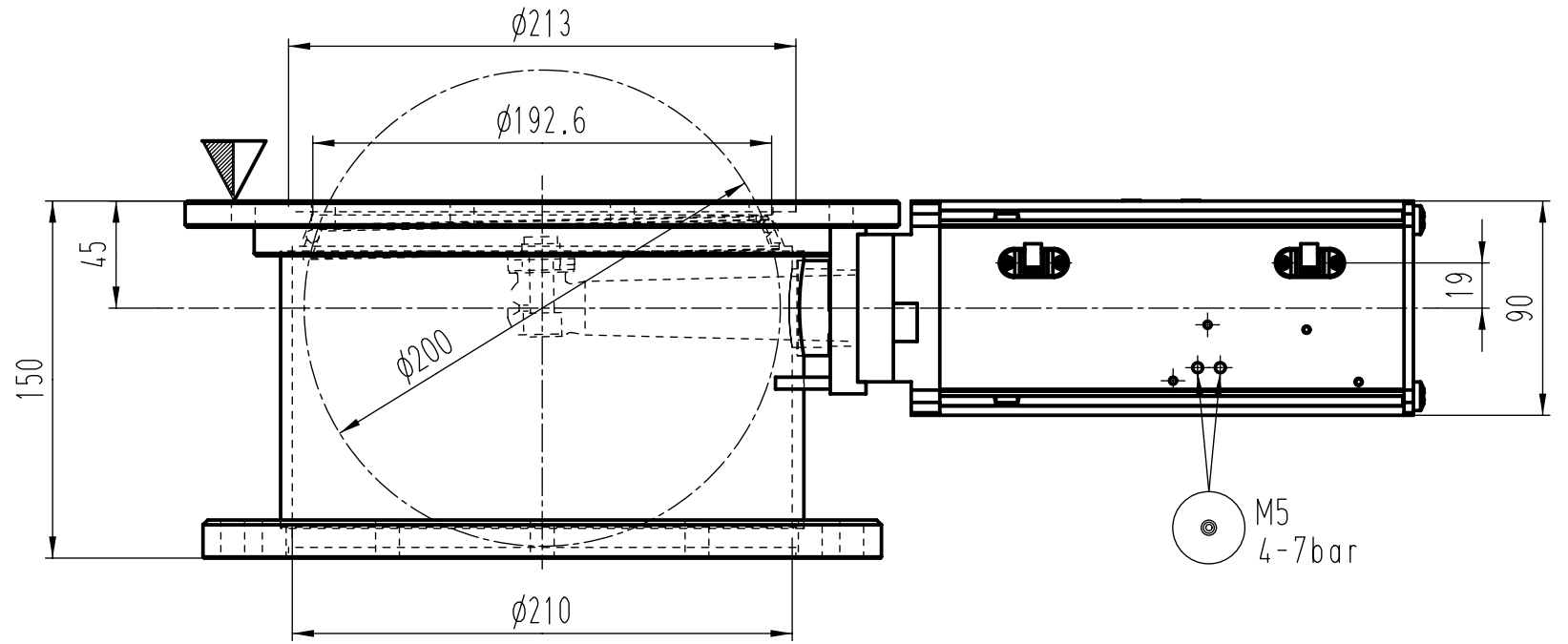
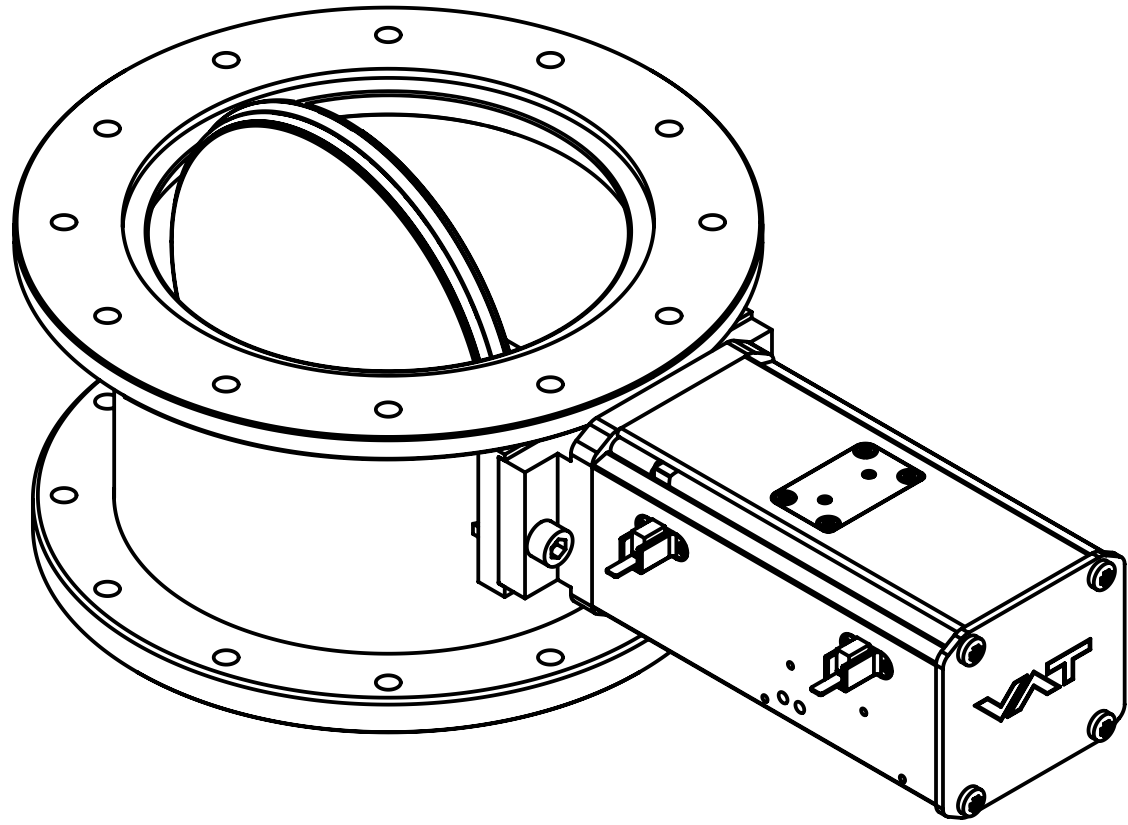
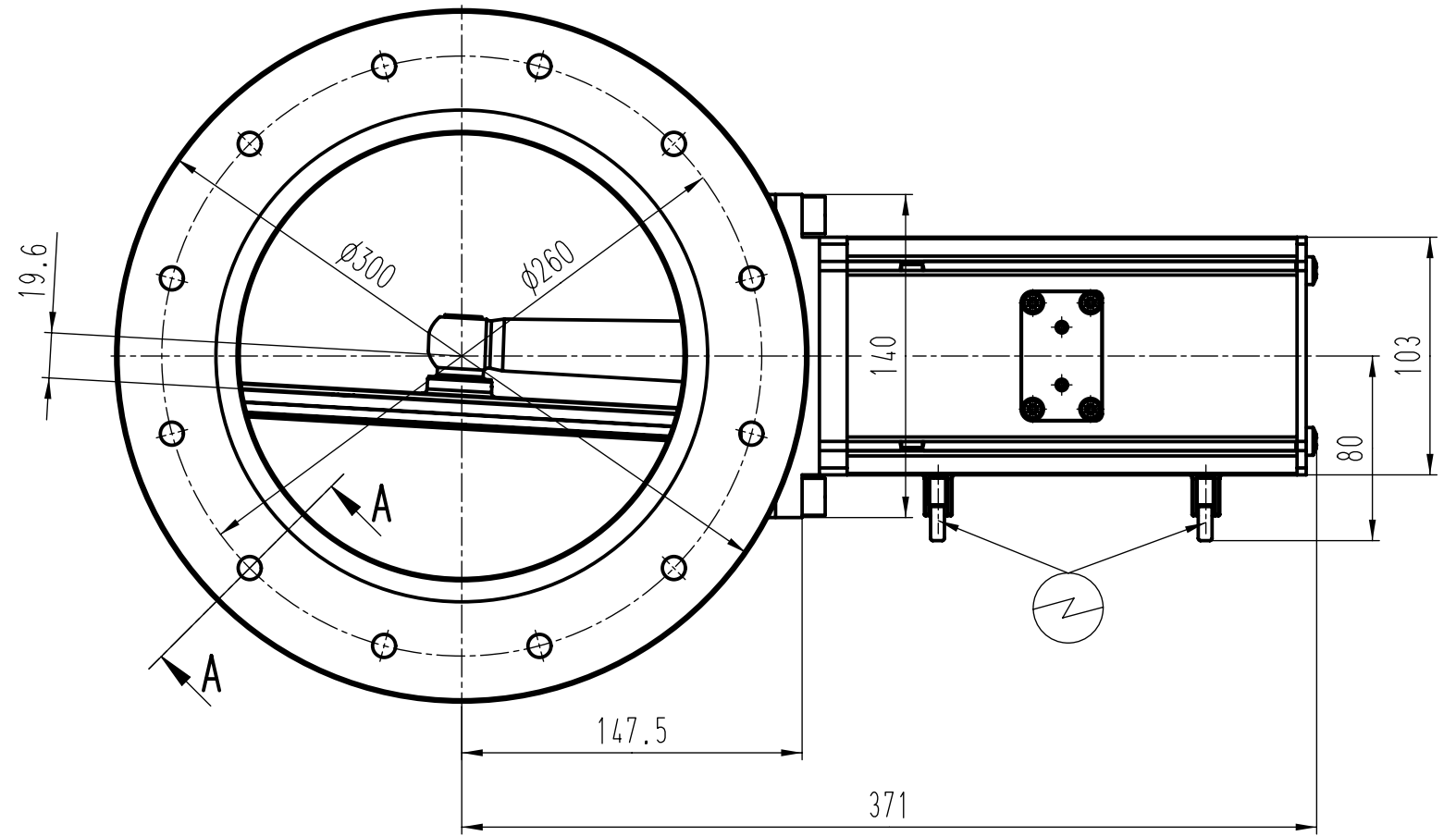
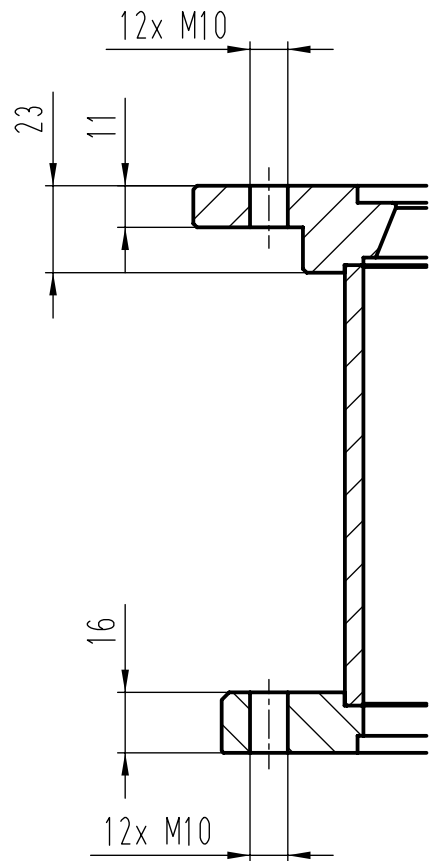


This drawing is the property of VAT.  
Without the written consent of VAT, it must  
not be copied or distributed to a third person



**SECTION A-A:**



Revision	A	B
Code	02.11.04	21.12.04
Date	BCH	BCH
Name		

- ▼ Seat side
- ⊙ Comp. air connection
- ⊕ Electrical connection
- ⊖ Leak detection port
- ⊗ Mech. pos. indication
- ⊘ Position indicator
- ⊙\* Required for dismantling
- ⊙ Emergency actuation
- ⊙ For attachment
- ⊙ Bake-out area
- ⊙ Differential pumping port

**Vatterfly Valve**  
pneumatic actuator

**VAT Vakuumventile AG**  
CH-9469 Haag, Switzerland  
Tel ++41 81 7716161 Fax ++41 81 7714830

Date: 16.06.04  
Name: BCH

Series	204	Ordering No.	20446-PE24-0001
Projection E	200	DN	Flange
Dimensional Drawing	251473	ISO-F	Rev. B