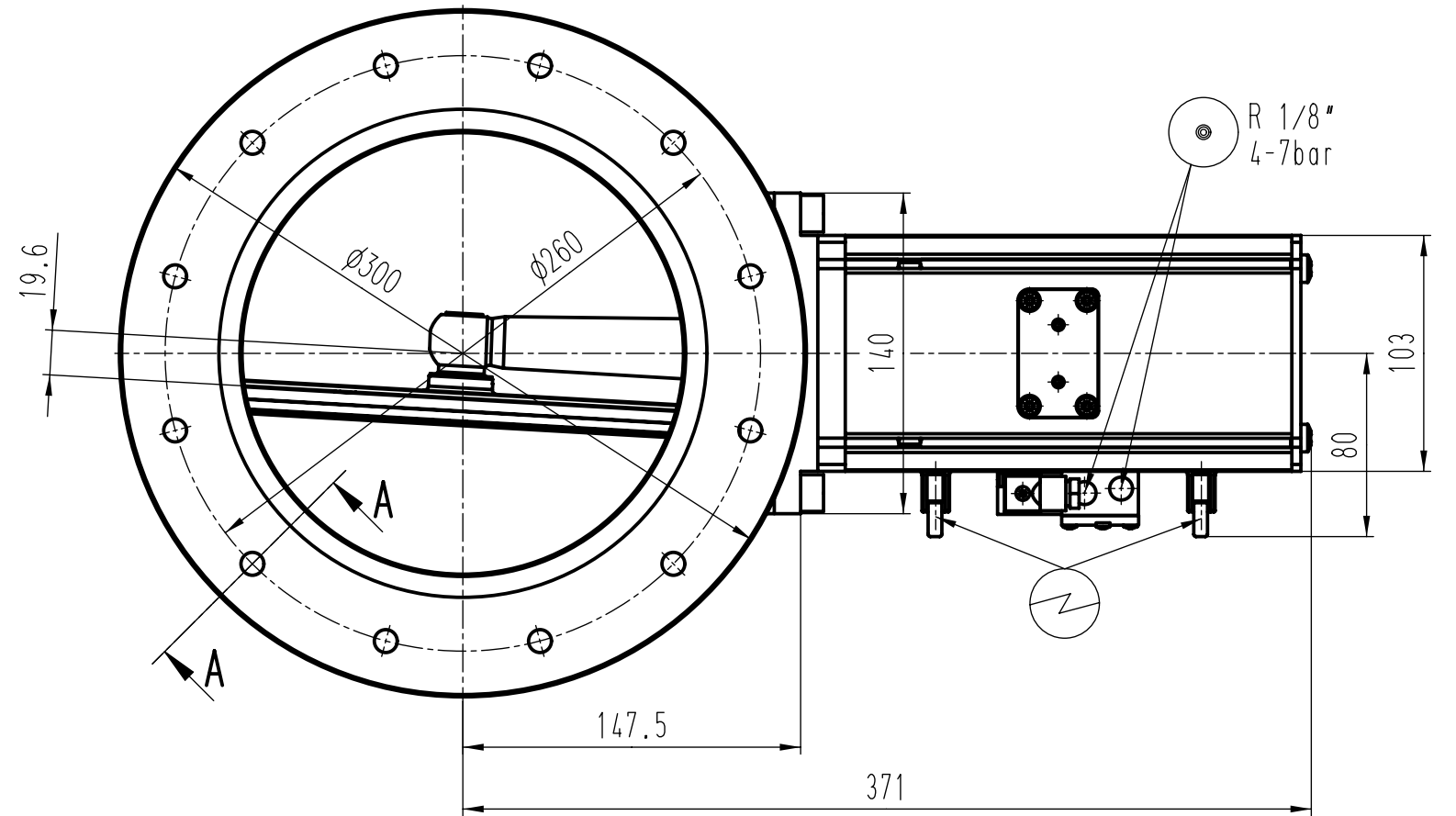
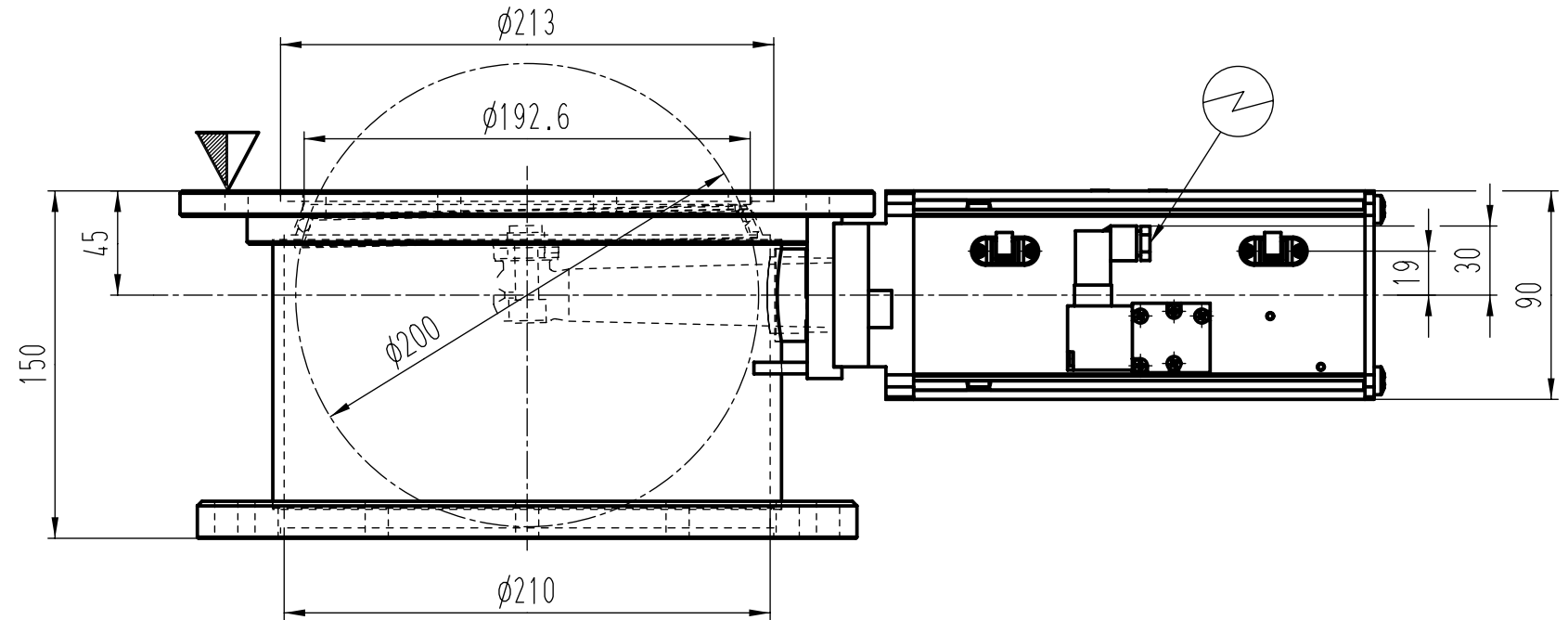
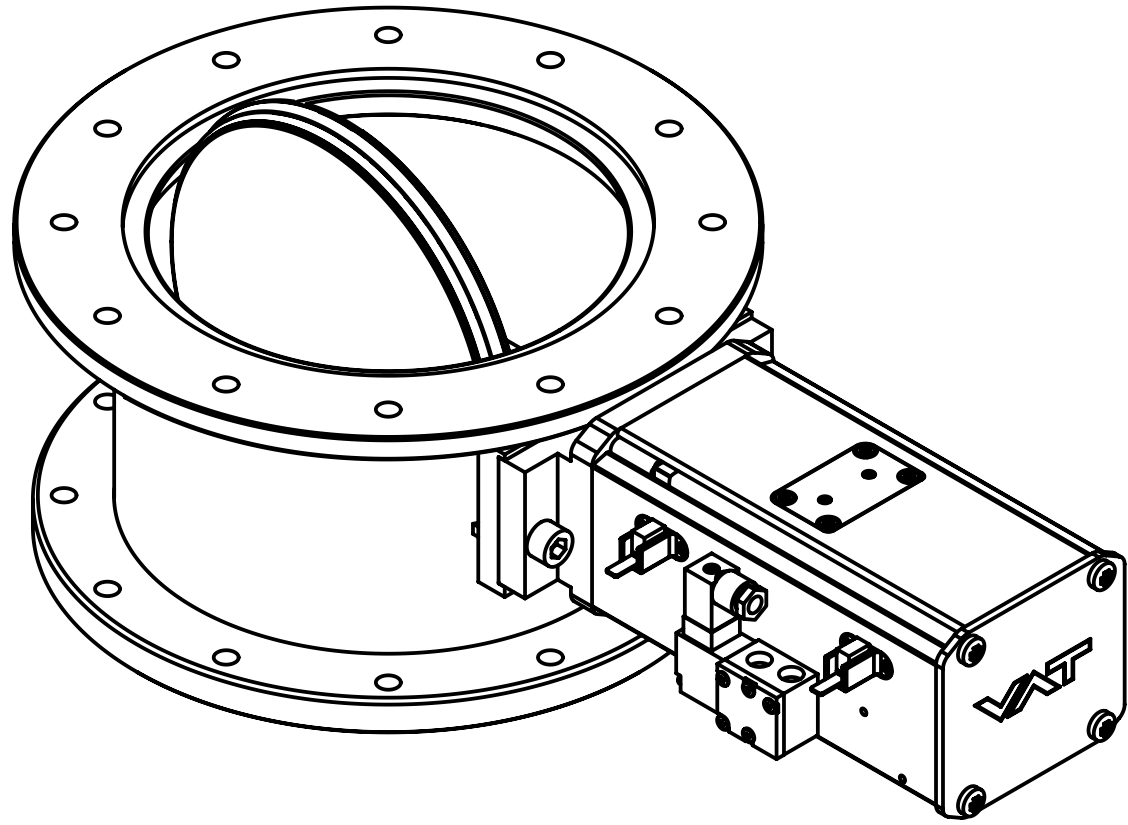
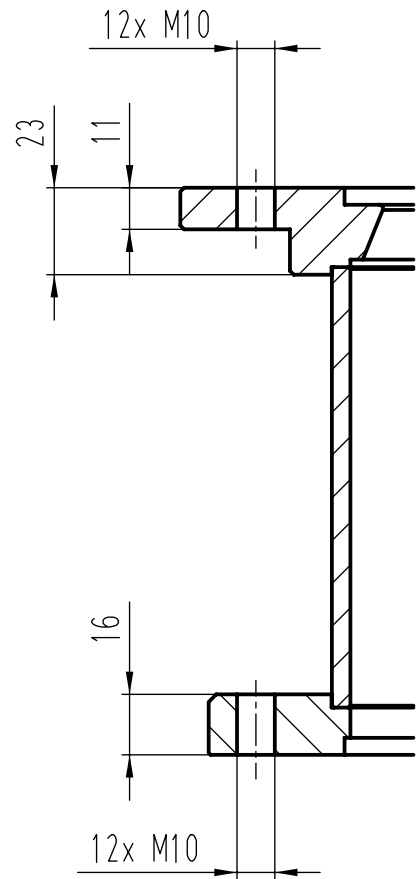


This drawing is the property of VAT.
Without the written consent of VAT, it must
not be copied or distributed to a third person



SECTION A-A:



- ▼ Seat side
- ⊙ Comp. air connection
- ⊕ Electrical connection
- ⊖ Leak detection port
- ⊗ Mech. pos. indication
- ⊘ Position indicator
- ⊙* Required for dismantling
- ⊙ Emergency actuation
- ⊙ For attachment
- ⊙ Bake-out area
- ⊙ Differential pumping port

Vatterfly Valve
pneumatic actuator



VAT Vakuumventile AG
CH-9469 Haag, Switzerland
Tel ++41 81 7716161 Fax ++41 81 7714830

Date: 16.06.04
Name: BCH

| | | | |
|---------------------|--------|--------------|-----------------|
| Series | 204 | Ordering No. | 20446-PE44-0001 |
| Projection E | | DN | 200 |
| | | Flange | ISO-F |
| Dimensional Drawing | 251474 | | Rev. B |

| | | |
|----------|----------|----------|
| Revision | A | B |
| Code | 02.11.04 | 21.12.04 |
| Date | BCH | BCH |
| Name | | |