



VAT Vakuumventile AG
CH-9469 Haag, Schweiz

Product data sheet

Butterfly valve

Series 210, DN 100 (4")

Ordering No. 21040-PE06-ABA2

Butterfly Valve

Manual actuator with hand lever

Advantages

- Three sizes available:
DN 63, 100, 160 with ISO-F flanges
- All vacuum parts made of stainless steel
- Robust and compact design with low installation height
- High conductance
- Lateral vacuum connections for gauges and valves
are standard
- Long cycle life



Created by: AMT	Release date: 20.04.2015	1/3
Modified by:	Release date:	794908EA



VAT Vakuumventile AG
CH-9469 Haag, Schweiz

Product data sheet

Butterfly valve

Series 210, DN 100 (4")

Ordering No. 21040-PE06-ABA2

Ordering Information

Selection Data

Vacuum connection		DN 100 ISO-F
Material		
body	AISI / DIN	304 / 1.4301
shaft, valve plate	AISI / DIN	304 / 1.4301

Butterfly Valve

Type		21040-PE06-000.
------	--	-----------------

Specifications

Cycle life	cycles	100 000 ¹⁾
Conductance for molecular flow	l/s	1000
Leak rate	mbar l/s	1×10^{-9}
Pressure range	mbar / bar min / max	1×10^{-8} / 4 (abs)
Diff. pressure on the plate in either direction	bar	4 ²⁾
Diff. pressure at opening	bar	1.3
Bakeout temp body	°C	150
Seals		FKM
Weight	kg	5.2

Spare Parts

Seal kit		580187
----------	--	--------

Accessories

Connections elements		580691
----------------------	--	--------

¹⁾ Cycle life tested at room temperature and under clean and static conditions. Expandable parts are excluded

²⁾ Opening above atmospheric pressure reduces specified cycle life

Created by: AMT	Release date: 20.04.2015	2/3
Modified by:	Release date:	794908EA



VAT Vakuumventile AG
CH-9469 Haag, Schweiz

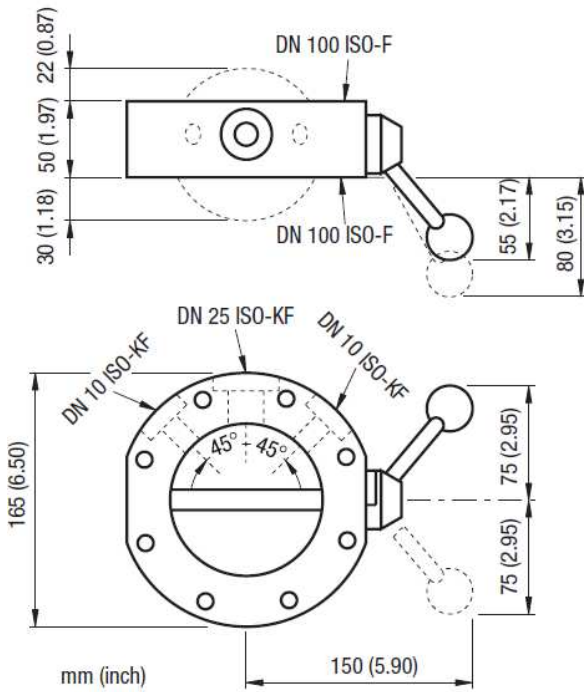
Product data sheet

Butterfly valve

Series 210, DN 100 (4")

Ordering No. 21040-PE06-ABA2

Dimensions



Created by: AMT	Release date: 20.04.2015	3/3
Modified by:	Release date:	794908EA