



VAT Vakuumventile AG
CH-9469 Haag, Schweiz

Product data sheet

Butterfly valve

Series 210, DN 100 (4")

Ordering No. 21040-PE14-0003

Butterfly Valve

Pneumatic actuator, double acting

Advantages

- Four sizes available:
DN 63, 100, 160, with ISO-F flanges
DN 250 with ISO-K flanges
- All vacuum parts made of stainless steel
- Robust and compact design with low installation height
- High conductance
- With or without lateral vacuum connections for gauges and valves
- Extremely long cycle life
- Direct pneumatic actuation or via solenoid valve
- Solenoid valve available as accessories
- Electrical and visual position indicator available as accessories



Created by: AMT	Release date: 17.04.2015	1/3
Modified by:	Release date:	794720EA



VAT Vakuumventile AG
CH-9469 Haag, Schweiz

Product data sheet

Butterfly valve

Series 210, DN 100 (4")

Ordering No. 21040-PE14-0003

Ordering Information

Selection Data

Vacuum connection		DN 100 ISO-F
Body, shaft, valve plate	AISI / DIN	304 / 1.4301
Lateral vacuum connections		2 x DN 10 ISO-KF 1 x DN 25 ISO-KF

Specifications

Cycle life	cycles	1.5 Mio ¹⁾
Conductance for molecular flow l/s		1000
Leak rate	mbar l/s	1×10^{-9}
Pressure range	mbar / bar min / max	1×10^{-8} / 4 (abs)
Diff. pressure at opening	bar	1.3 ²⁾
Diff pressure in the plate in either direction	bar	4
Bakeout temp body	°C	150
Seals		FKM
Weight	kg	6.5

Spare Parts

Seal kit		580187
Actuator		587852

Accessories

Vacuum connection		DN 100 ISO-F
Set of connection elements		580691

¹⁾ Cycle life tested at room temperature and under clean and static conditions. Expandable parts are excluded

²⁾ Opening above atmospheric pressure reduces specified cycle life

Created by: AMT	Release date: 17.04.2015	2/3
Modified by:	Release date:	794720EA



VAT Vakuumventile AG
CH-9469 Haag, Schweiz

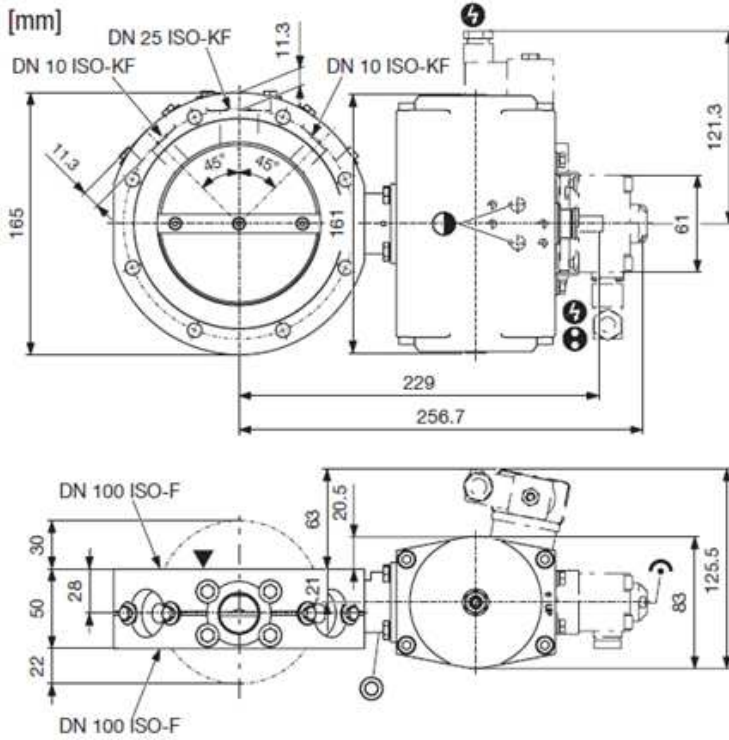
Product data sheet

Butterfly valve

Series 210, DN 100 (4")

Ordering No. 21040-PE14-0003

Dimensions



- ⊙ Leak detection opening
- Compressed air connection
- ⚡ Electrical connection
- ⊕ Position indicator connection
- ▼ Valve seat site
- ⦿ Visual position indicator

Created by: AMT	Release date: 17.04.2015	3/3
Modified by:	Release date:	794720EA