



VAT Vakuumventile AG
CH-9469 Haag, Schweiz

Product data sheet

Butterfly valve
Series 210, DN 100 (4")
Ordering No. 21040-PE44-000.

Description

Flange	ISO-F 100
Actuator	Pneumatic, double acting – with solenoid valve – with position indicator
Feedthrough	Rotary feedthrough
Options	Lateral vacuum connections ISO-KF: 2x DN 10, 1x DN 25

Technical data

Leak rate	– Valve body – Valve seat	$< 1 \cdot 10^{-9}$ mbar ls ⁻¹ $< 1 \cdot 10^{-9}$ mbar ls ⁻¹
Pressure range		$1 \cdot 10^{-8}$ mbar to 1.3 bar (abs)
Differential pressure on the plate	– In opening direction – In closing direction	≤ 1.3 bar ≤ 1.3 bar
Differential pressure at opening		≤ 1.3 bar ¹⁾
Conductance (molecular flow)		1000 ls ⁻¹
Cycles until first service		1.5 million ²⁾
Temperature (Maximum values: depending on operating conditions and sealing materials)	– Valve body – Actuator – Solenoid valve – Position indicator	≤ 150 °C ³⁾ open / ≤ 120 °C closed (bake-out max. 24h) ≤ 80 °C ≤ 50 °C ≤ 80 °C
Heating and cooling rate		40 °C h ⁻¹
Material	– Valve body – Shaft, plate	AISI 304 (1.4301) AISI 304 (1.4301)
Seal	– Bonnet – Gate	FKM (Viton®) FKM (Viton®)
Mounting position		any
Volume of pneumatic actuator		0.6 l / 0.021 ft ³
Compressed air min. – max. overpressure		4 – 6 bar / 58 – 87psi
Compressed air connection		Female G ¼"
Actuation time at 6 bar overpressure	– Closing / Opening	≤ 0.32 s / ≤ 0.52 s
Weight		7.4kg/16.3lb

Created by: BRR	Release date: 17.11.2016	1/2
Modified by:	Release date:	869299EA



VAT Vakuumventile AG
CH-9469 Haag, Schweiz

Product data sheet

Butterfly valve

Series 210, DN 100 (4")

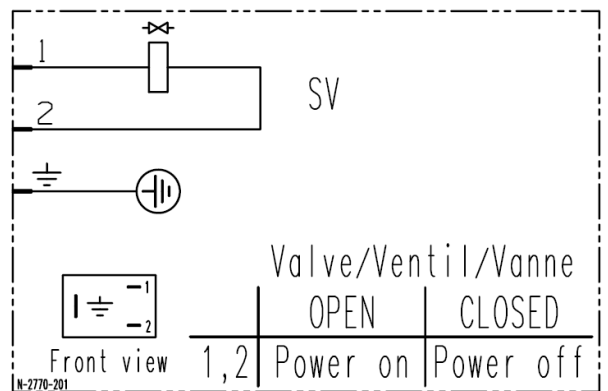
Ordering No. 21040-PE44-000.

Behavior in case of compressed air pressure drop	– Valve closed – Valve open – During actuation	valve remains closed valve remains open undefined
Behavior in case of power failure	– Valve closed – Valve open – During actuation	valve remains closed valve closes valve closes

Electrical connections

Solenoid valve

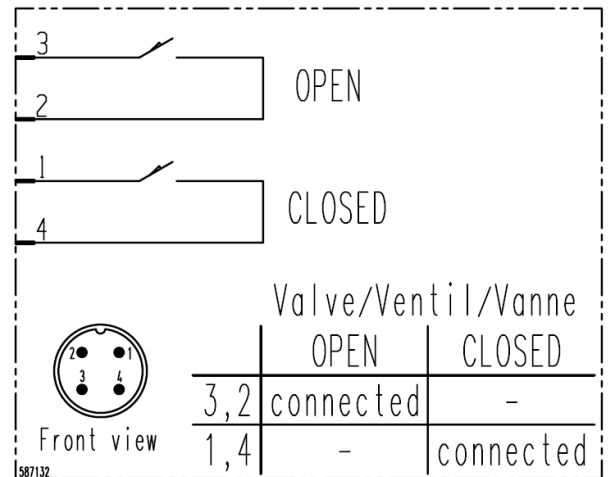
Type	5/2-way, normally closed
Voltage	24 V DC ⁴⁾
Power	5.7 W
Connector	Rectangle plug, Type B (DIN standard)
Cable	Ø6 – 8 mm



Wiring diagram

Position indicator

Type	Micro switch
Voltage	5–30 V DC
Current max.	≤ 0.1A
Cable	Ø6 – 8 mm
Cable cross section	0.75 mm ²
Plug	M12, 4 poles
Protection class	IP65



Wiring diagram

¹⁾: With a reduced specified cycles life

²⁾: Cycle life tested at room temperature and under clean and static conditions. Expandable parts are excluded

³⁾: Depending on operating conditions and sealing material

⁴⁾: Others on request

Created by: BRR	Release date: 17.11.2016	2/2
Modified by:	Release date:	869299EA