



VAT Vakuumventile AG
CH-9469 Haag, Schweiz

Product data sheet

Series 212, DN 16 (5/8")

Ordering No. 21224-KEXX-0002

Pressure Relief Valve

Advantages

- Protects vacuum systems from pressure >1.5bar
- Relief trigger point 1.2 to 1.5 bar differential pressure



Ordering Information

Selection Data

| | |
|-------------------|-----------------|
| Vacuum connection | DN 16 ISO-KF |
| Body | stainless steel |

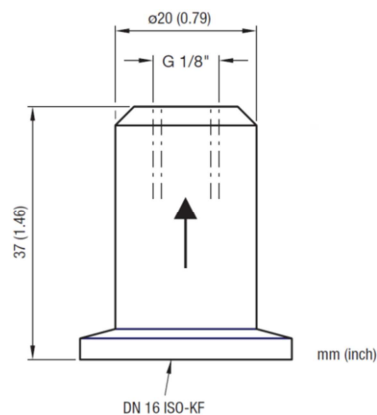
Pressure Relief Valve

| | |
|------|-----------------|
| Type | 21224-KEXX-0002 |
|------|-----------------|

Specifications

| | | |
|----------------------------------|-------------------------|--------------------------------|
| Leak rate | mbar l/s | 1×10^{-9} |
| Pressure range | mbar / bar min / max | 1×10^{-8} / 1.2 (abs) |
| Opening at differential pressure | bar | 1.2 – 1.5 |
| Gas flow | l/min | 0 – 6 |
| Ambient temperature | °C | 0 – 50 |
| Bakeout temperature | °C | 150 |
| Seal | | FKM |
| Weight | kg | 0.46 |

Dimensions



| | | |
|----------------------------|--------------------------|-----------------|
| Created by: T. Eugster | Release date: 2013-08-09 | 1 of 1 |
| Modified by: W. Schwärzler | Release date: 2014-04-16 | 602420EC |