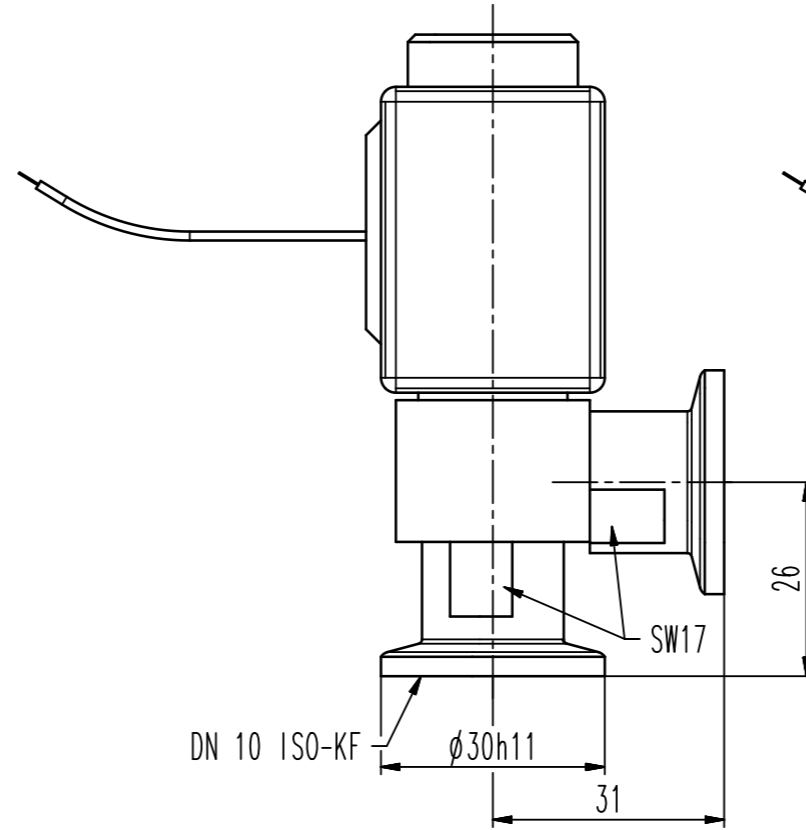
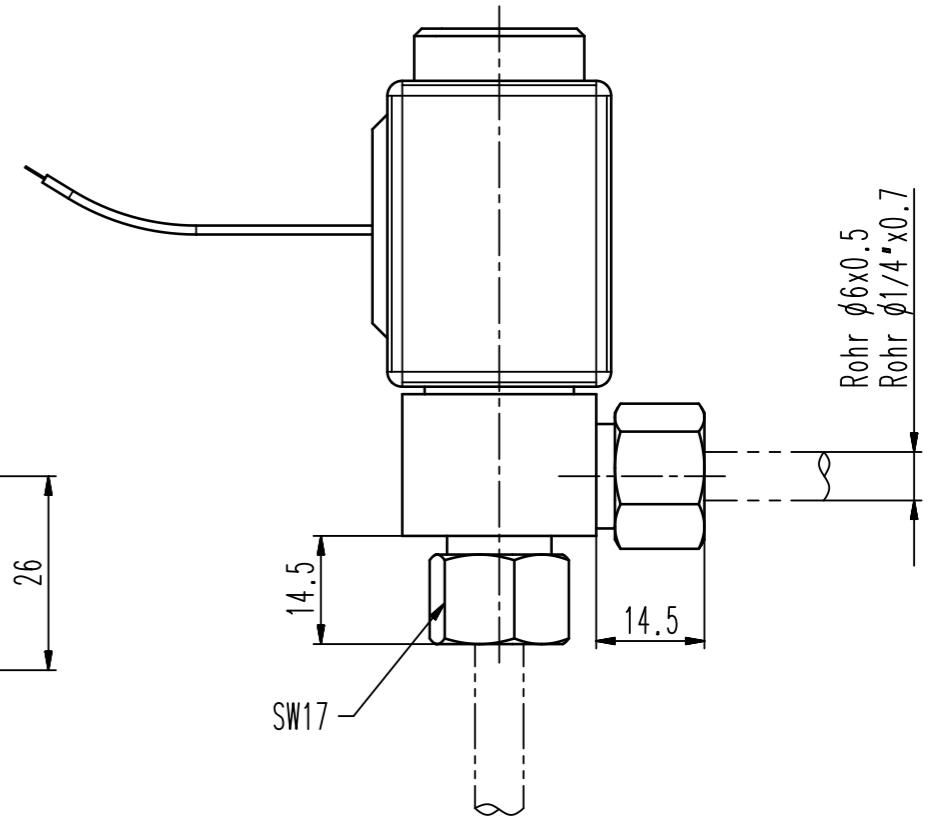


mit Zubehör
DN 10 ISO-KF



mit Zubehör
Rohranschluss ø6
Rohranschluss ø1/4"



- ▼ Seat side
- ⊙ Comp. air connection
- ⊙ Electrical connection
- ⊙ Leak detection port
- ⊙ Mech. pos. indication
- ⊙ Position indicator
- ⊙ Required for dismantling
- ⊙ Emergency actuation
- ⊙ For attachment
- ⊙ Bake-out area
- ⊙ Differential pumping port

Vacuum angle / inline valve



VAT Vakuumventile AG
CH-9469 Haag, Switzerland
Tel ++41 81 7716161 Fax ++41 81 7714830

Rev.-Date: 04.04.13
Visa: SHMA

Series	214	Ordering No.	21414-XE64-0002
Projection E	DN	Flange	
	5	X	
Dimensional Drawing	588178	Rev.	