



VAT Vakuumventile AG
CH-9469 Haag, Schweiz

Product data sheet No. 268349EB

Vacuum Angle Valve, Series 244, DN 16 (ID 5/8 ")

Ordering No. 24424-KA22 or 24424-KE22

Description

Flanges	ISO-KF16
Actuator	- pneumatic, single acting with opening spring - without solenoid - with position indicator "open" and "closed"
Feedthrough	shaft feedthrough

Technical data

Leak rate	- body & valve seat	$< 1 \cdot 10^{-9}$ mbar ls ⁻¹
Molecular flow conductance		5 ls ⁻¹
Pressure range		$1 \cdot 10^{-7}$ mbar to 5 bar, abs
Differential pressure on the plate:		
- in opening direction		≤ 2 bar
- in closing direction		≤ 5 bar
Differential pressure at opening:		
- in opening direction		≤ 1 bar
- in closing direction		≤ 1 bar
		≤ 3 bar with reduced cycle lifetime (min. 450 000)
Closing time		$\leq 0,1$ sec.
Admissible temperature:		
- valve body, actuator		0°C - 120°C
- position indicator		0°C - 80°C (option 120°C)
Cycles until first service		3 million (T _{max} 80°C, differential pressure max. 1 bar)
Material:		
- valve body	24424-KA22	24424-KE22
- pneumatic actuator	Aluminum (AlMgSi)	Stainless Steel (AISI 304)
- valve plate	Aluminum	Aluminum
- feedthrough	AISI 316L	AISI 316L
- bonnet & plate seal	Aluminum	Aluminum
- actuator o-rings	Viton	Viton
	Viton	Viton
Weight	0,3 kg / 0,661 lbs	0,36 kg / 0,794 lbs
Mounting position	any	
Volume of air cylinder	0,004 l / 0,0001 ft ³	
Compressed air pressure for pneumatic	4 - 8 bar / 60 - 115 psi	
Compressed air connection	M5 female (option others)	
Position indicator: contact rating		
- Voltage		≤ 50 V AC / DC
- Current		≤ 0.1 A
- Power		≤ 1 VA / W

Created by: C. Baur	Release date: 2008-05-29	Page 1 of 2
Modified by::	Release date:	268349EB

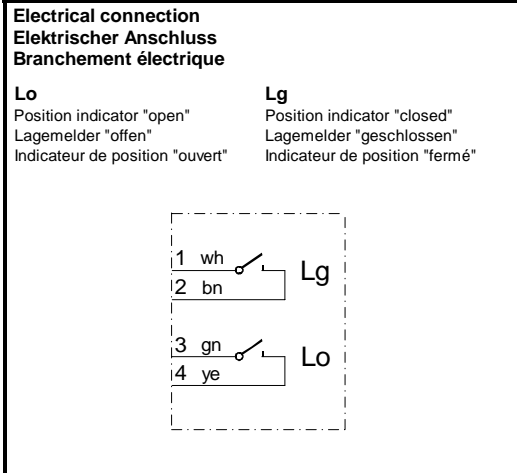


VAT Vakuumventile AG
CH-9469 Haag, Schweiz

Product data sheet No. 268349EB

Vacuum Angle Valve, Series 244, DN 16 (ID 5/8 ")

Ordering No. 24424-KA22 or 24424-KE22



Created by: C. Baur

Release date: 2008-05-29

Page 2 of 2

Modified by::

Release date:

268349EB