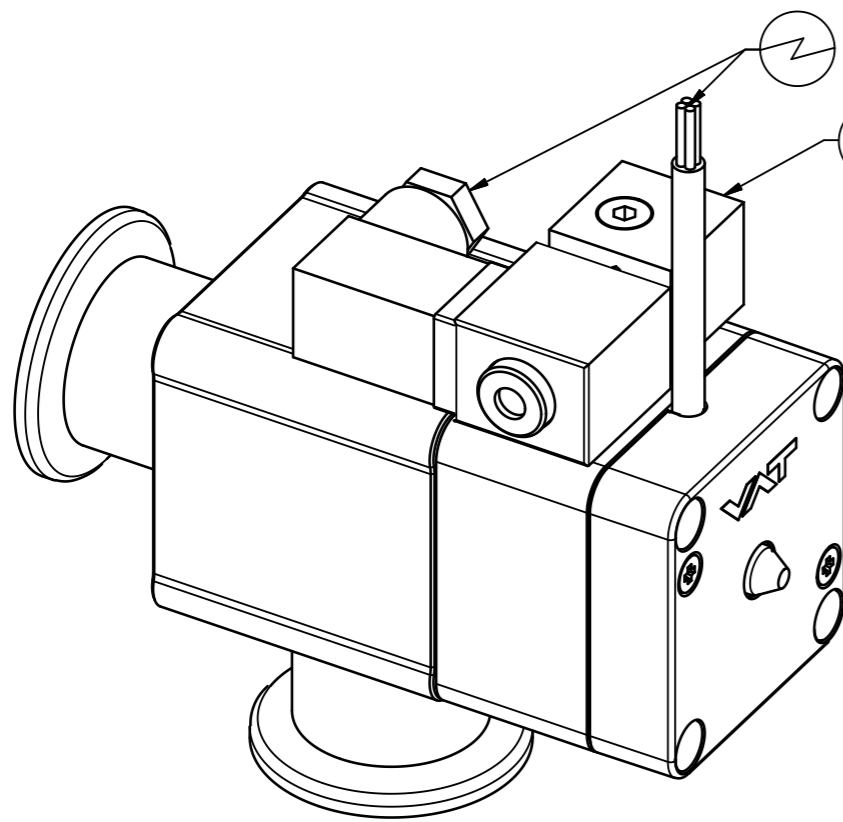
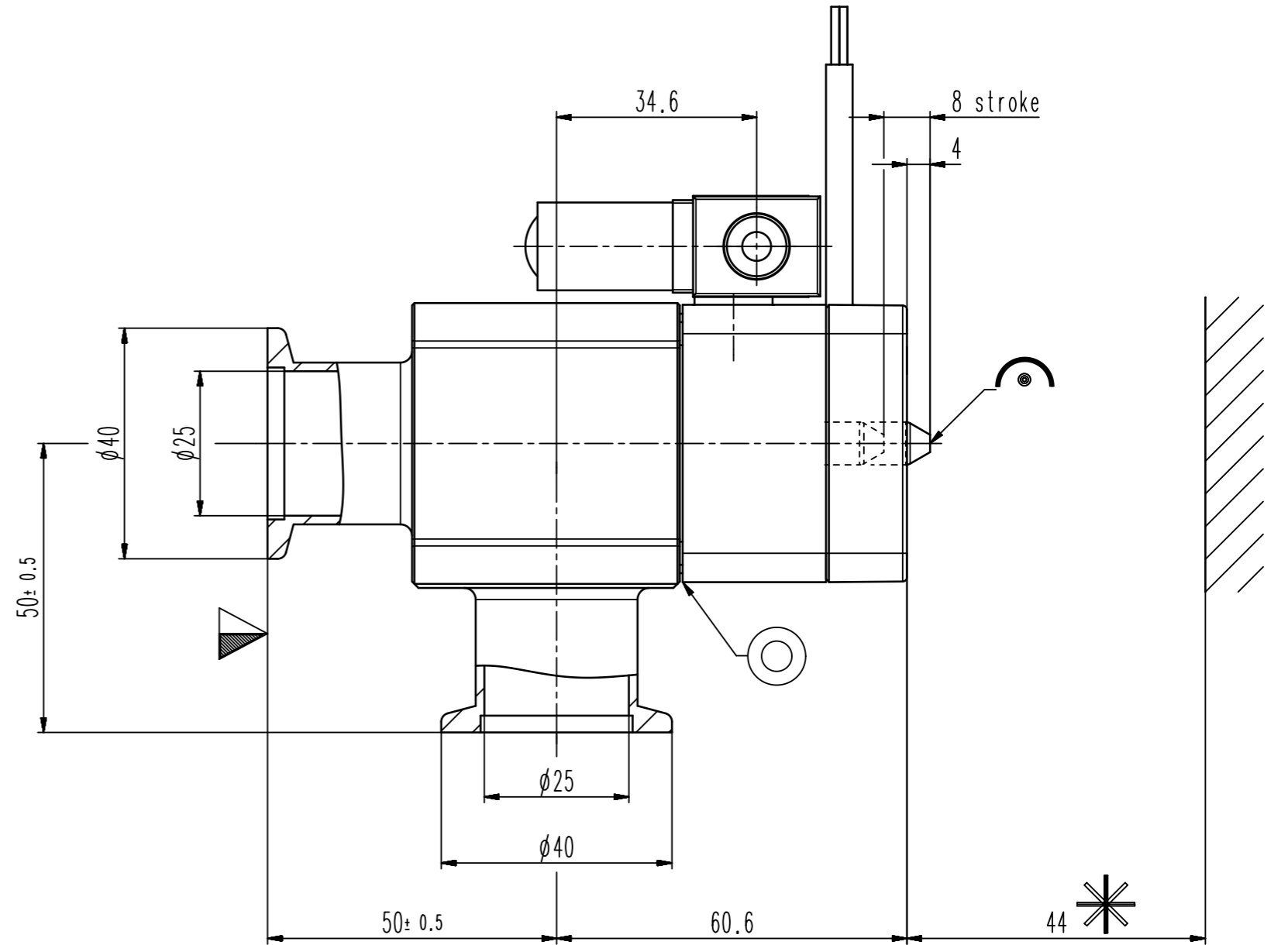
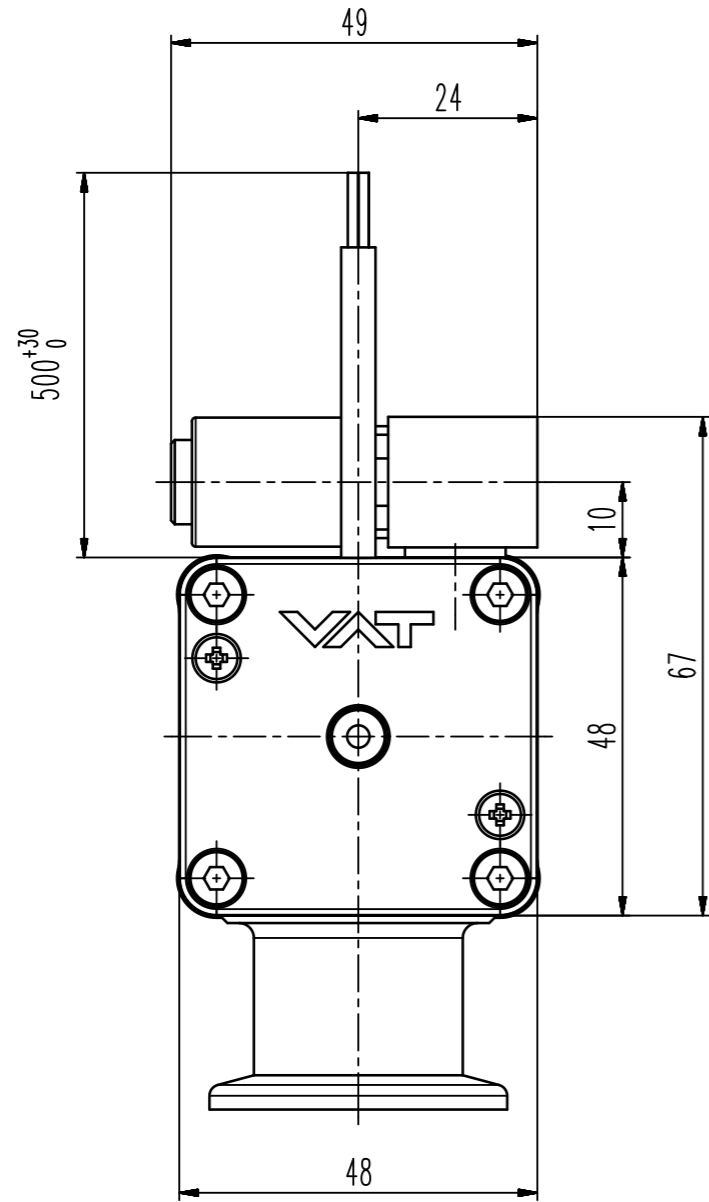


This drawing is the property of VAT.

Revision

Customer number



female M5
4-8 bar

- ▼ Seat side
- ⊙ Comp. air connection
- ⊙ Electrical connection
- ⊙ Leak detection port
- ⊙ Mech. pos. indication
- ⊙ Position indicator
- ⊙ Required for dismantling
- ⊙ Emergency actuation
- ⊙ For attachment
- ⊙ Bake-out area
- ⊙ Differential pumping port

Vacuum angle valve



VAT Vakuumentile AG
CH-9469 Haag, Switzerland
Tel ++41 81 7716161 Fax ++41 81 7714830

Date: 06.06.03
Name: DJP

Series	244	Ordering No.	24428-KA41-0001
Projection E	DN	Flange	
	25	ISO-KF	
Dimensional Drawing	240257	Rev.	B