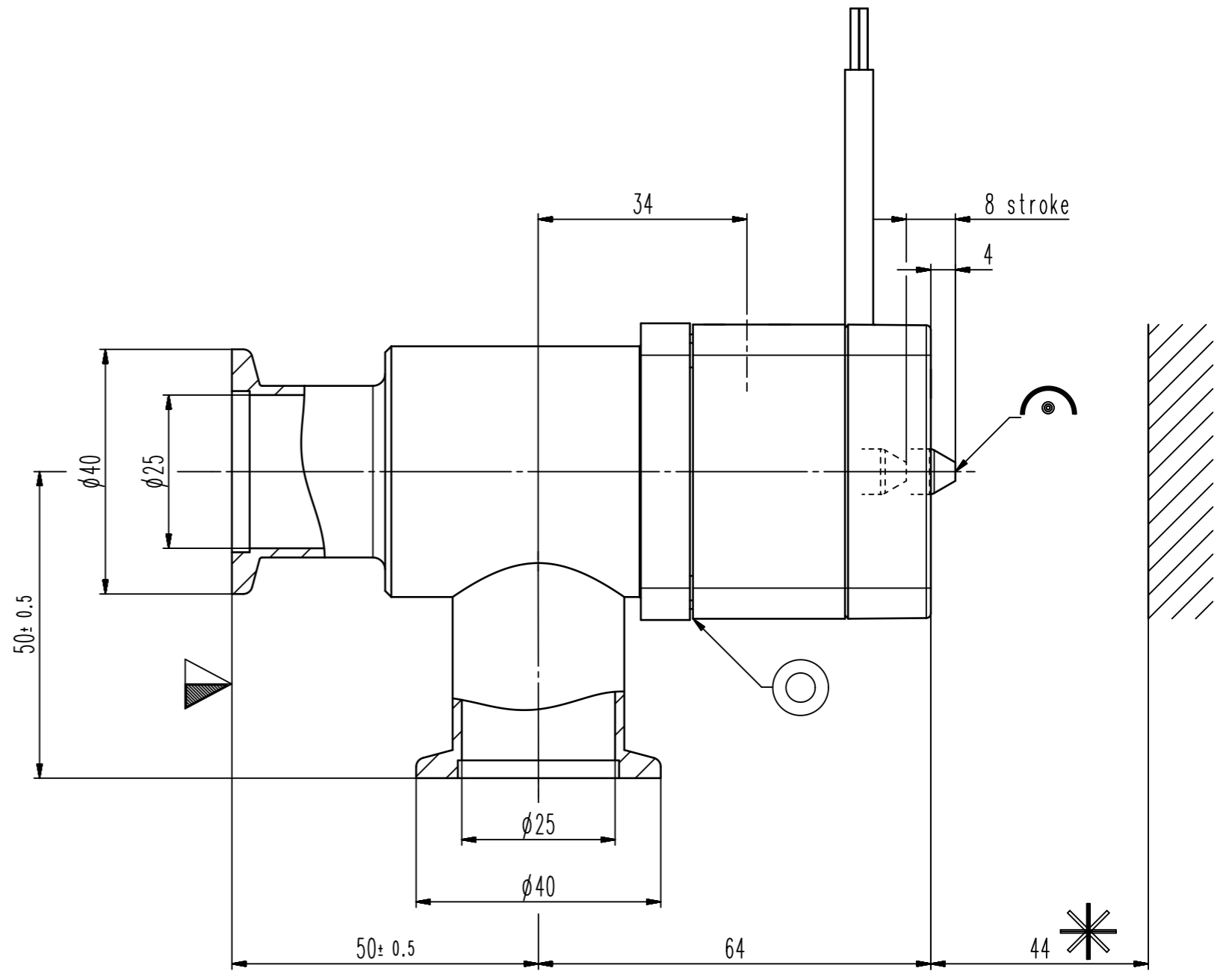
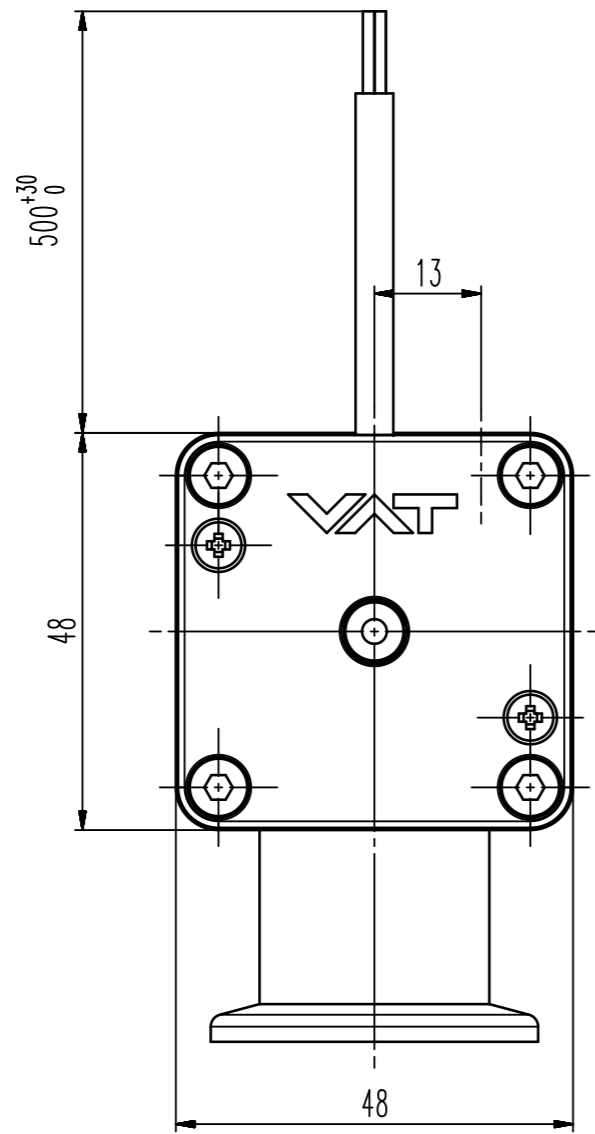


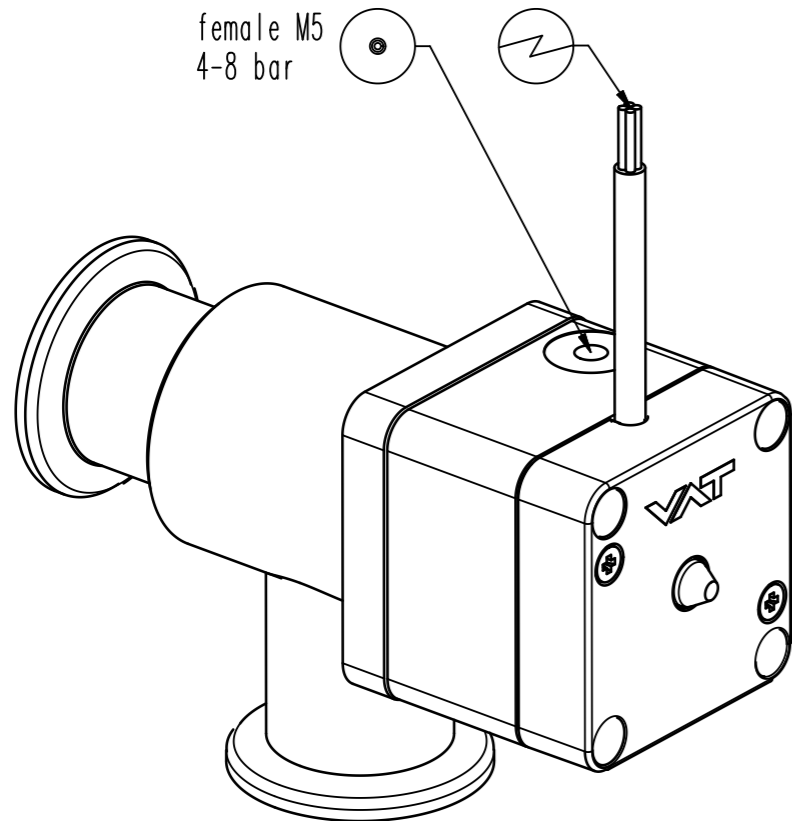
This drawing is the property of VAT.

Revision

Customer number



female M5
4-8 bar



- ▼ Seat side
- Comp. air connection
- Electrical connection
- Leak detection port
- Mech. pos. indication
- Position indicator
- Required for dismantling
- Emergency actuation
- For attachment
- Bake-out area
- Differential pumping port

Vacuum angle valve



VAT Vakuumentile AG
CH-9469 Haag, Switzerland
Tel ++41 81 7716161 Fax ++41 81 7714830

Date: 07.09.06
Name: BCH

Series	244	Ordering No.	24428-KE21-0001
Projection E		DN	25
		Flange	ISO-KF
Dimensional Drawing			325548
		Rev.	A