



VAT Vakuumventile AG  
CH-9469 Haag, Schweiz

## Product data sheet No. 243620EB

**Vacuum Angle Valve, Series 244, DN 25 (ID 1 ")**

**Ordering No. 24428-KA31 or 24428-KE31**

### Description

Flanges	ISO-KF25
Actuator	- pneumatic, single acting with closing spring - with solenoid - without position indicator
Feedthrough	shaft feedthrough

### Technical data

Leak rate	- body & valve seat	$< 1 \cdot 10^{-9}$ mbar ls <sup>-1</sup>
Molecular flow conductance		14 ls <sup>-1</sup>
Pressure range		$1 \cdot 10^{-7}$ mbar to 5 bar, abs
Differential pressure on the plate:		
- in opening direction		≤ 2 bar
- in closing direction		≤ 5 bar
Differential pressure at opening:		
- in opening direction		≤ 1 bar
- in closing direction		≤ 1 bar
		≤ 3 bar with reduced cycle lifetime (min. 450 000) (compressed air pressure > 5 bar required to open)
Closing time		≤ 0,2 sec.
Admissible temperature:		
- valve body, actuator		0°C - 120°C
- solenoid		0°C - 80°C
Cycles until first service		3 million (T <sub>max</sub> 80°C, differential pressure max. 1 bar)
Material:		
- valve body	<b>24428-KA31</b>	<b>24428-KE31</b>
- pneumatic actuator	Aluminum (AlMgSi)	Stainless Steel (AISI 304)
- valve plate	Aluminum	Aluminum
- feedthrough	AISI 316L	AISI 316L
- bonnet & plate seal	Aluminum	Aluminum
- actuator o-rings	Viton	Viton
	Viton	Viton
Weight	0,48 kg / 1,058 lbs	0,58 kg / 1,278 lbs
Mounting position	any	
Volume of air cylinder	0,011 l / 0,0004 ft <sup>3</sup>	
Compressed air pressure for pneumatic	4 - 8 bar / 60 - 115 psi	
Compressed air connection	M5 female (option others)	
Solenoid	24V / DC (option others)	

Created by: C. Baur	Release date: 2005.03.16	Page 1 of 2
Modified by::	Release date:	<b>243620EB</b>

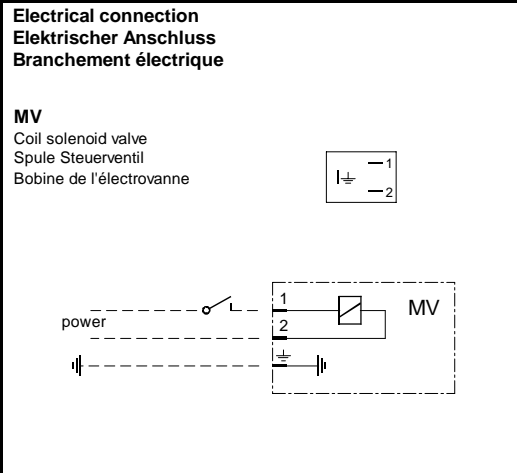


VAT Vakuumventile AG  
CH-9469 Haag, Schweiz

## Product data sheet No. 243620EB

Vacuum Angle Valve, Series 244, DN 25 (ID 1 ")

Ordering No. 24428-KA31 or 24428-KE31



Created by: C. Baur

Release date: 2005.03.16

Page 2 of 2

Modified by::

Release date:

**243620EB**