



VAT Vakuumventile AG
CH-9469 Haag, Schweiz

Product data sheet

Vacuum angle valve, Series 244, DN 25 (ID 1 ")
Ordering No. 24428-KE42-0001

Description

| | |
|-------------|--|
| Flange | ISO-KF 25 |
| Actuator | Pneumatic, single acting with opening spring – with solenoid valve – with position indicator “open” and “closed” |
| Feedthrough | Shaft feedthrough |

Technical data

| | | |
|--|--|--|
| Leak rate | – Valve body – Valve seat | $< 1 \cdot 10^{-9}$ mbar ls ⁻¹ $< 1 \cdot 10^{-9}$ mbar ls ⁻¹ |
| Pressure range | | $1 \cdot 10^{-7}$ mbar to 5 bar (abs) |
| Differential pressure on the plate | – In opening direction – In closing direction | ≤ 2 bar ≤ 5 bar |
| Differential pressure at opening | | ≤ 1 bar ≤ 3 bar with reduced cycle lifetime (min. 450 000) |
| Conductance (molecular flow) | | 14 ls ⁻¹ |
| Closing time | | ≤ 0.15 sec. |
| Cycles until first service (Tmax 80°C, differential pressure max. 1 bar) | | 3 million |
| Admissible Temperature | – Valve body – Actuator – Solenoid valve – Position indicator | ≤ 150 °C ≤ 120 °C ≤ 80 °C ≤ 80 °C |
| Material | – Valve body – Actuator – Plate – Shaft feedthrough | AISI 304 (1.4301) Aluminum AISI 316L (1.4435 ESU) Stainless Steel |
| Seal | – Bonnet O-ring – Plate O-ring – Actuator O-ring | FKM (Viton®) FKM (Viton®) FKM (Viton®) |
| Weight | | 0.6 kg / 1.32lbs |
| Mounting position | | any |
| Volume of pneumatic actuator | | 0.011 l / 0.0004 ft ³ |
| Compressed air min. – max. overpressure | | 4 – 8 bar / 60 – 115 psi |
| Compressed air connection | | M5 female (10-32 UNF suitable) |

| | | |
|-----------------------|--------------------------|-----------------|
| Created by: R. Walser | Release date: 2013-07-11 | Page 1 of 2 |
| Modified by: | Release date: | 603311EA |



VAT Vakuumentile AG
CH-9469 Haag, Schweiz

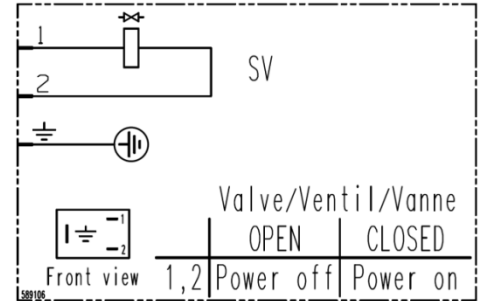
Product data sheet

Vacuum angle valve, Series 244, DN 25 (ID 1 ")
Ordering No. 24428-KE42-0001

Electrical connections

Solenoid valve

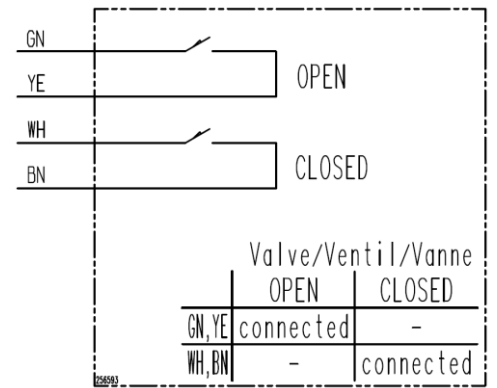
| | |
|-----------|--|
| Type | 3/2-way |
| Voltage | See solenoid |
| Power | See solenoid |
| Connector | Rectangle plug, Type B (DIN standard) |
| Cable | Ø6 – 8 mm |



Wiring diagram

Position indicator

| | |
|-------------------------|----------------------|
| Type | Micro switch |
| Voltage | ≤ 50 V AC / DC |
| Current | 5 – 100 mA |
| Short circuit protected | No |
| Connection | Cable, 4 wires |
| Cable length | 500 mm |
| Cable cross section | 0.25 mm ² |



Wiring diagram