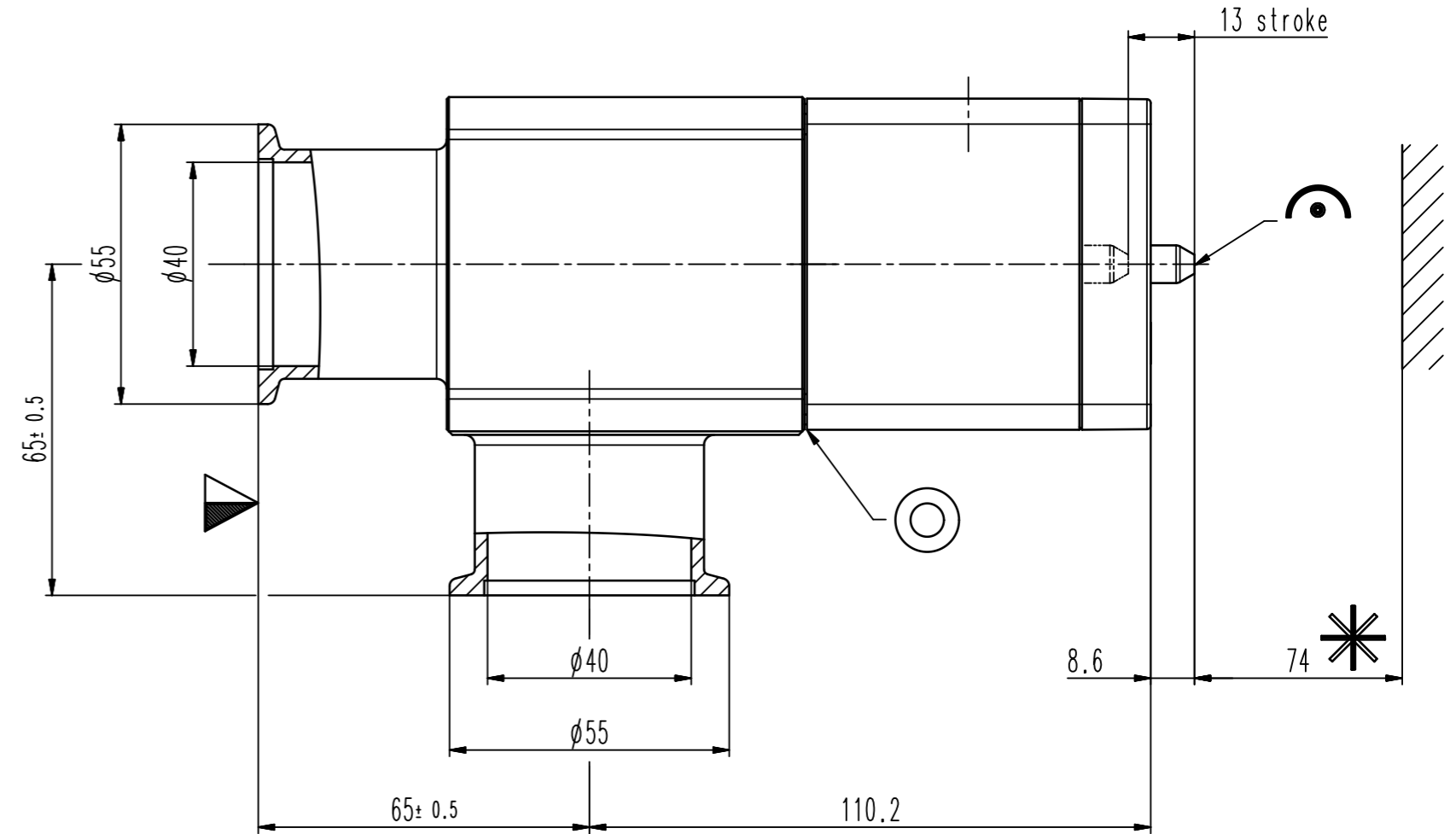
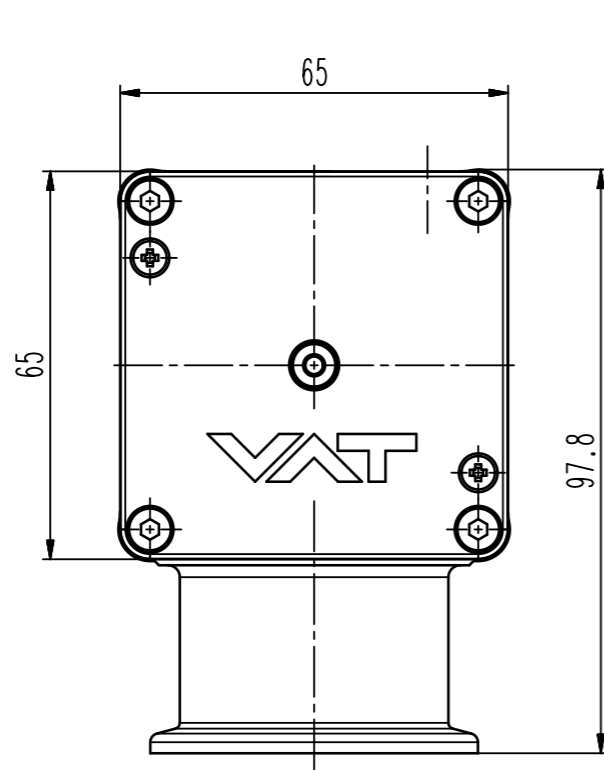


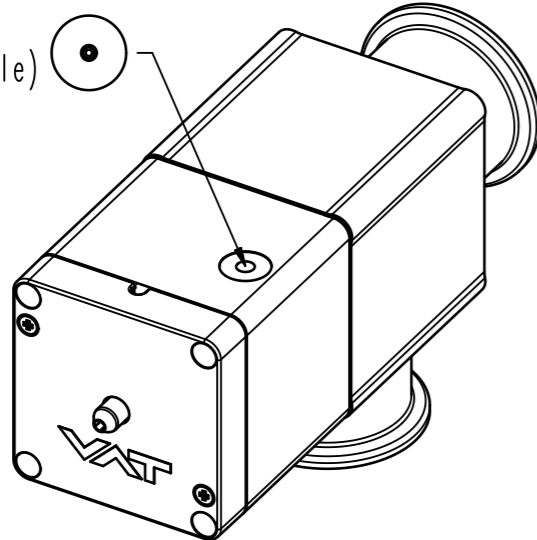
This drawing is the property of VAT.

Revision

Customer number



female M5  
(10-32 UNF suitable)  
4-8 bar



- ▼ Seat side
- Comp. air connection
- Electrical connection
- Leak detection port
- Mech. pos. indication
- Position indicator
- \* Required for dismantling
- Emergency actuation
- For attachment
- Bake-out area
- Differential pumping port

vacuum angle valve



VAT Vakuumventile AG

CH-9469 Haag, Switzerland  
Tel ++41 81 7716161 Fax ++41 81 7714830

Rev.-Date: 05.07.13

Visa: RIA

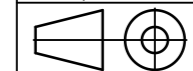
Series

244

Ordering No.

24432-KA12-0001

Projection E



DN

40

Flange

ISO-KF

Dimensional Drawing

701485

Rev.

VAT/DA