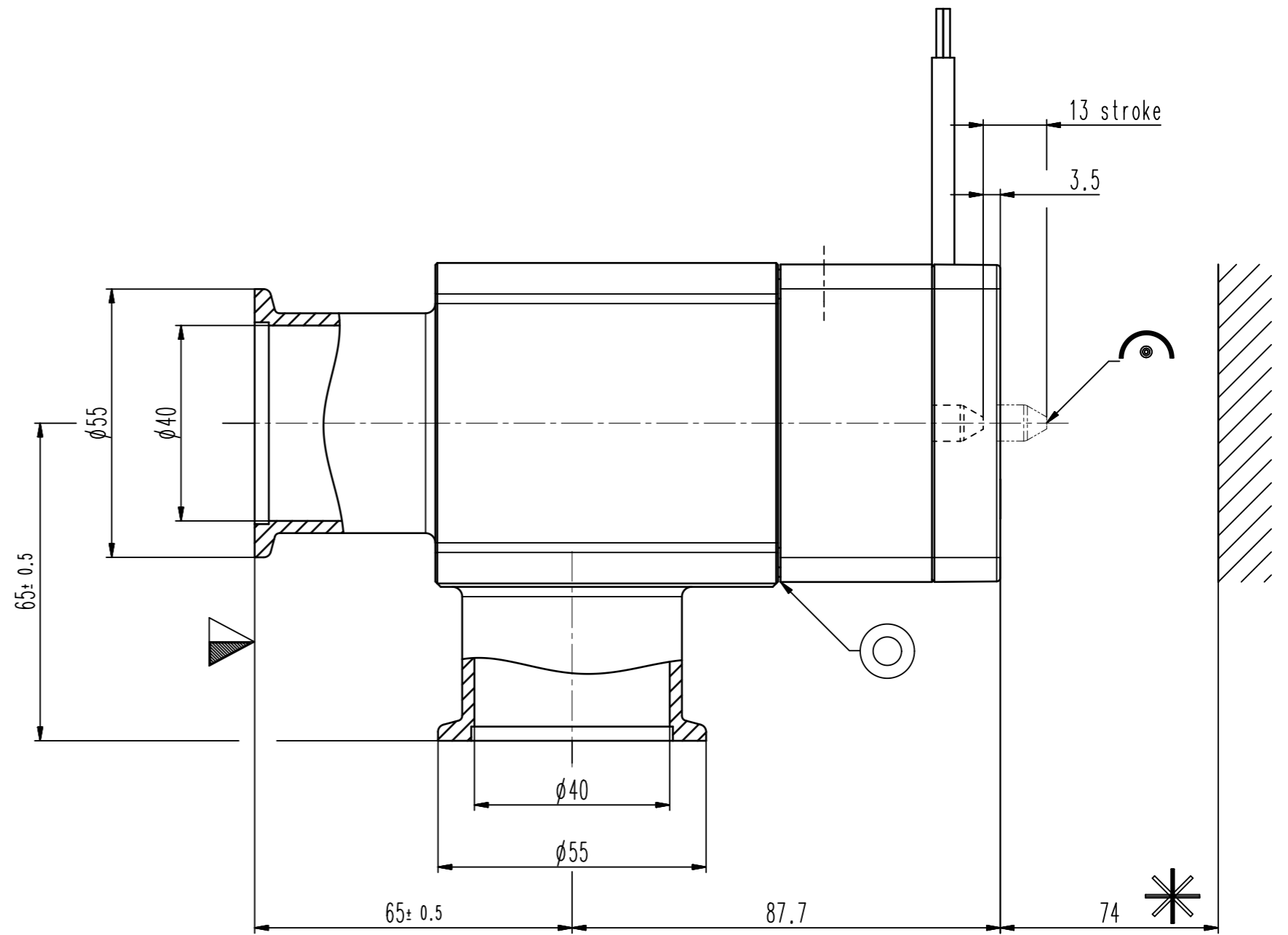
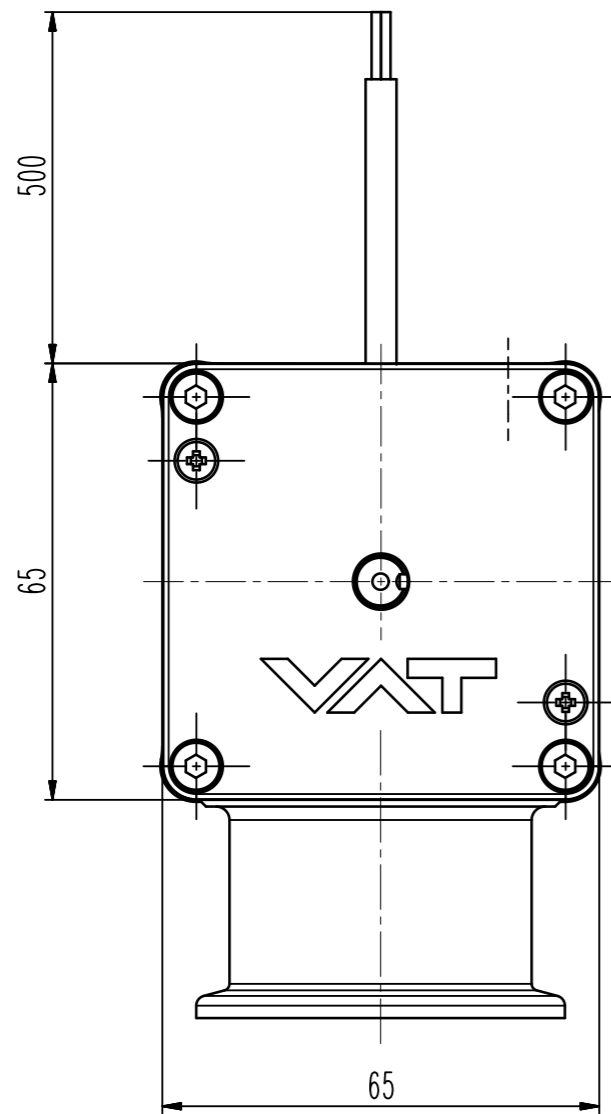


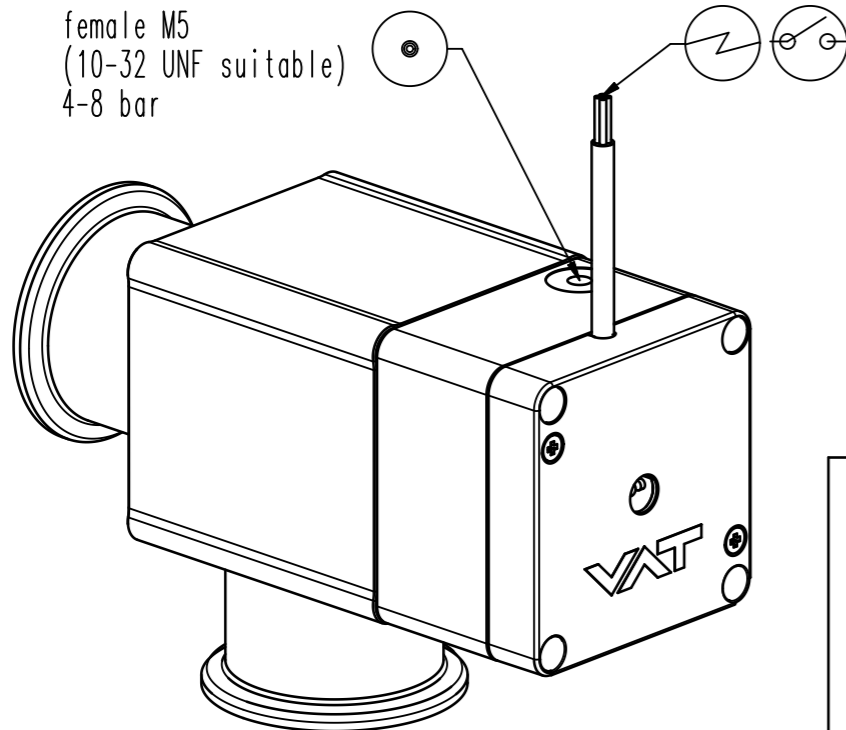
This drawing is the property of VAT.

Revision

Customer number



female M5  
(10-32 UNF suitable)  
4-8 bar



- ▼ Seat side
- ⊙ Comp. air connection
- ⊙ Electrical connection
- ⊙ Leak detection port
- ⊙ Mech. pos. indication
- ⊙ Position indicator
- ⊙ Required for dismantling
- ⊙ Emergency actuation
- ⊙ For attachment
- ⊙ Bake-out area
- ⊙ Differential pumping port

### Vacuum angle valve



VAT Vakuumventile AG

CH-9469 Haag, Switzerland  
Tel ++41 81 7716161 Fax ++41 81 7714830

Rev.-Date: 26.05.09

Visa: HAL

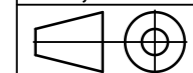
Series

244

Ordering No.

24432-KA21-0001

Projection E



DN

40

Flange

ISO-KF

Dimensional Drawing

240331

Rev.

A

VAT/DA