



VAT Vakuumventile AG
CH-9469 Haag, Schweiz

Product data sheet No. 243622EB

Vacuum Angle Valve, Series 244, DN 40 (ID 1 1/2 ")

Ordering No. 24432-KA21 or 24432-KE21

Description

Flanges	ISO-KF40
Actuator	- pneumatic, single acting with closing spring - without solenoid - with position indicator "open" and "closed"
Feedthrough	shaft feedthrough

Technical data

Leak rate	- body & valve seat	$< 1 \cdot 10^{-9}$ mbar ls ⁻¹
Molecular flow conductance		45 ls ⁻¹
Pressure range		$1 \cdot 10^{-7}$ mbar to 5 bar, abs
Differential pressure on the plate:		
- in opening direction		≤ 2 bar
- in closing direction		≤ 5 bar
Differential pressure at opening:		
- in opening direction		≤ 1 bar
- in closing direction		≤ 1 bar
		≤ 3 bar with reduced cycle lifetime (min. 450 000) (compressed air pressure > 5 bar required to open)
Closing time		$\leq 0,55$ sec.
Admissible temperature:		
- valve body, actuator		0°C - 120°C
- position indicator		0°C - 80°C (option 120°C)
Cycles until first service		3 million (T_{max} 80°C, differential pressure max. 1 bar)
Material:		
- valve body	24432-KA21	24432-KE21
- pneumatic actuator	Aluminum (AlMgSi)	Stainless Steel (AISI 304)
- valve plate	Aluminum	Aluminum
- feedthrough	AISI 316L	AISI 316L
- bonnet & plate seal	Aluminum	Aluminum
- actuator o-rings	Viton	Viton
	Viton	Viton
Weight	1,0 kg / 2,2 lbs	1,13 kg / 2,5 lbs
Mounting position	any	
Volume of air cylinder	0,035 l / 0,0012 ft ³	
Compressed air pressure for pneumatic	4 - 8 bar / 60 - 115 psi	
Compressed air connection	M5 female (option others)	
Position indicator: contact rating		
- Voltage		$\leq 50V$ AC / DC
- Current		$\leq 0.1A$
- Power		≤ 1 W

Created by: C. Baur	Release date: 2005.03.16	Page 1 of 2
Modified by::	Release date:	243622EB

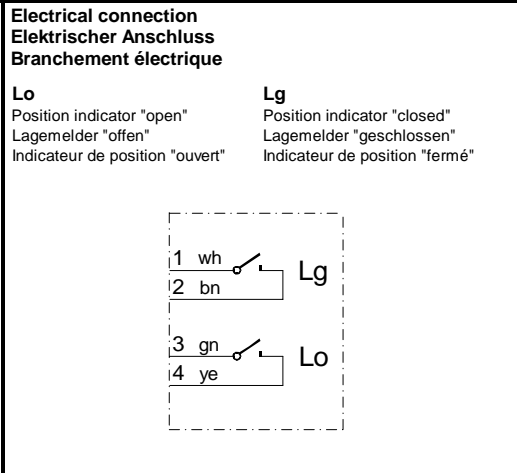


VAT Vakuumventile AG
CH-9469 Haag, Schweiz

Product data sheet No. 243622EB

Vacuum Angle Valve, Series 244, DN 40 (ID 1 1/2 ")

Ordering No. 24432-KA21 or 24432-KE21



Created by: C. Baur

Release date: 2005.03.16

Page 2 of 2

Modified by::

Release date:

243622EB