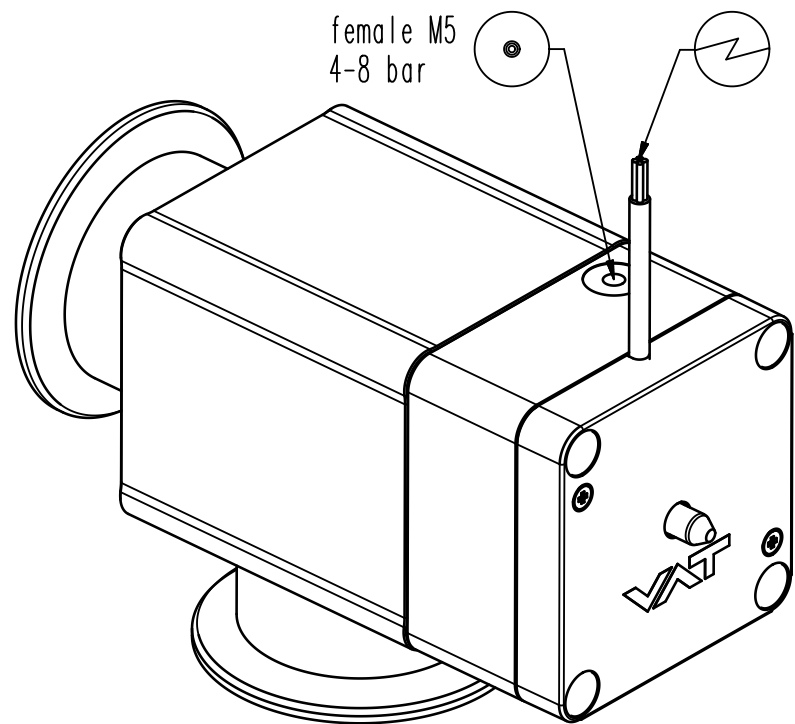
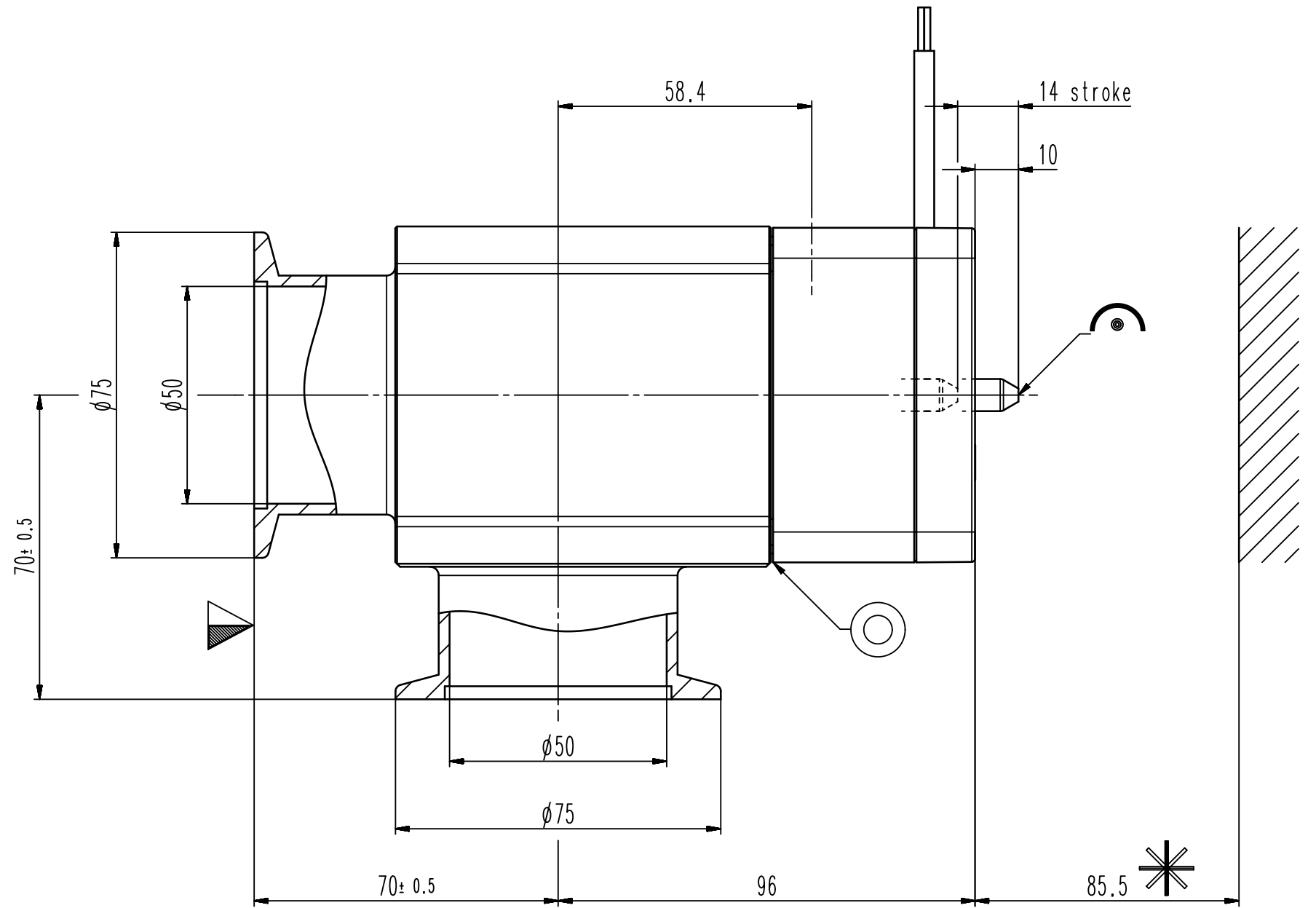
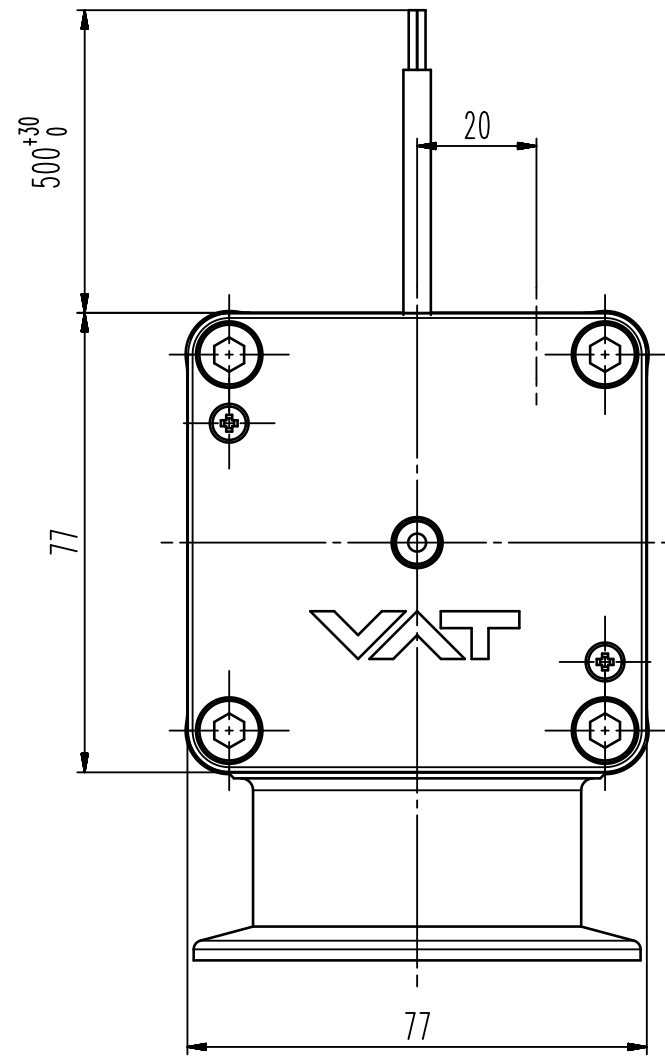


This drawing is the property of VAT.

Revision

Customer number



- ▼ Seat side
- Comp. air connection
- Electrical connection
- Leak detection port
- Mech. pos. indication
- Position indicator
- Required for dismantling
- Emergency actuation
- For attachment
- Bake-out area
- Differential pumping port

### Vacuum angle valve



VAT Vakuumentile AG  
 CH-9469 Haag, Switzerland  
 Tel ++41 81 7716161 Fax ++41 81 7714830

Date: 26.01.05  
 Name: BCH

Series	244	Ordering No.	24434-KA21-0001
Projection E		DN	50
		Flange	ISO-KF
Dimensional Drawing		258364	Rev. A